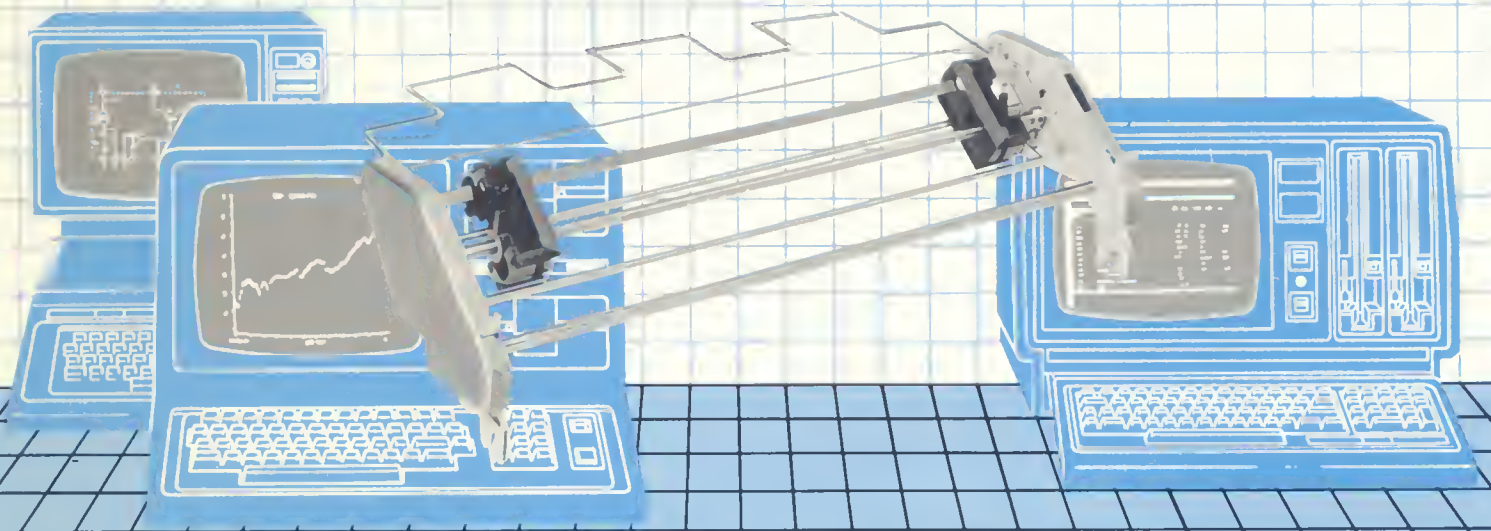


TRS-80[®]

Bi-Directional Tractor Kit
for
DMP-2100
OPERATION MANUAL
Catalog Number 26-1441



Radio Shack[®]

TRS-80

**COMPUTER
PRODUCTS**

CUSTOM MANUFACTURED FOR RADIO SHACK, A DIVISION OF TANDY CORPORATION

SERVICE POLICY

Radio Shack's nationwide network of service facilities provides quick, convenient, and reliable repair services for all of its computer products, in most instances. Warranty service will be performed in accordance with Radio Shack's Limited Warranty. Non-warranty service will be provided at reasonable parts and labor costs.

Because of the sensitivity of computer equipment, and the problems which can result from improper servicing, the following limitations also apply to the services offered by Radio Shack:

1. If any of the warranty seals on any Radio Shack computer products are broken, Radio Shack reserves the right to refuse to service the equipment or to void any remaining warranty on the equipment.
2. If any Radio Shack computer equipment has been modified so that it is not within manufacturer's specifications, including, but not limited to, the installation of any non-Radio Shack parts, components, or replacement boards, then Radio Shack reserves the right to refuse to service the equipment, void any remaining warranty, remove and replace any non-Radio Shack part found in the equipment, and perform whatever modifications are necessary to return the equipment to original factory manufacturer's specifications.
3. The cost for the labor and parts required to return the Radio Shack computer equipment to original manufacturer's specifications will be charged to the customer in addition to the normal repair charge.

TERMS AND CONDITIONS OF SALE AND LICENSE OF RADIO SHACK COMPUTER EQUIPMENT AND SOFTWARE
PURCHASED FROM A RADIO SHACK COMPANY-OWNED COMPUTER CENTER, RETAIL STORE OR FROM A
RADIO SHACK FRANCHISEE OR DEALER AT ITS AUTHORIZED LOCATION

LIMITED WARRANTY

I. CUSTOMER OBLIGATIONS

- A. CUSTOMER assumes full responsibility that this Radio Shack computer hardware purchased (the "Equipment"), and any copies of Radio Shack software included with the Equipment or licensed separately (the "Software") meets the specifications, capacity, capabilities, versatility, and other requirements of CUSTOMER.
- B. CUSTOMER assumes full responsibility for the condition and effectiveness of the operating environment in which the Equipment and Software are to function, and for its installation.

II. RADIO SHACK LIMITED WARRANTIES AND CONDITIONS OF SALE

- A. For a period of ninety (90) calendar days from the date of the Radio Shack sales document received upon purchase of the Equipment, RADIO SHACK warrants to the original CUSTOMER that the Equipment and the medium upon which the Software is stored is free from manufacturing defects. THIS WARRANTY IS ONLY APPLICABLE TO PURCHASES OF RADIO SHACK EQUIPMENT BY THE ORIGINAL CUSTOMER FROM RADIO SHACK COMPANY-OWNED COMPUTER CENTERS, RETAIL STORES AND FROM RADIO SHACK FRANCHISEES AND DEALERS AT ITS AUTHORIZED LOCATION. The warranty is void if the Equipment's case or cabinet has been opened, or if the Equipment or Software has been subjected to improper or abnormal use. If a manufacturing defect is discovered during the stated warranty period, the defective Equipment must be returned to a Radio Shack Computer Center, a Radio Shack retail store, participating Radio Shack franchisee or Radio Shack dealer for repair, along with a copy of the sales document or lease agreement. The original CUSTOMER'S sole and exclusive remedy in the event of a defect is limited to the correction of the defect by repair, replacement, or refund of the purchase price, at RADIO SHACK'S election and sole expense. RADIO SHACK has no obligation to replace or repair expendable items.
- B. RADIO SHACK makes no warranty as to the design, capability, capacity, or suitability for use of the Software, except as provided in this paragraph. Software is licensed on an "AS IS" basis, without warranty. The original CUSTOMER'S exclusive remedy, in the event of a Software manufacturing defect, is its repair or replacement within thirty (30) calendar days of the date of the Radio Shack sales document received upon license of the Software. The defective Software shall be returned to a Radio Shack Computer Center, a Radio Shack retail store, participating Radio Shack franchisee or Radio Shack dealer along with the sales document.
- C. Except as provided herein no employee, agent, franchisee, dealer or other person is authorized to give any warranties of any nature on behalf of RADIO SHACK.
- D. Except as provided herein, **RADIO SHACK MAKES NO WARRANTIES, INCLUDING WARRANTIES OF MERCHANTABILITY OR FITNESS FOR A PARTICULAR PURPOSE.**
- E. Some states do not allow limitations on how long an implied warranty lasts, so the above limitation(s) may not apply to CUSTOMER.

III. LIMITATION OF LIABILITY

- A. EXCEPT AS PROVIDED HEREIN, RADIO SHACK SHALL HAVE NO LIABILITY OR RESPONSIBILITY TO CUSTOMER OR ANY OTHER PERSON OR ENTITY WITH RESPECT TO ANY LIABILITY, LOSS OR DAMAGE CAUSED OR ALLEGED TO BE CAUSED DIRECTLY OR INDIRECTLY BY "EQUIPMENT" OR "SOFTWARE" SOLO, LEASED, LICENSED OR FURNISHED BY RADIO SHACK, INCLUDING, BUT NOT LIMITED TO, ANY INTERRUPTION OF SERVICE, LOSS OF BUSINESS OR ANTICIPATORY PROFITS OR CONSEQUENTIAL DAMAGES RESULTING FROM THE USE OR OPERATION OF THE "EQUIPMENT" OR "SOFTWARE". IN NO EVENT SHALL RADIO SHACK BE LIABLE FOR LOSS OF PROFITS, OR ANY INJOINT, SPECIAL, OR CONSEQUENTIAL DAMAGES ARISING OUT OF ANY BREACH OF THIS WARRANTY OR IN ANY MANNER ARISING OUT OF OR CONNECTED WITH THE SALE, LEASE, LICENSE, USE OR ANTICIPATED USE OF THE "EQUIPMENT" OR "SOFTWARE".

NOTWITHSTANDING THE ABOVE LIMITATIONS AND WARRANTIES, RADIO SHACK'S LIABILITY HEREUNDER FOR DAMAGES INCURRED BY CUSTOMER OR OTHERS SHALL NOT EXCEED THE AMOUNT PAID BY CUSTOMER FOR THE PARTICULAR "EQUIPMENT" OR "SOFTWARE" INVOLVED.
- B. RADIO SHACK shall not be liable for any damages caused by delay in delivering or furnishing Equipment and/or Software.
- C. No action arising out of any claimed breach of this Warranty or transactions under this Warranty may be brought more than two (2) years after the cause of action has accrued or more than four (4) years after the date of the Radio Shack sales document for the Equipment or Software, whichever first occurs.
- D. Some states do not allow the limitation or exclusion of incidental or consequential damages, so the above limitation(s) or exclusion(s) may not apply to CUSTOMER.

IV. RADIO SHACK SOFTWARE LICENSE

RADIO SHACK grants to CUSTOMER a non-exclusive, paid-up license to use the RADIO SHACK Software on **one** computer, subject to the following provisions:

- A. Except as otherwise provided in this Software License, applicable copyright laws shall apply to the Software.
- B. Title to the medium on which the Software is recorded (cassette and/or diskette) or stored (ROM) is transferred to CUSTOMER, but not title to the Software.
- C. CUSTOMER may use Software on one host computer and access that Software through one or more terminals if the Software permits this function.
- D. CUSTOMER shall not use, make, manufacture, or reproduce copies of Software except for use on **one** computer and as is specifically provided in this Software License. Customer is expressly prohibited from disassembling the Software.
- E. CUSTOMER is permitted to make additional copies of the Software **only** for backup or archival purposes or if additional copies are required in the operation of **one** computer with the Software, but only to the extent the Software allows a backup copy to be made. However, for TRSOOS Software, CUSTOMER is permitted to make a limited number of additional copies for CUSTOMER'S own use.
- F. CUSTOMER may resell or distribute unmodified copies of the Software provided CUSTOMER has purchased one copy of the Software for each one sold or distributed. The provisions of this Software License shall also be applicable to third parties receiving copies of the Software from CUSTOMER.
- G. All copyright notices shall be retained on all copies of the Software.

V. APPLICABILITY OF WARRANTY

- A. The terms and conditions of this Warranty are applicable as between RADIO SHACK and CUSTOMER to either a sale of the Equipment and/or Software License to CUSTOMER or to a transaction whereby RADIO SHACK sells or conveys such Equipment to a third party for lease to CUSTOMER.
- B. The limitations of liability and Warranty provisions herein shall inure to the benefit of RADIO SHACK, the author, owner and/or licensor of the Software and any manufacturer of the Equipment sold by RADIO SHACK.

VI. STATE LAW RIGHTS

The warranties granted herein give the **original** CUSTOMER specific legal rights, and the **original** CUSTOMER may have other rights which vary from state to state.

Contents

Introduction.....	3
1/ Description of the Tractor Feed Kit.....	5
2/ Setting Up the Tractor Feed Kit	7
Loading Paper.....	9
Removing the Tractor Feed Kit.....	11
3/ Hints and Tips On Using the Tractor Feed Kit.....	13
4/ Specifications.....	15

Introduction

Congratulations for selecting this Radio Shack Computer Product!

This Bi-Directional Tractor Feed Kit, especially designed for our DMP-2100 Printer (Radio Shack Catalog Number 26-1256), is a high-quality, reliable Tractor Feed which will help your Printer operate more efficiently than ever before.

Its special features include:

- Quick and simple installation or removal for easy access to the Printer, or for installing other types of paper feeders.
- Bi-directional control that prevents paper jamming as it moves forward or backward.
- Sprocket-controlled paper advancement that keeps fanfold paper uniformly straight and tight as it enters and leaves the Printer.
- Adjustable Paper Clamps that accept paper up to 15'' wide.
- Paper Separators that keep paper separated as it enters and leaves the Printer.

1/ Description of the Tractor Feed Kit

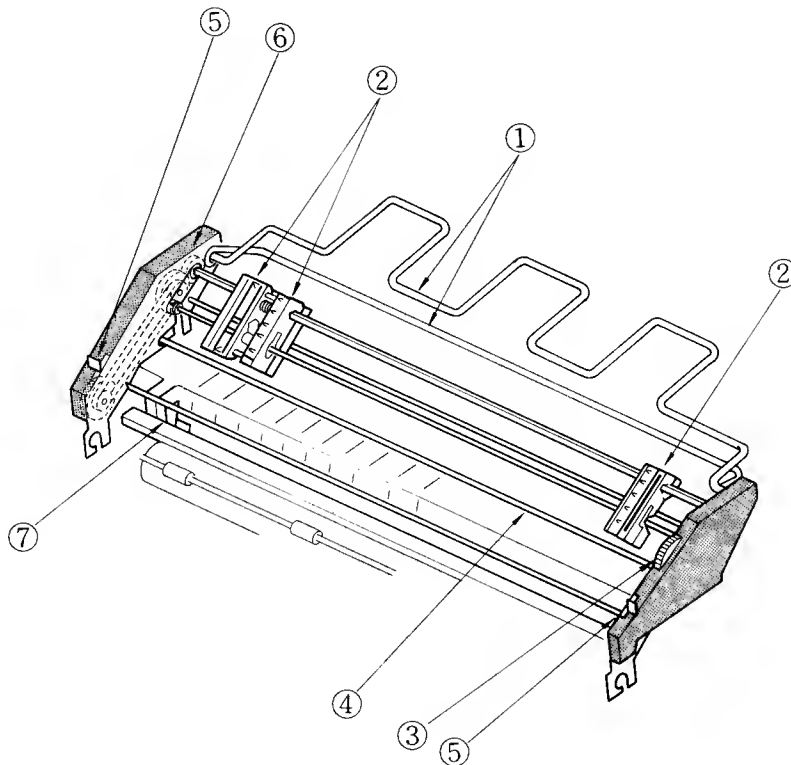


Figure 1

- ① **Paper Separators** (Upper and Lower). These keep the “incoming” paper separated from the “outgoing” paper, preventing paper jams.
- ② **Paper Clamps** (Upper and Lower). Be sure the paper is positioned over the pins before closing the clamps. This mechanism swivels up to load paper. The clamps also move to the left and right to adjust to the paper width.
- ③ **Paper Tension Dial**. Turn this dial away from you to tighten the paper. Paper must be tight if tractor feeding is to be efficient.
- ④ **Paper Tension Bar**. Move this bar by turning the Paper Tension Dial.
- ⑤ **Tractor Release Lever**. Push these levers towards the rear of the Printer before removing or installing the Tractor Feed Unit.
- ⑥ **Tractor Drive Mechanism**. The tractor gears and drive belts are located here.
- ⑦ **Paper Position Guide**.

2/ Setting Up the Tractor Feed Kit

1. Raise the Printer's Top Cover by firmly grasping it on both sides.
2. Remove both Top Cover Inserts by gently pulling them towards the center of the Printer. Press the center of the Inserts for easy removal. (See Figure 2.)

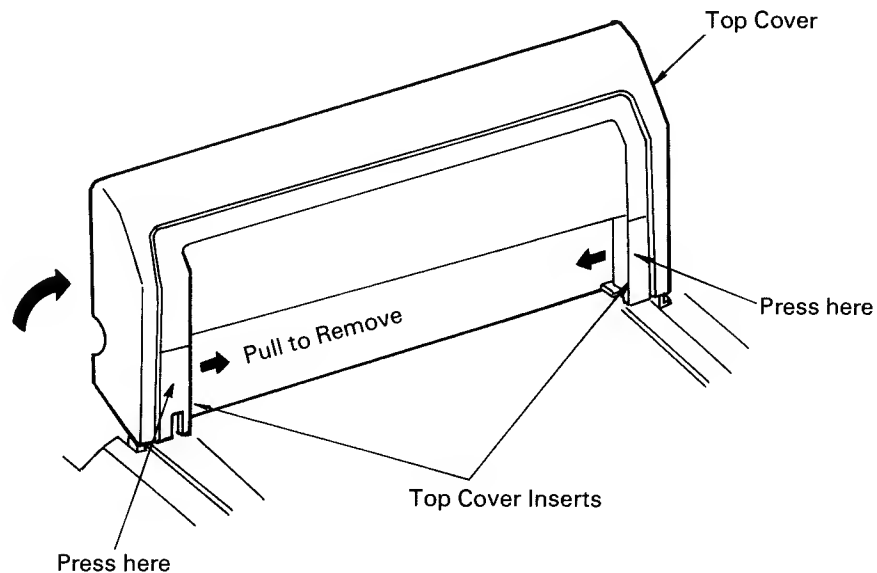


Figure 2

3. Lower the Top Cover.
4. Gently pull the Printer's Paper Bail Lever and Platen Pressure Lever towards the front of the Printer. Also move the Paper Position Guide to the extreme left.
5. Press the Tractor Release Levers and gently position the Tractor Feed's hooks over the Platen Shaft. Release the Levers. The Tractor Feed will then be attached to the Platen Shaft. (See Figures 3 and 4.) Gently turn the Platen Knob to insure proper meshing of the gears (located on the left side of the Tractor Feed Kit).

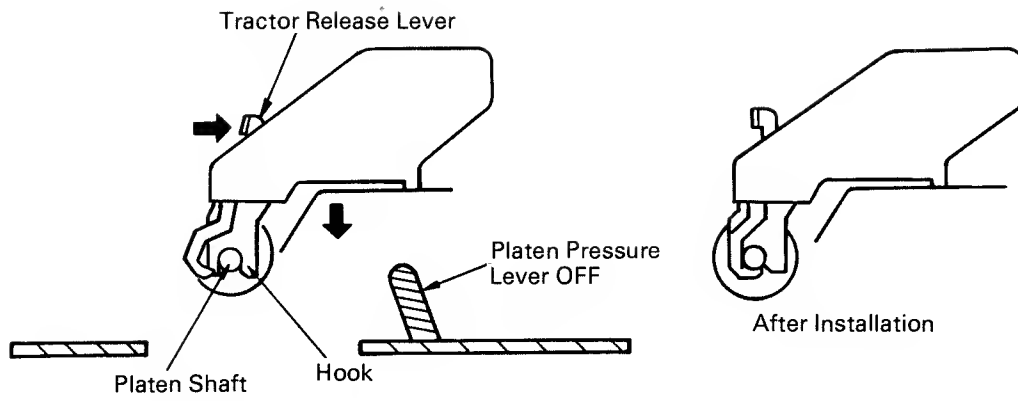


Figure 3

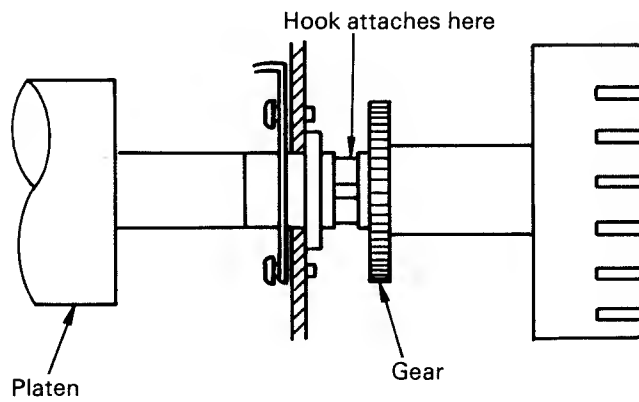
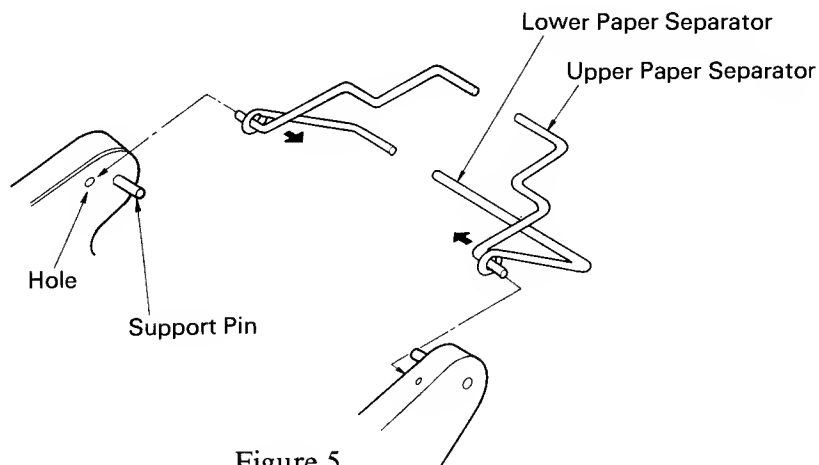


Figure 4

6. After the Tractor Feed unit is attached, be sure the Tractor Feed's Pin Belt (located above the gear on the left side) rotates when the Platen turns.

7. Insert the two-piece Paper Separator (if not installed yet) by gently squeezing the ends towards each other and inserting them into the holes on the back of the Tractor Feed. Be sure the lower part of the Separator sits on top of the support pins. (See Figure 5.)



Loading Paper

1. Before loading paper, turn the Paper Tension dial towards you so that tension is OFF.
2. Tilt the Tractor Feed unit up towards the rear of the Printer. Open the Bottom Paper Clamps.
3. Loosen the Clamp locks (gently pull the locks towards you) and slide the Clamps to the left and right to adjust to the paper width. Be sure to lock the Clamps into position once they have been adjusted. (See Figure 6.)

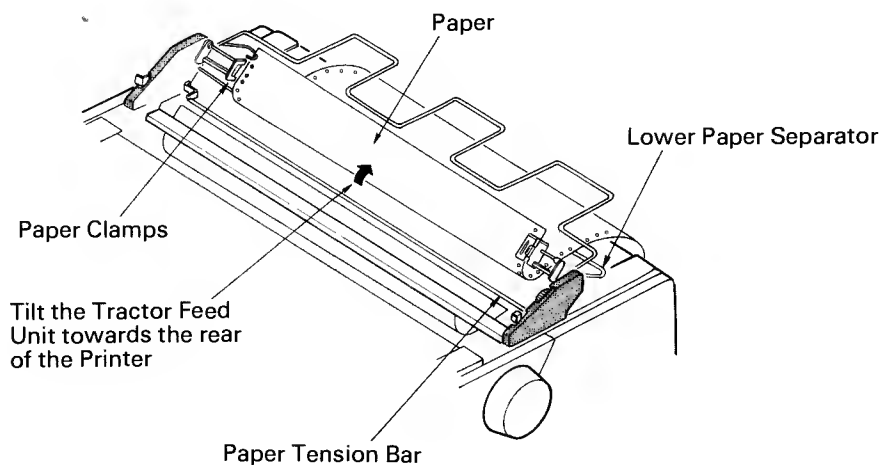


Figure 6

4. Thread the paper over the top of the Lower Paper Separator and directly to the Paper Clamps. *Do not* thread the paper under the middle support bar.
5. Position the paper on the pins and close the Paper Clamps.
6. Lower the mechanism.
7. Be sure the Platen Pressure Lever is set to the rear position so that pressure is ON.
8. Advance the paper by turning the Platen Knob so that the paper enters the Paper Insertion Opening above the Paper Tension Bar. (See Figure 7.)

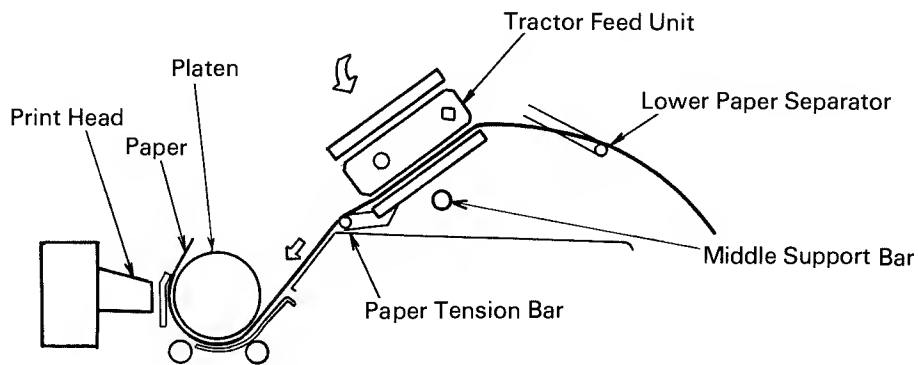


Figure 7

9. Move the Paper Bail away from the Platen.
10. Turn the Platen Knob to pull the paper around the Platen.
11. Open the top of the Paper Clamps and position the paper guide holes over the Sprocket Guide Pins. (Be sure to keep the paper straight.)
12. Close the Paper Clamps. (See Figure 8.)

Note: Keep the paper tight. Loose or slack paper will not feed properly.

13. Set the Platen Pressure Lever to the forward position so that pressure is OFF and friction-feed is disengaged.

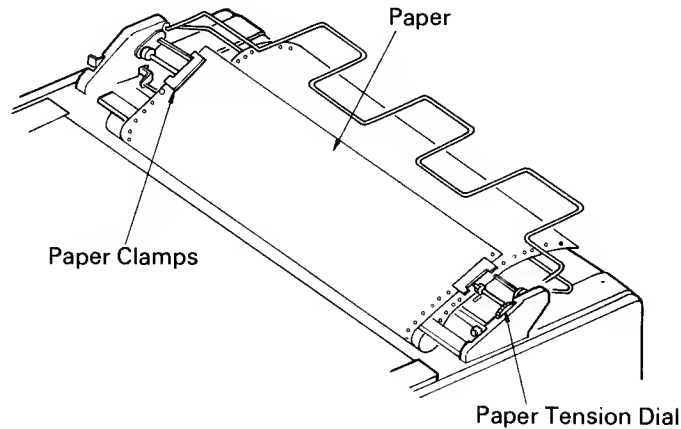


Figure 8

14. Turn the Paper Tension Dial away from you so that the Paper Tension Bar tightens the paper (be sure tension is ON before you attempt to print).
15. Advance the paper by turning the Platen Knob so that the paper exits over the top of the Upper Paper Separator. (See Figure 9.)

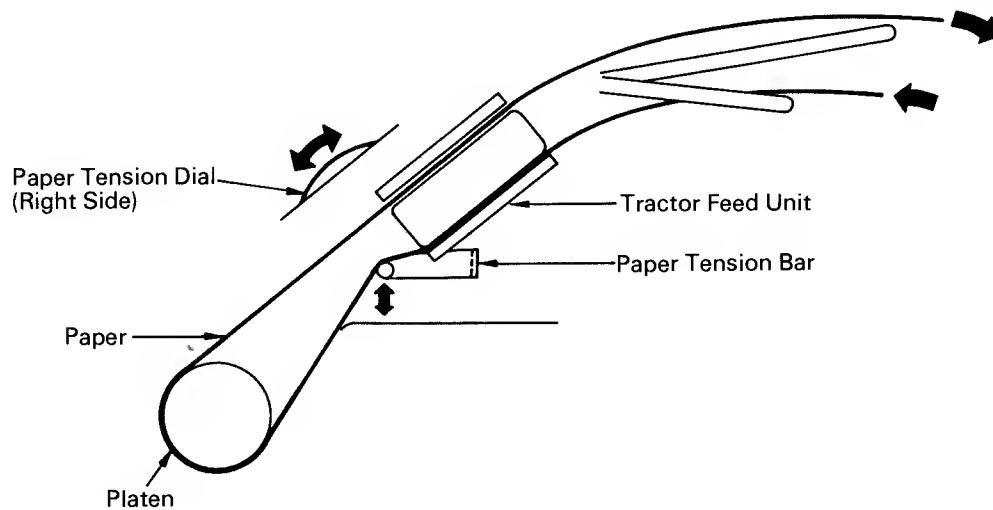


Figure 9

Removing the Tractor Feed Kit

To remove the Tractor Feed Kit from the Printer, first remove the paper. Then press the Tractor Release Lever and lift up.

3/ Hints and Tips On Using the Tractor Feed Kit

- The red horizontal and vertical lines show the printing position on the paper.

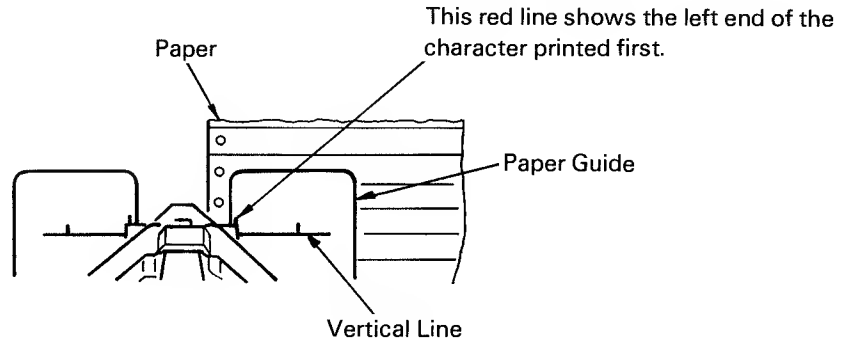


Figure 10

- Keep the Platen Pressure Lever positioned towards the front of the Printer.

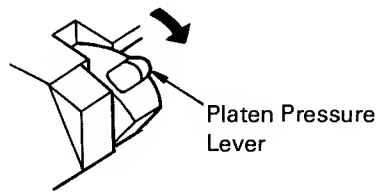


Figure 11

- Move the Paper Position Guide to the extreme left.

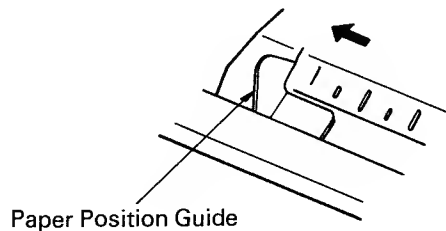


Figure 12

- Set the Printer's Copy Control Lever to the number range corresponding to the number of sheets of paper you are printing on.
- Position the stack of paper so that paper enters and exits straight.

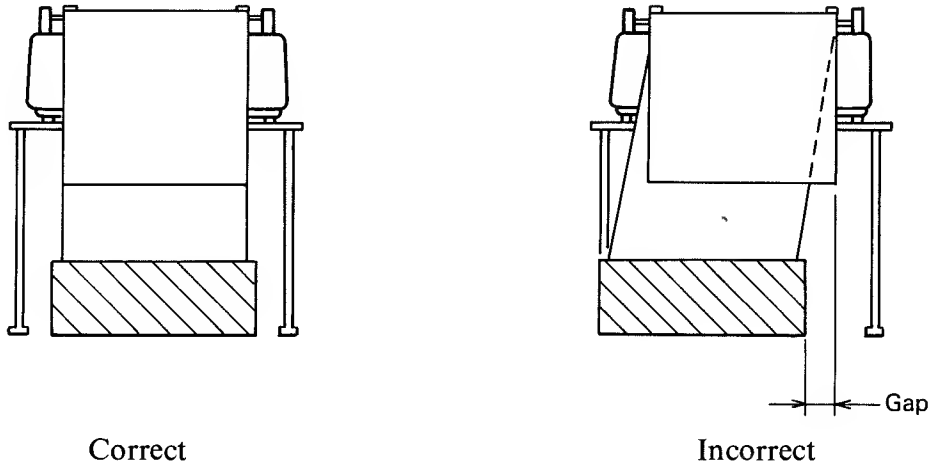


Figure 13

- Don't let printed paper stack up on top of unprinted paper.

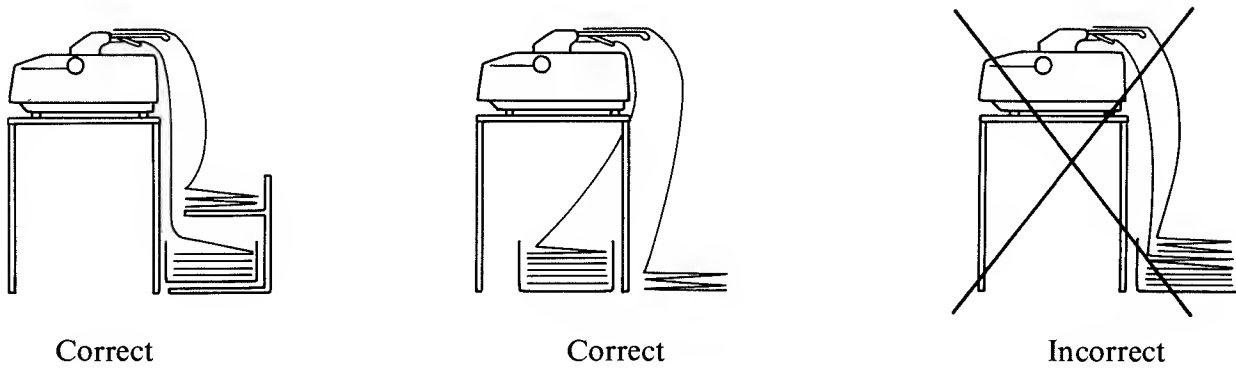


Figure 14

4/ Specifications

Mounting Method:	Latch mounting at the Platen
Paper Width:	4 – 15'' (101.6-381 mm)
Paper Weight:	1 part (52.3-81.4 g/m ²) (14-22 lbs. bond paper) Multi-parts (39.5 g/m ² non-carbon paper) (10 lbs. bond paper)
Number of Copies:	Up to 4 parts, including original (non-carbon paper) 2 parts (30 micro meter carbon paper)
Ambient Temperature:	41°F-104°F (5°C-40°C) (Temperature gradient must be within 10 deg/H)
Ambient Humidity:	20%-85% RH (non-condensing)
Outside Dimensions:	20.28'' × 9.76'' × 4.92'' (WDH) (515 mm × 248 mm × 125 mm)
Weight:	3.3 lbs. (1.5 kg)

Memo

Memo

RADIO SHACK, A DIVISION OF TANDY CORPORATION

**U.S.A.: FORT WORTH, TEXAS 76102
CANADA: BARRIE, ONTARIO L4M 4W5**

TANDY CORPORATION

AUSTRALIA

**280-316 VICTORIA ROAD
RYDALMERE, N.S.W. 2116**

BELGIUM

**PARC INDUSTRIEL DE NANINNE
5140 NANINNE**

U. K.

**BILSTON ROAD WEDNESBURY
WEST MIDLANDS WS10 7JN**