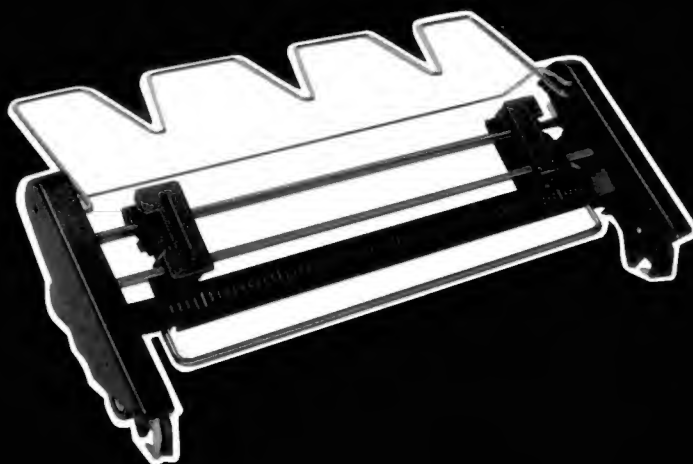


BI-DIRECTIONAL Tractor kit for Daisy Wheel Printer II



HARDWARE

Catalog Number 26-1447



COSTON MANUFACTURED FOR RADIO SHACK



A DIVISION OF TANDY CORPORATION

Congratulations for selecting this Radio Shack Computer Product!

This Bi-Directional Tractor Feed Kit, especially designed for our Daisy Wheel II Printer (Radio Shack Catalog Number 26-1158), is a high-quality, reliable Tractor Feed which will help your Printer operate more efficiently than ever before.

Its special features include:

- Sprocket controlled paper advancement that keeps your fan-fold paper uniformly straight and tight as it enters and leaves the Printer.
- Bi-directional control that prevents paper jamming as you manually move the paper forward or backward.
- Adjustable paper guides that accepts paper up to 15 inches wide.
- Copy Control Lever that lets you specify the number of sheets of paper you're printing on for high-quality print-outs everytime.
- Upper and Lower Paper Nets that keeps paper separated as it enters and leaves the Printer.
- Quick and simple installation or removal for easy access to the Printer or for installing other types paper of feeders.

B.D. Tractor Kit

Specifications

- 1) Mounting Method : Latch mounting at the platen
- 2) Feed Pitch : 1/6", 1/4", and 1/3"
- 3) Paper width : 15" max.
- 4) Number of copies : 3 copies (1 original + 2) max. of 16 to 25 pound paper (letter size)
- 5) Ambient Temperature : Operating +32 to 110°F (0 to 43°C)
Storage -40 to 160°F (-40 to 71°C)
- 6) Ambient Humidity : Operating 20 to 90%RH
Storage 5 to 95%RH (No condensation)
- 7) Outside dimensions : 20.35" x 10.63" x 6.3" (WDH)
(517 mm x 270 mm x 160 mm)
- 8) Weight : Main Body 3.97 pound (1.8 Kg)

Installing the Tractor Feed Kit on the Printer

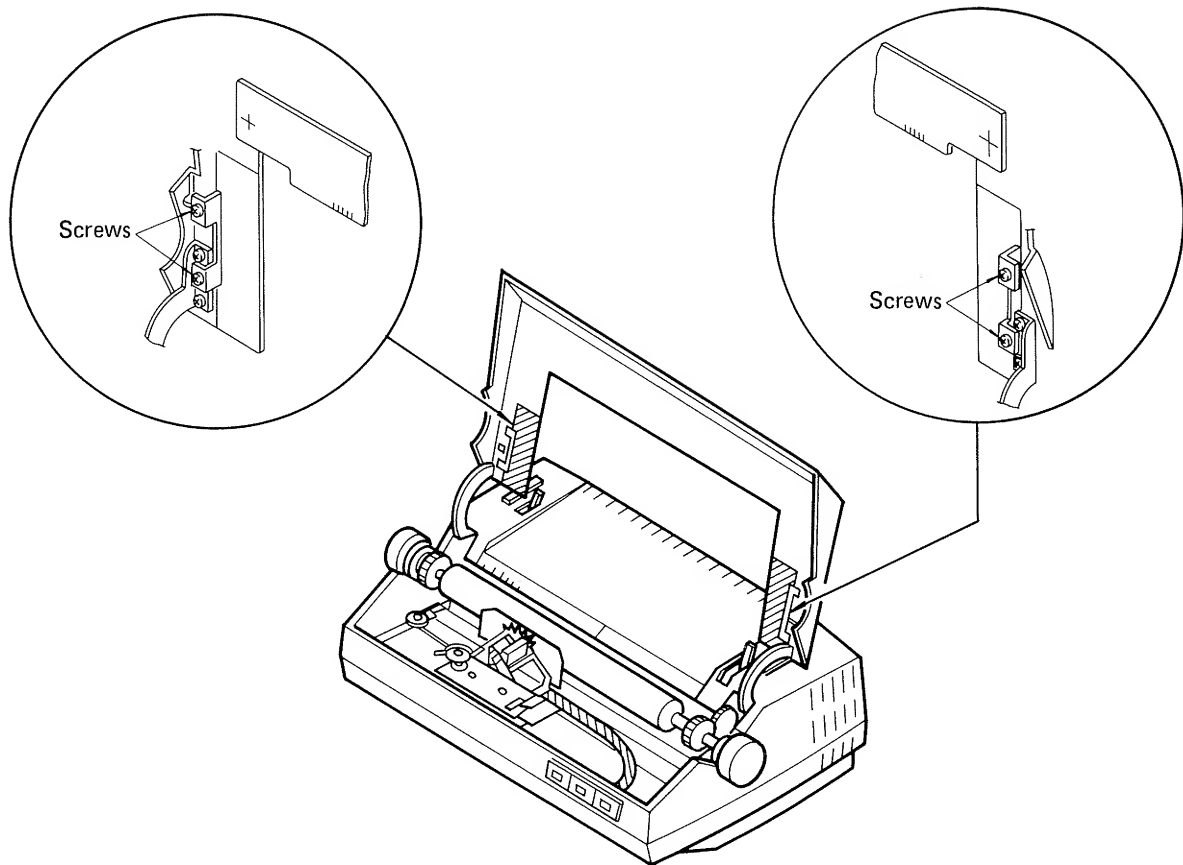


Figure 1

1. Raise the Printer's Front Cover.
2. On each of the hinges (left and right) that hold the Cover, you'll find four screws. Take out the two smaller screws (on each side) and remove the Panels. (For safe keeping, reinsert the two screws into the holes.) See Figure 1.
3. Lower the Front Cover.
4. Pull the printer Paper Release Lever forward (toward the front of the printer)
5. Pull the Paper Bail towards the front of the Printer.
6. Set the Tractor Feed on the Platen Shaft.

7. Press the Latch Knobs (located on the left and right sides of the Tractor Feed - - see Figure 2) towards the front of the Printer. Gently position the Tractor Feed over the Platen Shaft and release the Knobs. The Tractor Feed will then be attached to the Platen Shaft. (See Figure 3)

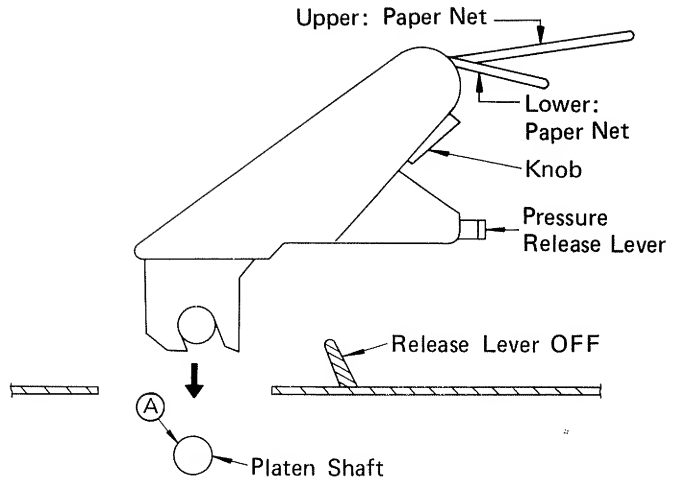


Figure 2

8. Gently turn the Platen to insure proper meshing of the gears.

9. Be sure the Tractor Feed's Pressure Release Lever fits over the Printer's Paper Release Lever (See Figure 2).

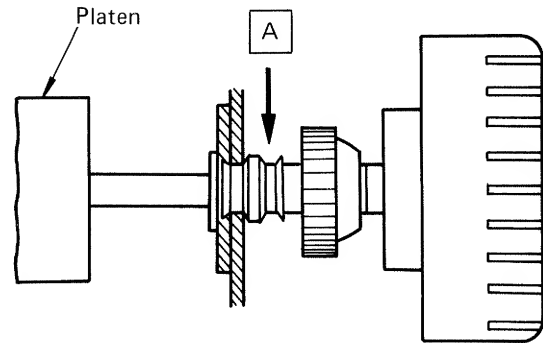


Figure 3

10. Insert the Upper and Lower Paper Nets (if not installed yet) by gently squeezing together and inserting the ends into the holes on the back of the Tractor Feed. (See Figure 4)

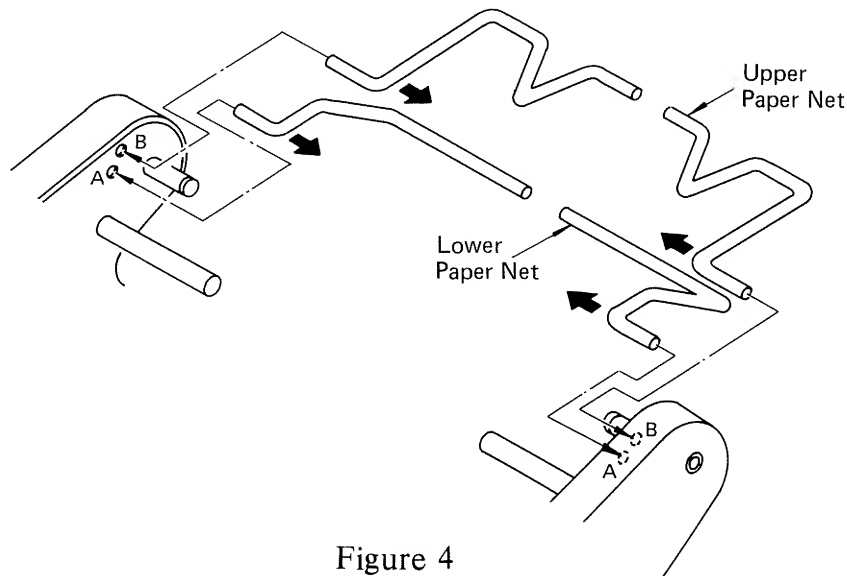
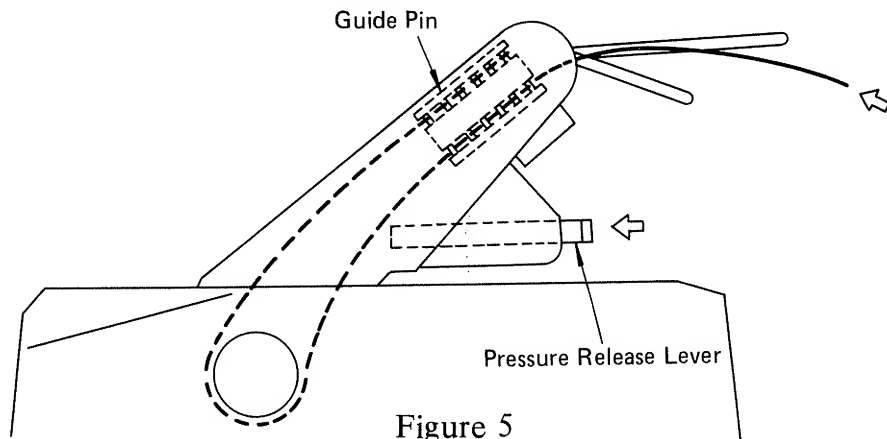


Figure 4

Positioning the Paper

1. Be sure the Paper Bail is pulled to the front, away from the platen.
2. Push the Tractor Feed's Pressure Release Lever back (towards the rear of the Printer).
3. Insert paper over the top of the Lower Paper Net and behind the Platen.
4. Advance the paper until it appears on the front side of the Platen.
5. Pull the Pressure Release Lever forward (towards the front of the Printer) and gently pull the paper up to the Tractor Feed Sprocket Guide Pins. (See Figure 5)



6. Lift (open) the Top Guide Pin Clamps and position the paper Guide Holes over the Sprocket Guide Pins. (Be sure to keep the paper straight.) Close the Guide Pin Clamps.
Note: Keep the paper tight. Loose or slack paper will not feed properly.
7. Open the Bottom Guide Pin Clamps and position the paper's Guide Holes over the Sprocket Guide Pins. Close the Guide Pin Clamps.
8. Push the Paper Bail against the paper.
9. Advance the paper by turning the Platen so that the paper exits over the top of the Upper Paper Net. (See Figure 6)

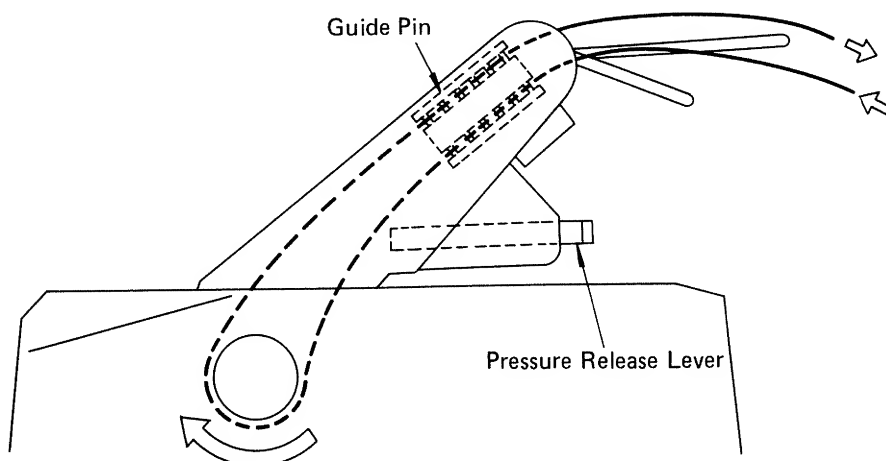


Figure 6

Copy Control Lever

The setting of the Copy Control Lever depends upon the number of copies (thickness) you're printing on. (See Figure 7) Set the Copy Control Lever to the number range corresponding to the number of sheets of paper you're printing on.

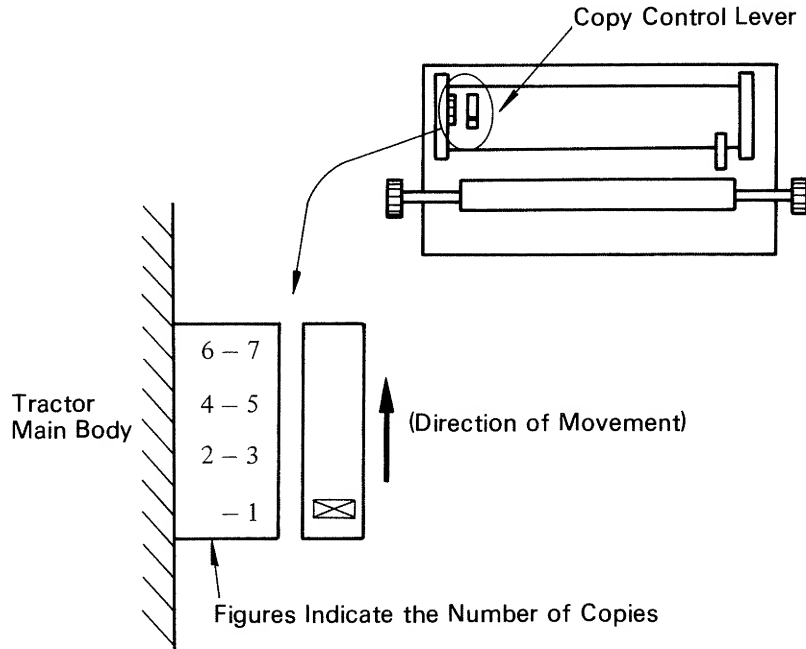


Figure 7

Removing the Tractor Feed Kit

To remove the Tractor Feed from the Daisy Wheel II, first remove the paper. Then tilt the Tractor Feed unit forward (towards the front of the Printer), press the Latch Knobs towards the front of the Printer, and lift up. (See Figure 8.)

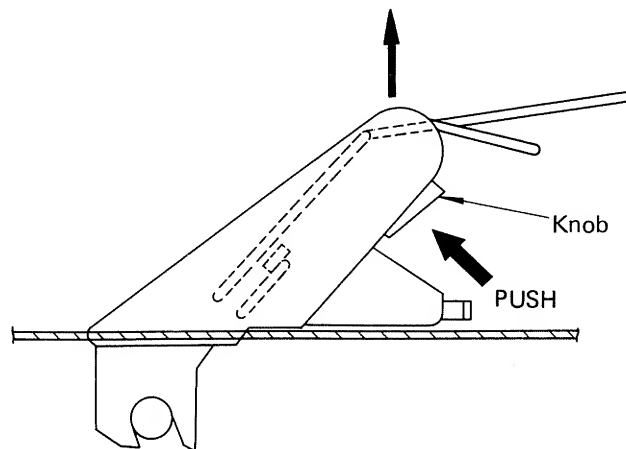


Figure 8


LIMITED WARRANTY

For a period of 90 days from the date of delivery, Radio Shack warrants to the original purchaser that the computer hardware unit shall be free from manufacturing defects. This warranty is only applicable to the original purchaser who purchased the unit from Radio Shack company-owned retail outlets or duly authorized Radio Shack franchisees and dealers. This warranty is voided if the unit is sold or transferred by purchaser to a third party. This warranty shall be void if this unit's case or cabinet is opened, if the unit has been subjected to improper or abnormal use, or if the unit is altered or modified. If a defect occurs during the warranty period, the unit must be returned to a Radio Shack store, franchisee, or dealer for repair, along with the sales ticket or lease agreement. Purchaser's sole and exclusive remedy in the event of defect is limited to the correction of the defect by adjustment, repair, replacement, or complete refund at Radio Shack's election and sole expense. Radio Shack shall have no obligation to replace or repair expendable items.

Any statements made by Radio Shack and its employees, including but not limited to, statements regarding capacity, suitability for use, or performance of the unit shall *not* be deemed a warranty or representation by Radio Shack for any purpose, nor give rise to any liability or obligation of Radio Shack.

EXCEPT AS SPECIFICALLY PROVIDED IN THIS WARRANTY OR IN THE RADIO SHACK COMPUTER SALES AGREEMENT, THERE ARE NO OTHER WARRANTIES, EXPRESS OR IMPLIED, INCLUDING, BUT NOT LIMITED TO, ANY IMPLIED WARRANTIES OF MERCHANTABILITY OR FITNESS FOR A PARTICULAR PURPOSE. IN NO EVENT SHALL RADIO SHACK BE LIABLE FOR LOSS OF PROFITS OR BENEFITS, INDIRECT, SPECIAL, CONSEQUENTIAL OR OTHER SIMILAR DAMAGES ARISING OUT OF ANY BREACH OF THIS WARRANTY OR OTHERWISE.

7-80

RADIO SHACK  **A DIVISION OF TANDY CORPORATION**
U.S.A.: FORT WORTH, TEXAS 76102
CANADA: BARRIE, ONTARIO L4M 4W5

TANDY CORPORATION

| AUSTRALIA | BELGIUM | U. K. |
|---|--|--|
| 280-316 VICTORIA ROAD RYDALMERE, N.S.W. 2116 | PARC INDUSTRIEL DE NANINNE 5140 NANINNE | BILSTON ROAD, WEDNESBURY WEST MIDLANDS WS10 7JN |