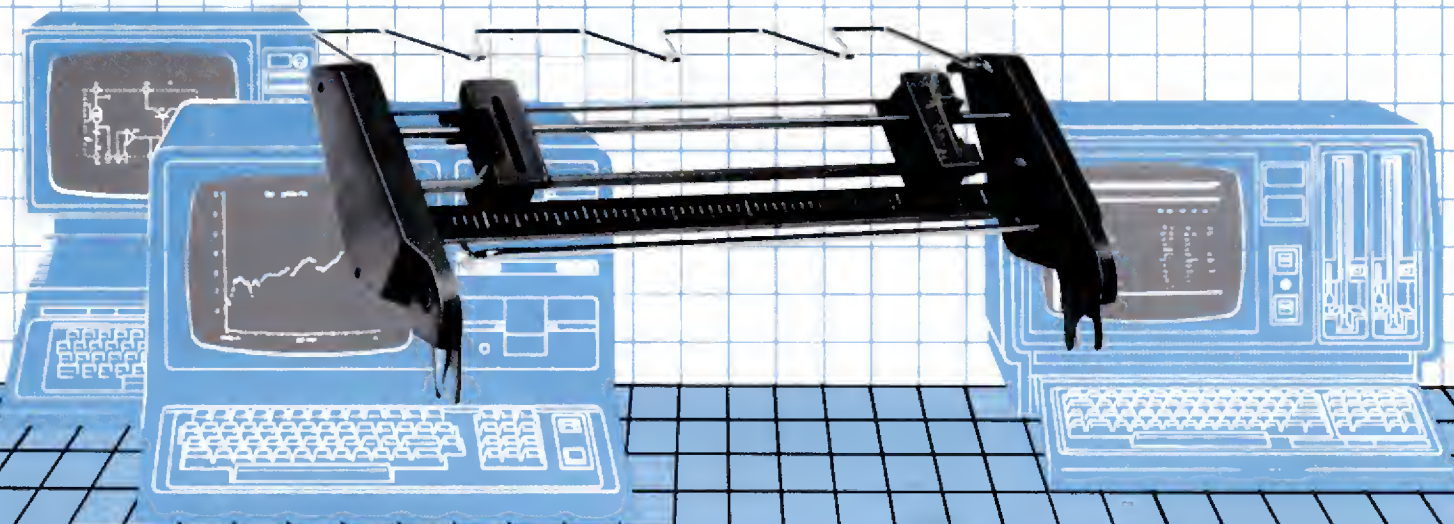


TRS-80[®]

BIDIRECTIONAL Tractor kit
for
DWP — 410
OPERATION MANUAL
Catalog Number 26-1459

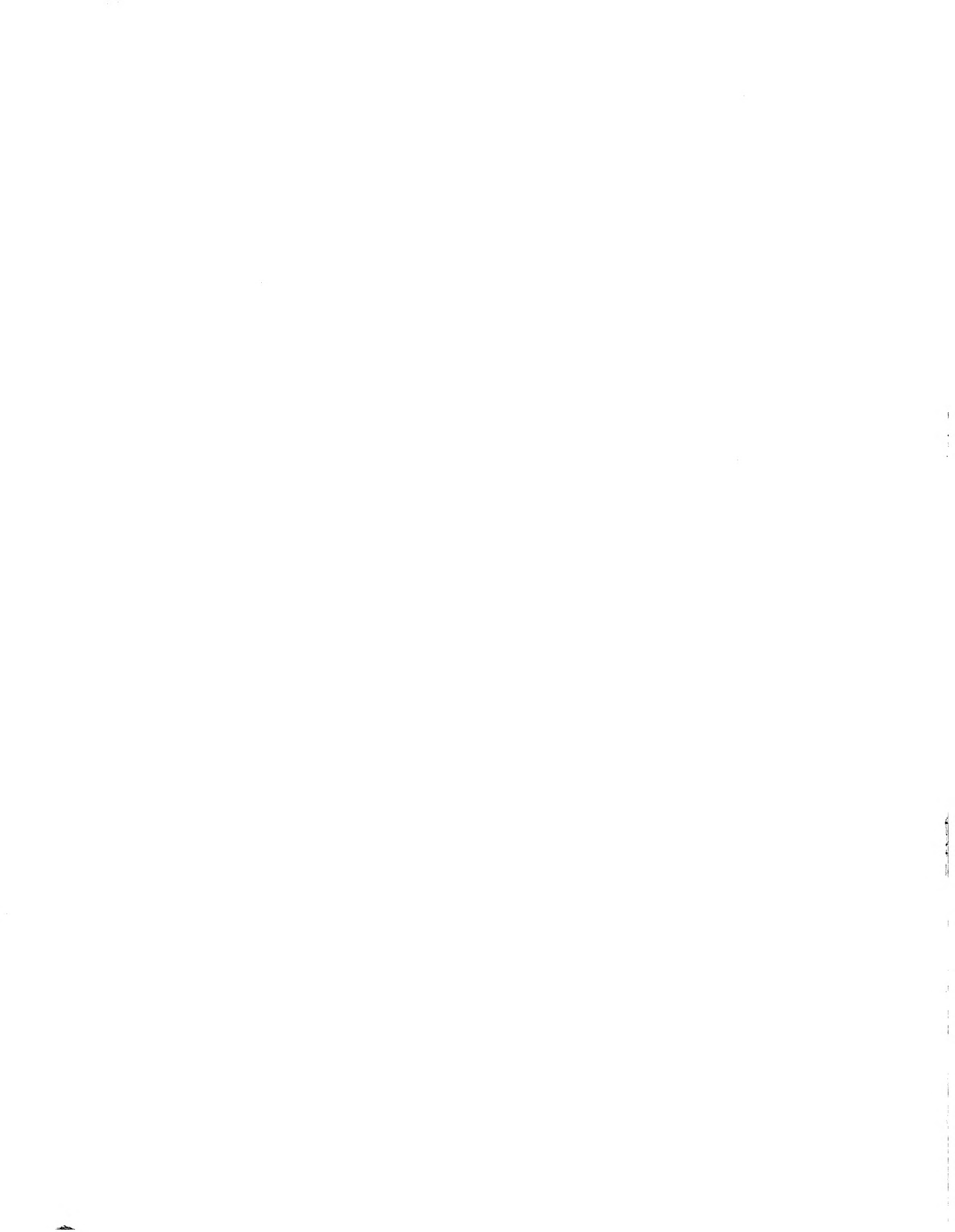


Radio Shack[®]

TRS-80

**COMPUTER
PRODUCTS**

CUSTOM MANUFACTURED FOR RADIO SHACK, A DIVISION OF TANDY CORPORATION



TERMS AND CONDITIONS OF SALE AND LICENSE OF RADIO SHACK COMPUTER EQUIPMENT AND SOFTWARE
PURCHASED FROM A RADIO SHACK COMPANY-OWNED COMPUTER CENTER, RETAIL STORE OR FROM A
RADIO SHACK FRANCHISEE OR DEALER AT ITS AUTHORIZED LOCATION

LIMITED WARRANTY

I. CUSTOMER OBLIGATIONS

- A CUSTOMER assumes full responsibility that this Radio Shack computer hardware purchased (the "Equipment"), and any copies of Radio Shack software included with the Equipment or licensed separately (the "Software") meets the specifications, capacity, capabilities, versatility, and other requirements of CUSTOMER
- B CUSTOMER assumes full responsibility for the condition and effectiveness of the operating environment in which the Equipment and Software are to function, and for its installation

II. RADIO SHACK LIMITED WARRANTIES AND CONDITIONS OF SALE

- A For a period of ninety (90) calendar days from the date of the Radio Shack sales document received upon purchase of the Equipment, RADIO SHACK warrants to the original CUSTOMER that the Equipment and the medium upon which the Software is stored is free from manufacturing defects. THIS WARRANTY IS ONLY APPLICABLE TO PURCHASES OF RADIO SHACK EQUIPMENT BY THE ORIGINAL CUSTOMER FROM RADIO SHACK COMPANY-OWNED COMPUTER CENTERS, RETAIL STORES AND FROM RADIO SHACK FRANCHISEES AND DEALERS AT ITS AUTHORIZED LOCATION. The warranty is void if the Equipment's case or cabinet has been opened, or if the Equipment or Software has been subjected to improper or abnormal use. If a manufacturing defect is discovered during the stated warranty period, the defective Equipment must be returned to a Radio Shack Computer Center, a Radio Shack retail store, participating Radio Shack franchisee or Radio Shack dealer for repair, along with a copy of the sales document or lease agreement. The original CUSTOMER'S sole and exclusive remedy in the event of a defect is limited to the correction of the defect by repair, replacement, or refund of the purchase price, at RADIO SHACK'S election and sole expense. RADIO SHACK has no obligation to replace or repair expendable items.
- B RADIO SHACK makes no warranty as to the design, capability, capacity, or suitability for use of the Software, except as provided in this paragraph. Software is licensed on an "AS IS" basis, without warranty. The original CUSTOMER'S exclusive remedy, in the event of a Software manufacturing defect, is its repair or replacement within thirty (30) calendar days of the date of the Radio Shack sales document received upon license of the Software. The defective Software shall be returned to a Radio Shack Computer Center, a Radio Shack retail store, participating Radio Shack franchisee or Radio Shack dealer along with the sales document.
- C Except as provided herein no employee, agent, franchisee, dealer or other person is authorized to give any warranties of any nature on behalf of RADIO SHACK.
- D Except as provided herein, **RADIO SHACK MAKES NO WARRANTIES, INCLUDING WARRANTIES OF MERCHANTABILITY OR FITNESS FOR A PARTICULAR PURPOSE.**
- E Some states do not allow limitations on how long an implied warranty lasts, so the above limitation(s) may not apply to CUSTOMER.

III. LIMITATION OF LIABILITY

- A EXCEPT AS PROVIDED HEREIN, RADIO SHACK SHALL HAVE NO LIABILITY OR RESPONSIBILITY TO CUSTOMER OR ANY OTHER PERSON OR ENTITY WITH RESPECT TO ANY LIABILITY, LOSS OR DAMAGE CAUSED OR ALLEGED TO BE CAUSED DIRECTLY OR INDIRECTLY BY "EQUIPMENT" OR "SOFTWARE" SOLD, LEASED, LICENSED OR FURNISHED BY RADIO SHACK, INCLUDING, BUT NOT LIMITED TO, ANY INTERRUPTION OF SERVICE, LOSS OF BUSINESS OR ANTICIPATORY PROFITS OR CONSEQUENTIAL DAMAGES RESULTING FROM THE USE OR OPERATION OF THE "EQUIPMENT" OR "SOFTWARE". IN NO EVENT SHALL RADIO SHACK BE LIABLE FOR LOSS OF PROFITS, OR ANY INDIRECT, SPECIAL, OR CONSEQUENTIAL DAMAGES ARISING OUT OF ANY BREACH OF THIS WARRANTY OR IN ANY MANNER ARISING OUT OF OR CONNECTED WITH THE SALE, LEASE, LICENSE, USE OR ANTICIPATED USE OF THE "EQUIPMENT" OR "SOFTWARE". NOTWITHSTANDING THE ABOVE LIMITATIONS AND WARRANTIES, RADIO SHACK'S LIABILITY HEREUNDER FOR DAMAGES INCURRED BY CUSTOMER OR OTHERS SHALL NOT EXCEED THE AMOUNT PAID BY CUSTOMER FOR THE PARTICULAR "EQUIPMENT" OR "SOFTWARE" INVOLVED.
- B RADIO SHACK shall not be liable for any damages caused by delay in delivering or furnishing Equipment and/or Software.
- C No action arising out of any claimed breach of this Warranty or transactions under this Warranty may be brought more than two (2) years after the cause of action has accrued or more than four (4) years after the date of the Radio Shack sales document for the Equipment or Software, whichever first occurs.
- D Some states do not allow the limitation or exclusion of incidental or consequential damages, so the above limitation(s) or exclusion(s) may not apply to CUSTOMER.

IV. RADIO SHACK SOFTWARE LICENSE

RADIO SHACK grants to CUSTOMER a non-exclusive, paid-up license to use the RADIO SHACK Software on **one** computer, subject to the following provisions:

- A Except as otherwise provided in this Software License, applicable copyright laws shall apply to the Software.
- B Title to the medium on which the Software is recorded (cassette and/or diskette) or stored (ROM) is transferred to CUSTOMER, but not title to the Software.
- C CUSTOMER may use Software on one host computer and access that Software through one or more terminals if the Software permits this function.
- D CUSTOMER shall not use, make, manufacture, or reproduce copies of Software except for use on **one** computer and as is specifically provided in this Software License. Customer is expressly prohibited from disassembling the Software.
- E CUSTOMER is permitted to make additional copies of the Software **only** for backup or archival purposes or if additional copies are required in the operation of **one** computer with the Software, but only to the extent the Software allows a backup copy to be made. However, for TRS800S Software, CUSTOMER is permitted to make a limited number of additional copies for CUSTOMER'S own use.
- F CUSTOMER may resell or distribute unmodified copies of the Software provided CUSTOMER has purchased one copy of the Software for each one sold or distributed. The provisions of this Software License shall also be applicable to third parties receiving copies of the Software from CUSTOMER.
- G All copyright notices shall be retained on all copies of the Software.

V. APPLICABILITY OF WARRANTY

- A The terms and conditions of this Warranty are applicable as between RADIO SHACK and CUSTOMER to either a sale of the Equipment and/or Software License to CUSTOMER or to a transaction whereby RADIO SHACK sells or conveys such Equipment to a third party for lease to CUSTOMER.
- B The limitations of liability and Warranty provisions herein shall inure to the benefit of RADIO SHACK, the author, owner and/or licensor of the Software and any manufacturer of the Equipment sold by RADIO SHACK.

VI. STATE LAW RIGHTS

The warranties granted herein give the **original** CUSTOMER specific legal rights, and the **original** CUSTOMER may have other rights which vary from state to state.

Congratulations for selecting this Radio Shack Computer Product!

This new Bidirectional Tractor Feed Kit, especially designed for our DWP-410 is a high-quality, reliable Tractor Feed which will help your Printer operate more efficiently than ever before.

Its special features include:

- Sprocket-controlled paper advancement that keeps your fanfold paper uniformly straight and tight as it enters and leaves the Printer.
- Bidirectional control that prevents paper jamming as you manually move the Paper forward or backward.
- Adjustable paper guides that accept paper up to 15" wide.
- Upper and Lower Paper Nets that keep paper separated as it enters and leaves the Printer.
- Quick and simple installation or removal for easy access to the Printer or for installing other types of paper or feeders.

NEW Bidirectional Kit Specifications

1. Mounting Method : Latch mounting at the Platen
2. Feed Pitch : 1/6", 1/4", and 1/3"
3. Paper Width : 15" max.
4. Number of Copies : 3 copies (1 original + #2)
max. of 16 to 25 pound paper (letter size)
5. Ambient Temperature : Operating -41 to 95°F (5 to 35°C)
Storage -40 to 160°F (-40 to 71°C)
6. Ambient Humidity : Operating 20 to 90% RH
Storage 5 to 95% RH (No condensation)
7. Outside Dimensions : 18.62" × 9.25" × 6.58" (WDH)
(473m × 235mm × 165mm)
8. Weight : Main Body 3.09 pound (1.4kg)

Installing the Tractor Feed Kit on the Printer

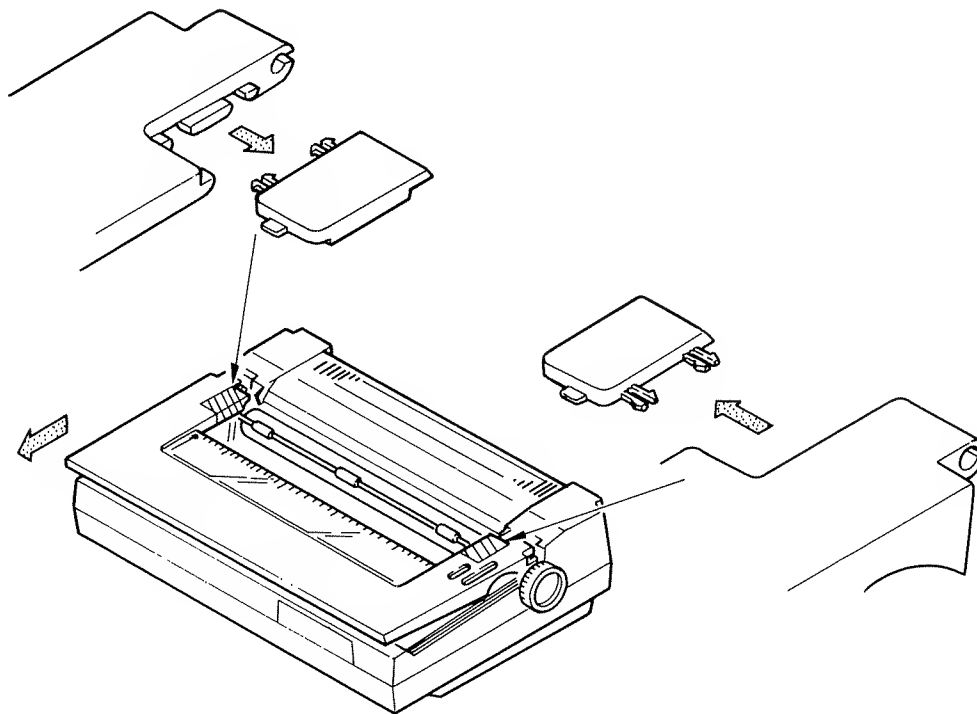


Figure 1

1. Remove the Printer's Front Cover by grasping the Cover with both hands, and slightly lifting up and gently pull forwards you.
2. Remove the plate shelters from the Front Cover. (See figure 1).
3. Replace the Front Cover to its place.
4. Pull the Paper Bail Lever towards the front of the Printer (away from the paper).

5. Set the Tractor Feed on the Platen Shaft.

(A) Press the Latch Knobs (located on the left and right sides of the Tractor Feed —See Figure 2.) towards the front of the Printer.

(B) Gently position the Tractor Feed cover the Platen Shaft and release the knobs.

The Tractor Feed will then be attached to the Platen Shaft. (See Figure 3.)

6. Gently turn the Platen to insure proper meshing of the gears.

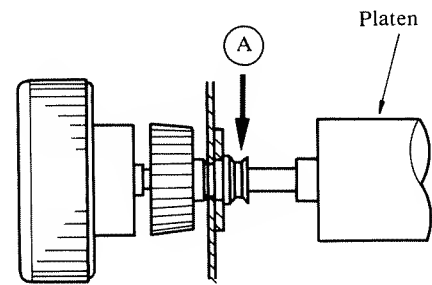
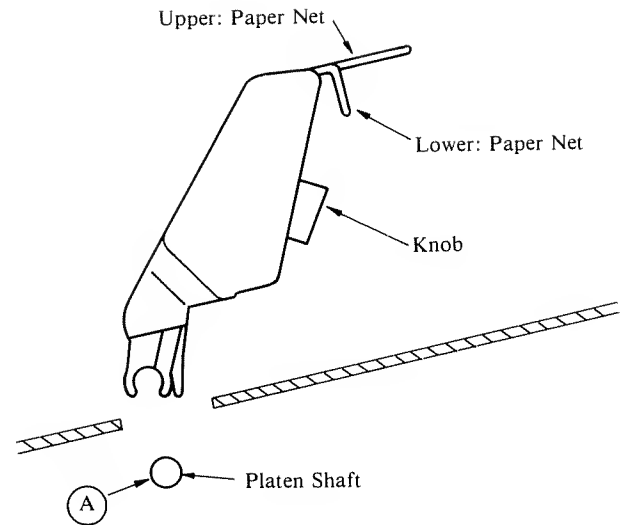


Figure 3

Positioning the Paper

1. Be sure the Paper Bail Lever is pulled to the front, away from the Platen.

2. Be sure the Auto Feed Lever is set to the center position. (See Figure 4.)

3. Tilt the Upper Net forward.

4. Insert the paper between the Upper and Lower Nets and behind the Platen.

5. Advance the paper until it appears on the front of the Platen. Push the Auto Feed Lever back (towards the rear of the printer).

6. Return the Upper Net to its place.

7. Gently pull the paper up to the Tractor Feed Paper Guide Pins. (See Figure 5.)

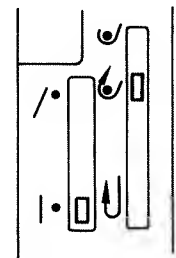


Figure 4

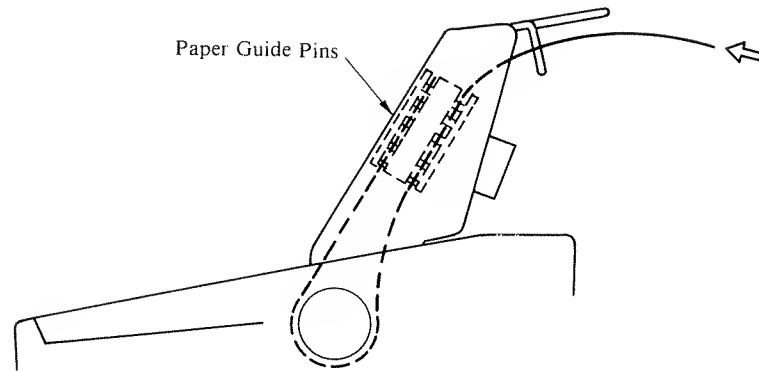


Figure 5

8. Gently push the Paper Tension Bar down, away from the 'top' piece of paper.
9. Lift (open) the top Paper Guide Clamps and position the paper's guide holes over the Paper Guide Pins. (Be sure to keep the paper straight.) Close the Paper Guide Clamps. If the paper is loose, push the Lock Lever on each Paper Guide down. Slide the Paper Guides apart until the paper is tight. Then pull the Lock Lever back up to lock the Paper Guides into position.

Note : Keep the paper tight. Loose or slack paper will not feed properly.

10. Open the bottom Paper Guide Clamps and position the paper's guide holes over the Paper Guide Pins. Close the Paper Guide Clamps.
11. Push the Paper Bail towards the back of the Printer so that the Paper Bail is against the paper.
12. Gently pull the Paper Tension Bar up to remove slack from the paper.
13. Advance the paper by turning the Platen Knob so that the paper exits over the top of the Upper Paper Net. (See Figure 6.)
14. Be sure the Auto Feed Lever is set to the back.

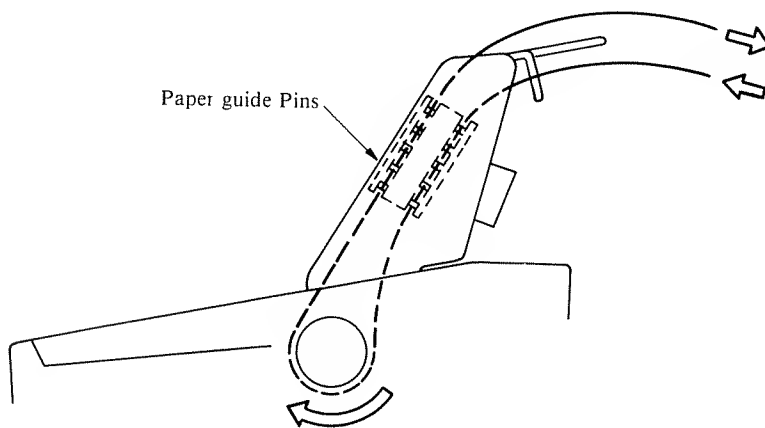


Figure 6

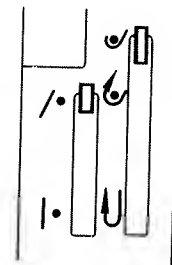


Figure 7

Copy Control Lever

The setting of the Copy Control Lever depends upon the number of copies (thickness) you're printing. Open the Front Cover and set the Printer's Copy Control Lever to the number range corresponding to the number of sheets of paper you're printing on. (See Figure 8.)

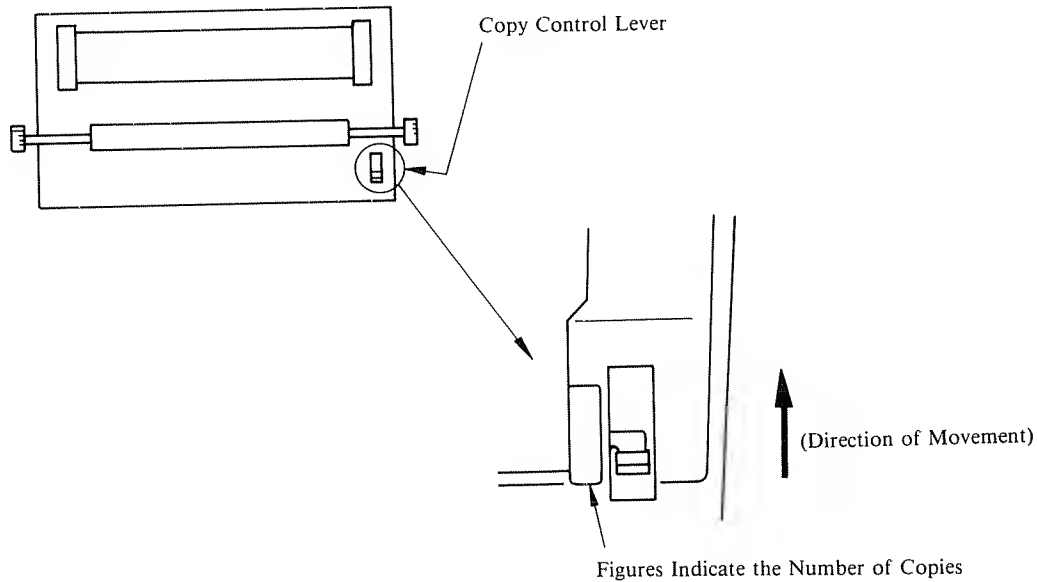


Figure 8

Removing the Tractor Feed Kit

To remove the Tractor Feed from the DWP-410, first remove the paper. Then press the Latch Knobs and lift up. (See Figure 9.)

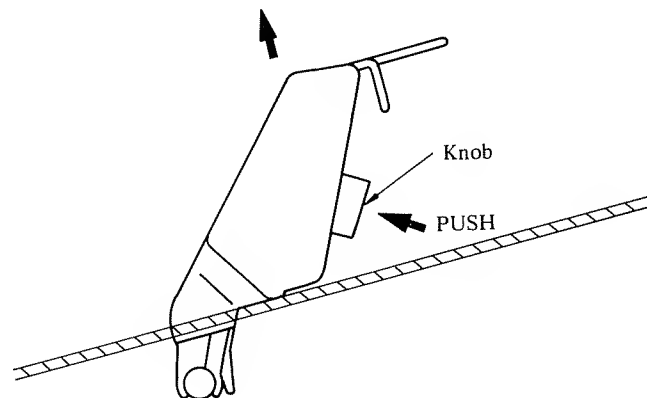


Figure 9

RADIO SHACK, A DIVISION OF TANDY CORPORATION

**U.S.A.: FORT WORTH, TEXAS 76102
CANADA: BARRIE, ONTARIO L4M 4W5**

TANDY CORPORATION

AUSTRALIA

280-316 VICTORIA ROAD
RYDALMERE, N. S. W. 2116

BELGIUM

PARC INDUSTRIEL DE NANINNE
5140 NANINNE

U K

BILSTON ROAD WEDNESBURY
WEST MIDLANDS WS10 7JN