


**Radio Shack**

**TRS-80**

**MICRO  
COMPUTER  
SYSTEM  
DESK**

**Catalog Number 26-1301**

**Assembly Instructions**

CUSTOM MANUFACTURED IN U. S. A. FOR RADIO SHACK  A DIVISION OF TANDY CORPORATION

# Desk Assembly Instructions

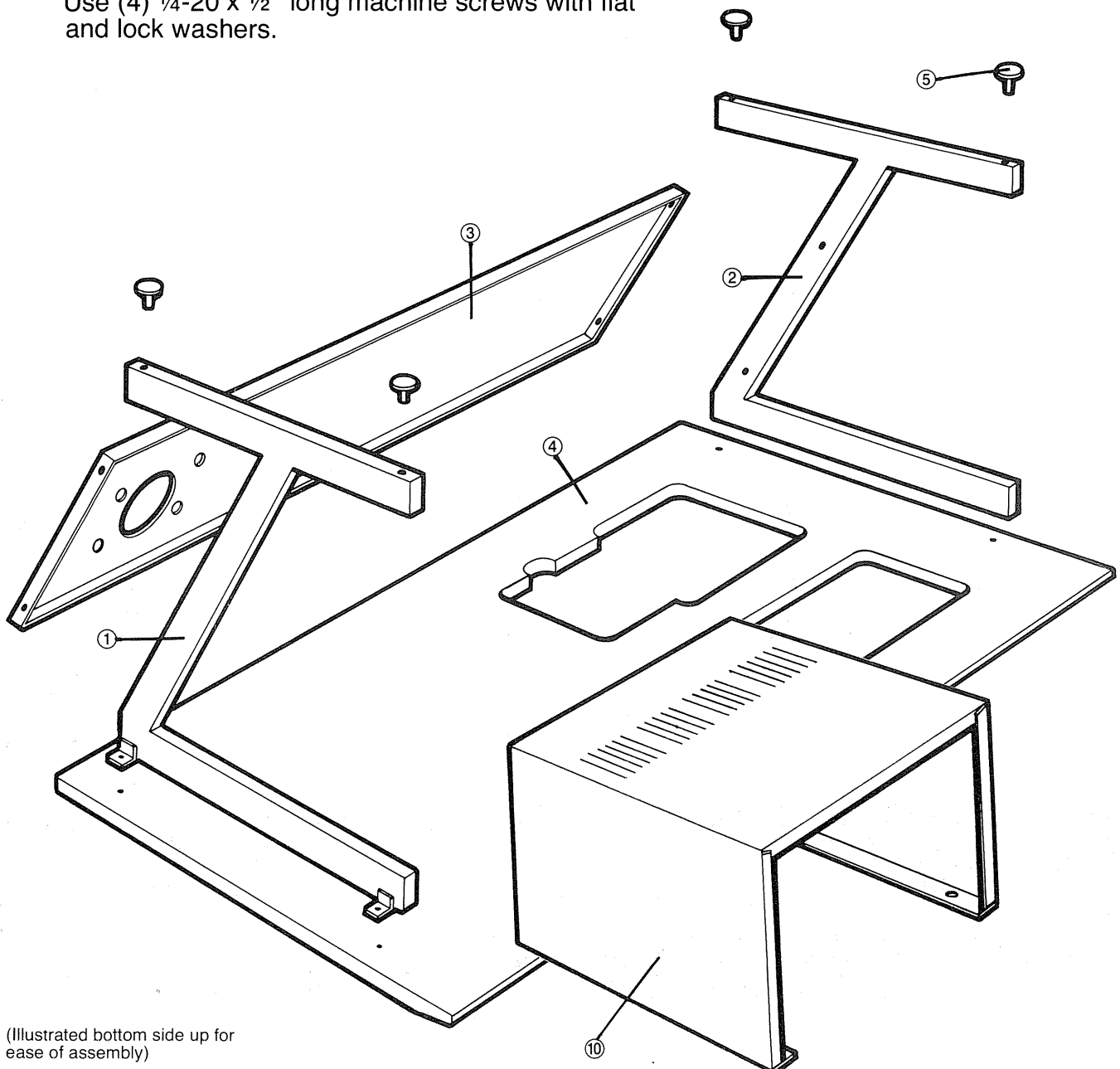
**1:** Attach modesty panel to leg structure so that fan hole is located as shown below. Use (4) 1/4-20 x 3/8" pan hd. screws with flat and lock washers

**2:** Attach legs and modesty panel assembly to desk top. Use (4) #14 x 1" lg. sheet metal screws with flat and lock washers. (Note: Assemble desk top to leg structure so that holes in top are oriented as shown in illustration.)

**3:** Install leveling glides in legs.

**4:** Attach the floppy disc cabinet as shown. Use (4) 1/4-20 x 1/2" long machine screws with flat and lock washers.

<b>Desk Parts</b>		Qty./ Assy.
1) Right Leg		1
2) Left Leg		1
3) Modesty Panel		1
4) Top		1
<b>Desk Hardware</b>		
5) Leveling Glides		4
6) 1/4 Flat Washers		8
7) 1/4 Lock Washers		8
8) 1/4-20 x 3/8" Large pan hd. screws		4
9) #14 x 1" long Sht. Metal Screws		4
<b>Cabinet Parts</b>		
10) Floppy Disc Cabinet		1
11) 1/4-20 x 1/2" Long Machine Screws		4
12) 1/4 Flat Washers		4
13) 1/4 Lock Washers		4

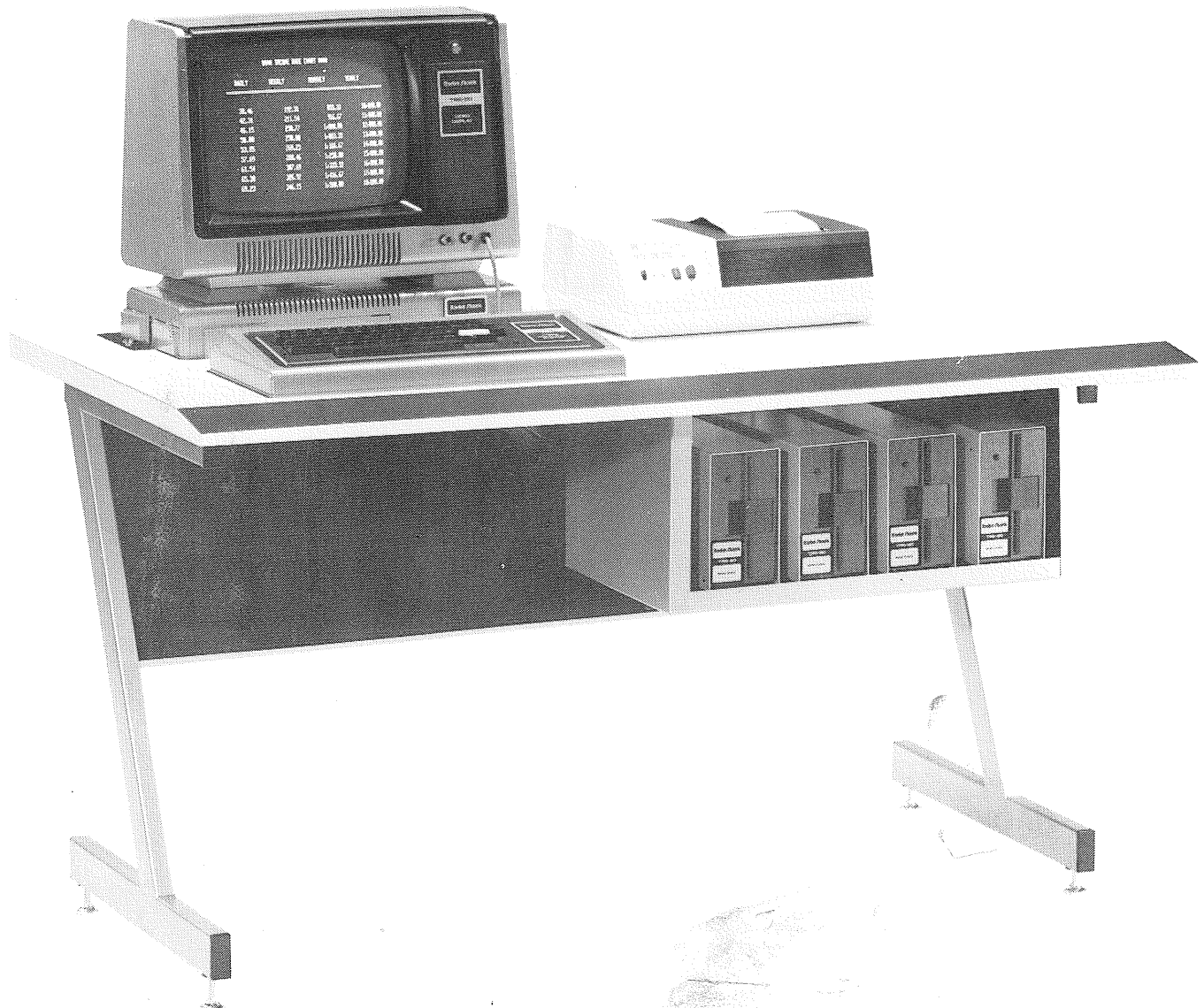


(Illustrated bottom side up for ease of assembly)

# System Assembly Instructions

---

- 1:** Assemble desk.
- 2:** Add wiring to expansion interface and drop in place.
- 3:** Install all units as depicted in photo.
- 4:** Make all cable connections per operators manuals supplied with each unit.
- 5:** Install AC outlet.
- 6:** If using 2 or more mini floppy disc units, we recommend that you use a fan, Radio Shack Cat. No. 26-1303
- 7:** Complete AC connections.



**RADIO SHACK LIMITED WARRANTY**

This equipment is warranted against defects for 90 days from date of purchase. Within this period, we will repair it without charge for parts and labor. Simply **bring your sales slip** as proof of purchase date to any Radio Shack store. Warranty does not cover transportation costs. Nor does it cover equipment subjected to misuse or accidental damage.

This Warranty gives you specific legal rights and you may also have other rights which vary from state to state.

*We Service What We Sell*

**RADIO SHACK**  **A DIVISION OF TANDY CORPORATION**

**U.S.A.: FORT WORTH, TEXAS 76102**  
**CANADA: BARRIE, ONTARIO L4M 4W5**

---

**TANDY CORPORATION**

**AUSTRALIA**

280-316 VICTORIA ROAD  
RYDALMERE, N S W. 2116

**BELGIUM**

PARC INDUSTRIEL DE NANINNE  
5140 NANINNE

**U K**

BILSTON ROAD WEDNESBURY  
WEST MIDLANDS WS10 7JN