


**Radio Shack**

**TRS-80**

**MICRO  
COMPUTER  
SYSTEM  
DESK**

**Catalog Number 26-1301**

**Assembly Instructions**

CUSTOM MANUFACTURED IN U. S. A. FOR RADIO SHACK  A DIVISION OF TANDY CORPORATION

# Desk Assembly Instructions

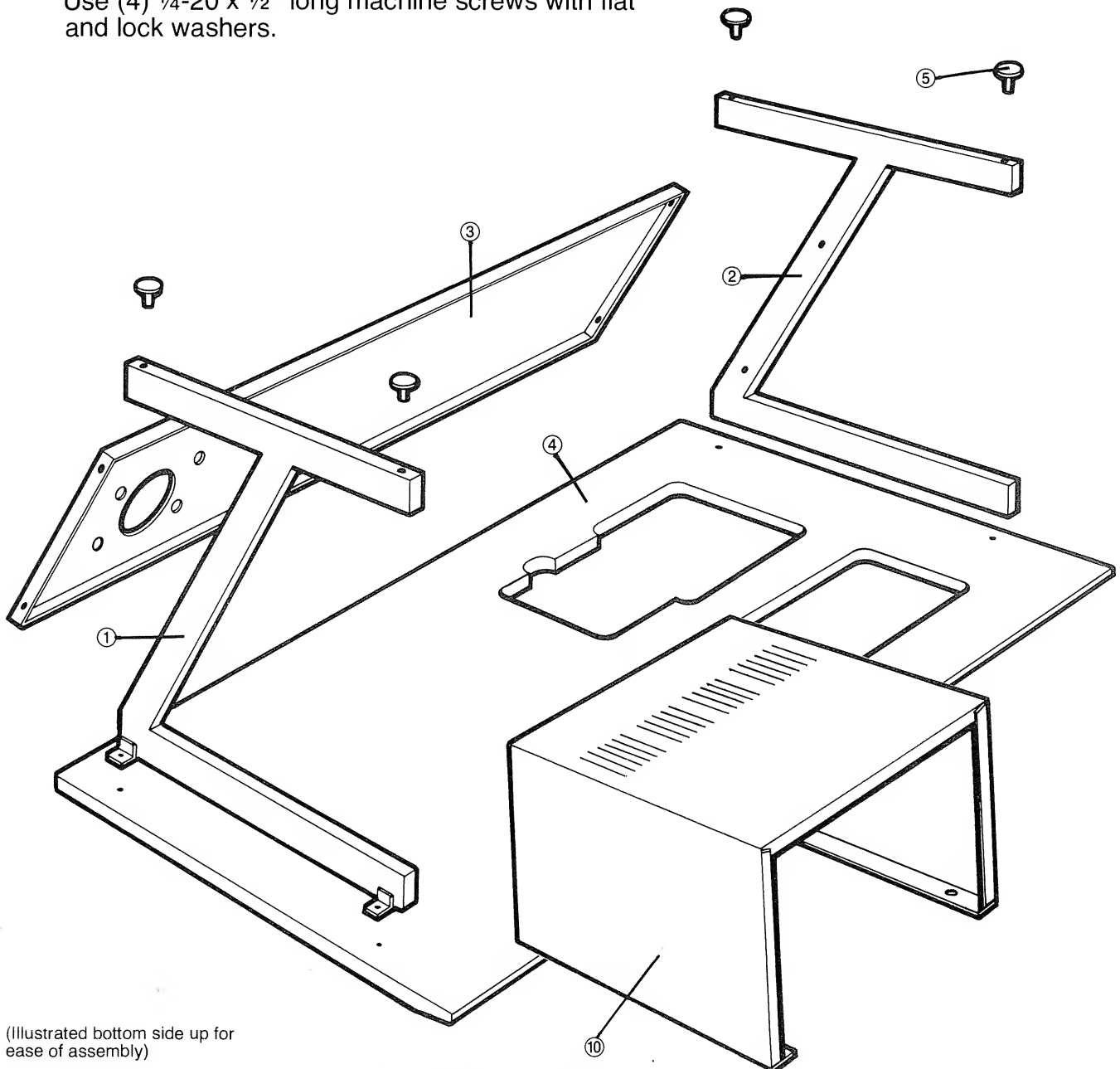
**1:** Attach modesty panel to leg structure so that fan hole is located as shown below. Use (4) 1/4-20 x 3/8" pan hd. screws with flat and lock washers

**2:** Attach legs and modesty panel assembly to desk top. Use (4) #14 x 1" lg. sheet metal screws with flat and lock washers. (Note: Assemble desk top to leg structure so that holes in top are oriented as shown in illustration.)

**3:** Install leveling glides in legs.

**4:** Attach the floppy disc cabinet as shown. Use (4) 1/4-20 x 1/2" long machine screws with flat and lock washers.

<b>Desk Parts</b>		Qty./ Assy.
1) Right Leg		1
2) Left Leg		1
3) Modesty Panel		1
4) Top		1
<b>Desk Hardware</b>		
5) Leveling Glides		4
6) 1/4 Flat Washers		8
7) 1/4 Lock Washers		8
8) 1/4-20 x 3/8" Large pan hd. screws		4
9) #14 x 1" long Sht. Metal Screws		4
<b>Cabinet Parts</b>		
10) Floppy Disc Cabinet		1
11) 1/4-20 x 1/2" Long Machine Screws		4
12) 1/4 Flat Washers		4
13) 1/4 Lock Washers		4



(Illustrated bottom side up for ease of assembly)

# System Assembly Instructions

---

- 1:** Assemble desk.
- 2:** Add wiring to expansion interface and drop in place.
- 3:** Install all units as depicted in photo.
- 4:** Make all cable connections per operators manuals supplied with each unit.
- 5:** Install AC outlet.
- 6:** If using 2 or more mini floppy disc units, we recommend that you use a fan, Radio Shack Cat. No. 26-1303
- 7:** Complete AC connections.



**RADIO SHACK LIMITED WARRANTY**

This equipment is warranted against defects for 90 days from date of purchase. Within this period, we will repair it without charge for parts and labor. Simply **bring your sales slip** as proof of purchase date to any Radio Shack store. Warranty does not cover transportation costs. Nor does it cover equipment subjected to misuse or accidental damage.

~~This Warranty gives you specific legal rights and you may also have other rights which vary from state to state.~~

*We Service What We Sell*

RADIO SHACK  A DIVISION OF TANDY CORPORATION

U.S.A.: FORT WORTH, TEXAS 76102  
CANADA: BARRIE, ONTARIO L4M 4W5

---

**TANDY CORPORATION**

AUSTRALIA

280-316 VICTORIA ROAD  
RYDALMERE, N S W 2116

BELGIUM

PARC INDUSTRIEL DE NANINNE  
514D NANINNE

U K

BILSTON ROAD WEDNESBURY  
WEST MIDLANDS WS10 7JN