

2.

Optimizing subroutines in assembly language

An optimization guide for x86 platforms

By Agner Fog. Technical University of Denmark.
Copyright © 1996 - 2013. Last updated 2013-09-28.

Contents

1	Introduction	4
1.1	Reasons for using assembly code	5
1.2	Reasons for not using assembly code	5
1.3	Operating systems covered by this manual.....	6
2	Before you start.....	7
2.1	Things to decide before you start programming	7
2.2	Make a test strategy.....	8
2.3	Common coding pitfalls.....	9
3	The basics of assembly coding.....	11
3.1	Assemblers available	11
3.2	Register set and basic instructions.....	13
3.3	Addressing modes	18
3.4	Instruction code format	24
3.5	Instruction prefixes.....	26
4	ABI standards.....	27
4.1	Register usage.....	28
4.2	Data storage	28
4.3	Function calling conventions	29
4.4	Name mangling and name decoration	30
4.5	Function examples.....	31
5	Using intrinsic functions in C++	34
5.1	Using intrinsic functions for system code	35
5.2	Using intrinsic functions for instructions not available in standard C++	36
5.3	Using intrinsic functions for vector operations	36
5.4	Availability of intrinsic functions.....	36
6	Using inline assembly.....	36
6.1	MASM style inline assembly	37
6.2	Gnu style inline assembly	42
6.3	Inline assembly in Delphi Pascal.....	45
7	Using an assembler.....	45
7.1	Static link libraries	46
7.2	Dynamic link libraries	47
7.3	Libraries in source code form.....	48
7.4	Making classes in assembly.....	49
7.5	Thread-safe functions	50
7.6	Makefiles	51
8	Making function libraries compatible with multiple compilers and platforms.....	52
8.1	Supporting multiple name mangling schemes	52
8.2	Supporting multiple calling conventions in 32 bit mode	53
8.3	Supporting multiple calling conventions in 64 bit mode	56
8.4	Supporting different object file formats.....	58
8.5	Supporting other high level languages	59
9	Optimizing for speed	60
9.1	Identify the most critical parts of your code	60
9.2	Out of order execution	60

9.3	Instruction fetch, decoding and retirement	63
9.4	Instruction latency and throughput	64
9.5	Break dependency chains.....	65
9.6	Jumps and calls	66
10	Optimizing for size.....	73
10.1	Choosing shorter instructions.....	73
10.2	Using shorter constants and addresses	75
10.3	Reusing constants	76
10.4	Constants in 64-bit mode	76
10.5	Addresses and pointers in 64-bit mode	77
10.6	Making instructions longer for the sake of alignment.....	79
10.7	Using multi-byte NOPs for alignment	81
11	Optimizing memory access.....	82
11.1	How caching works	82
11.2	Trace cache	83
11.3	μop cache	83
11.4	Alignment of data	84
11.5	Alignment of code	86
11.6	Organizing data for improved caching.....	88
11.7	Organizing code for improved caching	88
11.8	Cache control instructions.....	89
12	Loops	89
12.1	Minimize loop overhead	89
12.2	Induction variables	92
12.3	Move loop-invariant code.....	93
12.4	Find the bottlenecks.....	93
12.5	Instruction fetch, decoding and retirement in a loop	94
12.6	Distribute μops evenly between execution units.....	94
12.7	An example of analysis for bottlenecks on PM	95
12.8	Same example on Core2	98
12.9	Same example on Sandy Bridge.....	100
12.10	Same example with FMA4	101
12.11	Same example with FMA3	101
12.12	Loop unrolling	102
12.13	Optimize caching	104
12.14	Parallelization	105
12.15	Analyzing dependences.....	106
12.16	Loops on processors without out-of-order execution	110
12.17	Macro loops	112
13	Vector programming.....	114
13.1	Conditional moves in SIMD registers	115
13.2	Using vector instructions with other types of data than they are intended for	118
13.3	Shuffling data.....	120
13.4	Generating constants.....	124
13.5	Accessing unaligned data and partial vectors	126
13.6	Using AVX instruction set and YMM registers	130
13.7	Vector operations in general purpose registers	135
14	Multithreading.....	136
14.1	Hyperthreading	137
15	CPU dispatching.....	137
15.1	Checking for operating system support for XMM and YMM registers	138
16	Problematic Instructions	140
16.1	LEA instruction (all processors).....	140
16.2	INC and DEC	141
16.3	XCHG (all processors).....	141
16.4	Shifts and rotates (P4)	141
16.5	Rotates through carry (all processors)	141
16.6	Bit test (all processors)	141

16.7 LAHF and SAHF (all processors).....	142
16.8 Integer multiplication (all processors).....	142
16.9 Division (all processors).....	142
16.10 String instructions (all processors).....	145
16.11 Vectorized string instructions (processors with SSE4.2).....	146
16.12 WAIT instruction (all processors).....	146
16.13 FCOM + FSTSW AX (all processors).....	148
16.14 FPREM (all processors).....	149
16.15 FRNDINT (all processors).....	149
16.16 FSCALE and exponential function (all processors).....	149
16.17 FPTAN (all processors).....	150
16.18 FSQRT (SSE processors).....	150
16.19 FLDCW (Most Intel processors).....	151
16.20 MASKMOV instructions.....	151
17 Special topics.....	151
17.1 XMM versus floating point registers.....	151
17.2 MMX versus XMM registers.....	152
17.3 XMM versus YMM registers.....	153
17.4 Freeing floating point registers (all processors).....	153
17.5 Transitions between floating point and MMX instructions.....	154
17.6 Converting from floating point to integer (All processors).....	154
17.7 Using integer instructions for floating point operations.....	155
17.8 Using floating point instructions for integer operations.....	158
17.9 Moving blocks of data (All processors).....	159
17.10 Self-modifying code (All processors).....	161
18 Measuring performance.....	162
18.1 Testing speed.....	162
18.2 The pitfalls of unit-testing.....	164
19 Literature.....	164
20 Copyright notice.....	164

1 Introduction

This is the second in a series of five manuals:

1. Optimizing software in C++: An optimization guide for Windows, Linux and Mac platforms.
2. Optimizing subroutines in assembly language: An optimization guide for x86 platforms.
3. The microarchitecture of Intel, AMD and VIA CPUs: An optimization guide for assembly programmers and compiler makers.
4. Instruction tables: Lists of instruction latencies, throughputs and micro-operation breakdowns for Intel, AMD and VIA CPUs.
5. Calling conventions for different C++ compilers and operating systems.

The latest versions of these manuals are always available from www.agner.org/optimize. Copyright conditions are listed on page 164 below.

The present manual explains how to combine assembly code with a high level programming language and how to optimize CPU-intensive code for speed by using assembly code.

This manual is intended for advanced assembly programmers and compiler makers. It is assumed that the reader has a good understanding of assembly language and some experience with assembly coding. Beginners are advised to seek information elsewhere and get some programming experience before trying the optimization techniques described here. I can recommend the various introductions, tutorials, discussion forums and newsgroups on the Internet (see links from www.agner.org/optimize) and the book "Introduction to 80x86 Assembly Language and Computer Architecture" by R. C. Detmer, 2. ed. 2006.

The present manual covers all platforms that use the x86 and x86-64 instruction set. This instruction set is used by most microprocessors from Intel, AMD and VIA. Operating systems that can use this instruction set include DOS, Windows, Linux, FreeBSD/Open BSD, and Intel-based Mac OS. The manual covers the newest microprocessors and the newest instruction sets. See manual 3 and 4 for details about individual microprocessor models.

Optimization techniques that are not specific to assembly language are discussed in manual 1: "Optimizing software in C++". Details that are specific to a particular microprocessor are covered by manual 3: "The microarchitecture of Intel, AMD and VIA CPUs". Tables of instruction timings etc. are provided in manual 4: "Instruction tables: Lists of instruction latencies, throughputs and micro-operation breakdowns for Intel, AMD and VIA CPUs". Details about calling conventions for different operating systems and compilers are covered in manual 5: "Calling conventions for different C++ compilers and operating systems".

Programming in assembly language is much more difficult than high-level language. Making bugs is very easy, and finding them is very difficult. Now you have been warned! Please don't send your programming questions to me. Such mails will not be answered. There are various discussion forums on the Internet where you can get answers to your programming questions if you cannot find the answers in the relevant books and manuals.

Good luck with your hunt for nanoseconds!

1.1 Reasons for using assembly code

Assembly coding is not used as much today as previously. However, there are still reasons for learning and using assembly code. The main reasons are:

1. Educational reasons. It is important to know how microprocessors and compilers work at the instruction level in order to be able to predict which coding techniques are most efficient, to understand how various constructs in high level languages work, and to track hard-to-find errors.
2. Debugging and verifying. Looking at compiler-generated assembly code or the disassembly window in a debugger is useful for finding errors and for checking how well a compiler optimizes a particular piece of code.
3. Making compilers. Understanding assembly coding techniques is necessary for making compilers, debuggers and other development tools.
4. Embedded systems. Small embedded systems have fewer resources than PC's and mainframes. Assembly programming can be necessary for optimizing code for speed or size in small embedded systems.
5. Hardware drivers and system code. Accessing hardware, system control registers etc. may sometimes be difficult or impossible with high level code.
6. Accessing instructions that are not accessible from high level language. Certain assembly instructions have no high-level language equivalent.
7. Self-modifying code. Self-modifying code is generally not profitable because it interferes with efficient code caching. It may, however, be advantageous for example to include a small compiler in math programs where a user-defined function has to be calculated many times.
8. Optimizing code for size. Storage space and memory is so cheap nowadays that it is not worth the effort to use assembly language for reducing code size. However, cache size is still such a critical resource that it may be useful in some cases to optimize a critical piece of code for size in order to make it fit into the code cache.
9. Optimizing code for speed. Modern C++ compilers generally optimize code quite well in most cases. But there are still cases where compilers perform poorly and where dramatic increases in speed can be achieved by careful assembly programming.
10. Function libraries. The total benefit of optimizing code is higher in function libraries that are used by many programmers.
11. Making function libraries compatible with multiple compilers and operating systems. It is possible to make library functions with multiple entries that are compatible with different compilers and different operating systems. This requires assembly programming.

The main focus in this manual is on optimizing code for speed, though some of the other topics are also discussed.

1.2 Reasons for not using assembly code

There are so many disadvantages and problems involved in assembly programming that it is advisable to consider the alternatives before deciding to use assembly code for a particular task. The most important reasons for *not* using assembly programming are:

1. Development time. Writing code in assembly language takes much longer time than in a high level language.
2. Reliability and security. It is easy to make errors in assembly code. The assembler is not checking if the calling conventions and register save conventions are obeyed. Nobody is checking for you if the number of `PUSH` and `POP` instructions is the same in all possible branches and paths. There are so many possibilities for hidden errors in assembly code that it affects the reliability and security of the project unless you have a very systematic approach to testing and verifying.
3. Debugging and verifying. Assembly code is more difficult to debug and verify because there are more possibilities for errors than in high level code.
4. Maintainability. Assembly code is more difficult to modify and maintain because the language allows unstructured spaghetti code and all kinds of dirty tricks that are difficult for others to understand. Thorough documentation and a consistent programming style is needed.
5. System code can use intrinsic functions instead of assembly. The best modern C++ compilers have intrinsic functions for accessing system control registers and other system instructions. Assembly code is no longer needed for device drivers and other system code when intrinsic functions are available.
6. Application code can use intrinsic functions or vector classes instead of assembly. The best modern C++ compilers have intrinsic functions for vector operations and other special instructions that previously required assembly programming. It is no longer necessary to use old fashioned assembly code to take advantage of the Single-Instruction-Multiple-Data (SIMD) instructions. See page 34.
7. Portability. Assembly code is very platform-specific. Porting to a different platform is difficult. Code that uses intrinsic functions instead of assembly are portable to all x86 and x86-64 platforms.
8. Compilers have been improved a lot in recent years. The best compilers are now better than the average assembly programmer in many situations.
9. Compiled code may be faster than assembly code because compilers can make inter-procedural optimization and whole-program optimization. The assembly programmer usually has to make well-defined functions with a well-defined call interface that obeys all calling conventions in order to make the code testable and verifiable. This prevents many of the optimization methods that compilers use, such as function inlining, register allocation, constant propagation, common sub-expression elimination across functions, scheduling across functions, etc. These advantages can be obtained by using C++ code with intrinsic functions instead of assembly code.

1.3 Operating systems covered by this manual

The following operating systems can use x86 family microprocessors:

16 bit: DOS, Windows 3.x.

32 bit: Windows, Linux, FreeBSD, OpenBSD, NetBSD, Intel-based Mac OS X.

64 bit: Windows, Linux, FreeBSD, OpenBSD, NetBSD, Intel-based Mac OS X.

All the UNIX-like operating systems (Linux, BSD, Mac OS) use the same calling conventions, with very few exceptions. Everything that is said in this manual about Linux also applies to other UNIX-like systems, possibly including systems not mentioned here.

2 Before you start

2.1 Things to decide before you start programming

Before you start to program in assembly, you have to think about why you want to use assembly language, which part of your program you need to make in assembly, and what programming method to use. If you haven't made your development strategy clear, then you will soon find yourself wasting time optimizing the wrong parts of the program, doing things in assembly that could have been done in C++, attempting to optimize things that cannot be optimized further, making spaghetti code that is difficult to maintain, and making code that is full of errors and difficult to debug.

Here is a checklist of things to consider before you start programming:

- Never make the whole program in assembly. That is a waste of time. Assembly code should be used only where speed is critical and where a significant improvement in speed can be obtained. Most of the program should be made in C or C++. These are the programming languages that are most easily combined with assembly code.
- If the purpose of using assembly is to make system code or use special instructions that are not available in standard C++ then you should isolate the part of the program that needs these instructions in a separate function or class with a well defined functionality. Use intrinsic functions (see p. 34) if possible.
- If the purpose of using assembly is to optimize for speed then you have to identify the part of the program that consumes the most CPU time, possibly with the use of a profiler. Check if the bottleneck is file access, memory access, CPU instructions, or something else, as described in manual 1: "Optimizing software in C++". Isolate the critical part of the program into a function or class with a well-defined functionality.
- If the purpose of using assembly is to make a function library then you should clearly define the functionality of the library. Decide whether to make a function library or a class library. Decide whether to use static linking (`.lib` in Windows, `.a` in Linux) or dynamic linking (`.dll` in Windows, `.so` in Linux). Static linking is usually more efficient, but dynamic linking may be necessary if the library is called from languages such as C# and Visual Basic. You may possibly make both a static and a dynamic link version of the library.
- If the purpose of using assembly is to optimize an embedded application for size or speed then find a development tool that supports both C/C++ and assembly and make as much as possible in C or C++.
- Decide if the code is reusable or application-specific. Spending time on careful optimization is more justified if the code is reusable. A reusable code is most appropriately implemented as a function library or class library.
- Decide if the code should support multithreading. A multithreading application can take advantage of microprocessors with multiple cores. Any data that must be preserved from one function call to the next on a per-thread basis should be stored in a C++ class or a per-thread buffer supplied by the calling program.

- Decide if portability is important for your application. Should the application work in both Windows, Linux and Intel-based Mac OS? Should it work in both 32 bit and 64 bit mode? Should it work on non-x86 platforms? This is important for the choice of compiler, assembler and programming method.
- Decide if your application should work on old microprocessors. If so, then you may make one version for microprocessors with, for example, the SSE2 instruction set, and another version which is compatible with old microprocessors. You may even make several versions, each optimized for a particular CPU. It is recommended to make automatic CPU dispatching (see page 137).
- There are three assembly programming methods to choose between: (1) Use intrinsic functions and vector classes in a C++ compiler. (2) Use inline assembly in a C++ compiler. (3) Use an assembler. These three methods and their relative advantages and disadvantages are described in chapter 5, 6 and 7 respectively (page 34, 36 and 45 respectively).
- If you are using an assembler then you have to choose between different syntax dialects. It may be preferred to use an assembler that is compatible with the assembly code that your C++ compiler can generate.
- Make your code in C++ first and optimize it as much as you can, using the methods described in manual 1: "Optimizing software in C++". Make the compiler translate the code to assembly. Look at the compiler-generated code and see if there are any possibilities for improvement in the code.
- Highly optimized code tends to be very difficult to read and understand for others and even for yourself when you get back to it after some time. In order to make it possible to maintain the code, it is important that you organize it into small logical units (procedures or macros) with a well-defined interface and calling convention and appropriate comments. Decide on a consistent strategy for code comments and documentation.
- Save the compiler, assembler and all other development tools together with the source code and project files for later maintenance. Compatible tools may not be available in a few years when updates and modifications in the code are needed.

2.2 Make a test strategy

Assembly code is error prone, difficult to debug, difficult to make in a clearly structured way, difficult to read, and difficult to maintain, as I have already mentioned. A consistent test strategy can ameliorate some of these problems and save you a lot of time.

My recommendation is to make the assembly code as an isolated module, function, class or library with a well-defined interface to the calling program. Make it all in C++ first. Then make a test program which can test all aspects of the code you want to optimize. It is easier and safer to use a test program than to test the module in the final application.

The test program has two purposes. The first purpose is to verify that the assembly code works correctly in all situations. And the second purpose is to test the speed of the assembly code without invoking the user interface, file access and other parts of the final application program that may make the speed measurements less accurate and less reproducible.

You should use the test program repeatedly after each step in the development process and after each modification of the code.

Make sure the test program works correctly. It is quite common to spend a lot of time looking for an error in the code under test when in fact the error is in the test program.

There are different test methods that can be used for verifying that the code works correctly. A white box test supplies a carefully chosen series of different sets of input data to make sure that all branches, paths and special cases in the code are tested. A black box test supplies a series of random input data and verifies that the output is correct. A very long series of random data from a good random number generator can sometimes find rarely occurring errors that the white box test hasn't found.

The test program may compare the output of the assembly code with the output of a C++ implementation to verify that it is correct. The test should cover all boundary cases and preferably also illegal input data to see if the code generates the correct error responses.

The speed test should supply a realistic set of input data. A significant part of the CPU time may be spent on branch mispredictions in code that contains a lot of branches. The amount of branch mispredictions depends on the degree of randomness in the input data. You may experiment with the degree of randomness in the input data to see how much it influences the computation time, and then decide on a realistic degree of randomness that matches a typical real application.

An automatic test program that supplies a long stream of test data will typically find more errors and find them much faster than testing the code in the final application. A good test program will find most errors, but you cannot be sure that it finds all errors. It is possible that some errors show up only in combination with the final application.

2.3 Common coding pitfalls

The following list points out some of the most common programming errors in assembly code.

1. Forgetting to save registers. Some registers have callee-save status, for example `EBX`. These registers must be saved in the prolog of a function and restored in the epilog if they are modified inside the function. Remember that the order of `POP` instructions must be the opposite of the order of `PUSH` instructions. See page 28 for a list of callee-save registers.
2. Unmatched `PUSH` and `POP` instructions. The number of `PUSH` and `POP` instructions must be equal for all possible paths through a function. Example:

```
Example 2.1. Unmatched push/pop
push ebx
test ecx, ecx
jz  Finished
...
pop ebx
Finished:      ; Wrong! Label should be before pop ebx
ret
```

Here, the value of `EBX` that is pushed is not popped again if `ECX` is zero. The result is that the `RET` instruction will pop the former value of `EBX` and jump to a wrong address.

3. Using a register that is reserved for another purpose. Some compilers reserve the use of `EBP` or `EBX` for a frame pointer or other purpose. Using these registers for a different purpose in inline assembly can cause errors.

4. Stack-relative addressing after push. When addressing a variable relative to the stack pointer, you must take into account all preceding instructions that modify the stack pointer. Example:

```
Example 2.2. Stack-relative addressing
mov [esp+4], edi
push ebp
push ebx
cmp esi, [esp+4] ; Probably wrong!
```

Here, the programmer probably intended to compare `ESI` with `EDI`, but the value of `ESP` that is used for addressing has been changed by the two `PUSH` instructions, so that `ESI` is in fact compared with `EBP` instead.

5. Confusing value and address of a variable. Example:

```
Example 2.3. Value versus address (MASM syntax)
.data
MyVariable DD 0 ; Define variable

.code
mov eax, MyVariable ; Gets value of MyVariable
mov eax, offset MyVariable ; Gets address of MyVariable
lea eax, MyVariable ; Gets address of MyVariable
mov ebx, [eax] ; Gets value of MyVariable through pointer
mov ebx, [100] ; Gets the constant 100 despite brackets
mov ebx, ds:[100] ; Gets value from address 100
```

6. Ignoring calling conventions. It is important to observe the calling conventions for functions, such as the order of parameters, whether parameters are transferred on the stack or in registers, and whether the stack is cleaned up by the caller or the called function. See page 27.
7. Function name mangling. A C++ code that calls an assembly function should use `extern "C"` to avoid name mangling. Some systems require that an underscore (`_`) is put in front of the name in the assembly code. See page 30.
8. Forgetting return. A function declaration must end with both `RET` and `ENDP`. Using one of these is not enough. The execution will continue in the code after the procedure if there is no `RET`.
9. Forgetting stack alignment. The stack pointer must point to an address divisible by 16 before any call statement, except in 16-bit systems and 32-bit Windows. See page 27.
10. Forgetting shadow space in 64-bit Windows. It is required to reserve 32 bytes of empty stack space before any function call in 64-bit Windows. See page 30.
11. Mixing calling conventions. The calling conventions in 64-bit Windows and 64-bit Linux are different. See page 27.
12. Forgetting to clean up floating point register stack. All floating point stack registers that are used by a function must be cleared, typically with `FSTP ST(0)`, before the function returns, except for `ST(0)` if it is used for return value. It is necessary to keep track of exactly how many floating point registers are in use. If a functions pushes more values on the floating point register stack than it pops, then the register stack will grow each time the function is called. An exception is generated when the stack is full. This exception may occur somewhere else in the program.

13. Forgetting to clear MMX state. A function that uses MMX registers must clear these with the `EMMS` instruction before any call or return.
14. Forgetting to clear YMM state. A function that uses YMM registers must clear these with the `VZERoupper` or `VZEROALL` instruction before any call or return.
15. Forgetting to clear direction flag. Any function that sets the direction flag with `STD` must clear it with `CLD` before any call or return.
16. Mixing signed and unsigned integers. Unsigned integers are compared using the `JB` and `JA` instructions. Signed integers are compared using the `JL` and `JG` instructions. Mixing signed and unsigned integers can have unintended consequences.
17. Forgetting to scale array index. An array index must be multiplied by the size of one array element. For example `mov eax, MyIntegerArray[ebx*4]`.
18. Exceeding array bounds. An array with n elements is indexed from 0 to $n - 1$, not from 1 to n . A defective loop writing outside the bounds of an array can cause errors elsewhere in the program that are hard to find.
19. Loop with `ECX = 0`. A loop that ends with the `LOOP` instruction will repeat 2^{32} times if `ECX` is zero. Be sure to check if `ECX` is zero before the loop.
20. Reading carry flag after `INC` or `DEC`. The `INC` and `DEC` instructions do not change the carry flag. Do not use instructions that read the carry flag, such as `ADC`, `SBB`, `JC`, `JBE`, `SETA`, etc. after `INC` or `DEC`. Use `ADD` and `SUB` instead of `INC` and `DEC` to avoid this problem.

3 The basics of assembly coding

3.1 Assemblers available

There are several assemblers available for the x86 instruction set, but currently none of them is good enough for universal recommendation. Assembly programmers are in the unfortunate situation that there is no universally agreed syntax for x86 assembly. Different assemblers use different syntax variants. The most common assemblers are listed below.

MASM

The Microsoft assembler is included with Microsoft C++ compilers. Free versions can sometimes be obtained by downloading the Microsoft Windows driver kit (WDK) or the platforms software development kit (SDK) or as an add-on to the free Visual C++ Express Edition. MASM has been a de-facto standard in the Windows world for many years, and the assembly output of most Windows compilers uses MASM syntax. MASM has many advanced language features. The syntax is somewhat messy and inconsistent due to a heritage that dates back to the very first assemblers for the 8086 processor. Microsoft is still maintaining MASM in order to provide a complete set of development tools for Windows, but it is obviously not profitable and the maintenance of MASM is apparently kept at a minimum. New instruction sets are still added regularly, but the 64-bit version has several deficiencies. Newer versions can run only when the compiler is installed and only in Windows XP or later. Version 6 and earlier can run in any system, including Linux with a Windows emulator. Such versions are circulating on the web.

GAS

The Gnu assembler is part of the Gnu Binutils package that is included with most distributions of Linux, BSD and Mac OS X. The Gnu compilers produce assembly output

that goes through the Gnu assembler before it is linked. The Gnu assembler traditionally uses the AT&T syntax that works well for machine-generated code, but it is very inconvenient for human-generated assembly code. The AT&T syntax has the operands in an order that differs from all other x86 assemblers and from the instruction documentation published by Intel and AMD. It uses various prefixes like `%` and `$` for specifying operand types. The Gnu assembler is available for all x86 platforms.

Fortunately, newer versions of the Gnu assembler has an option for using Intel syntax instead. The Gnu-Intel syntax is almost identical to MASM syntax. The Gnu-Intel syntax defines only the syntax for instruction codes, not for directives, functions, macros, etc. The directives still use the old Gnu-AT&T syntax. Specify `.intel_syntax noprefix` to use the Intel syntax. Specify `.att_syntax prefix` to return to the AT&T syntax before leaving inline assembly in C or C++ code.

NASM

NASM is a free open source assembler with support for several platforms and object file formats. The syntax is more clear and consistent than MASM syntax. NASM has fewer high-level features than MASM, but it is sufficient for most purposes. NASM would be my best recommendation for a free multi-platform assembler if you don't need MASM syntax.

YASM

YASM is very similar to NASM and uses exactly the same syntax. YASM was previously more reliable than NASM, but is no longer updated regularly.

FASM

The Flat assembler is another open source assembler for multiple platforms. The syntax is not compatible with other assemblers. FASM is itself written in assembly language - an enticing idea, but unfortunately this makes the development and maintenance of it less efficient.

WASM

The WASM assembler is included with the Open Watcom C++ compiler. The syntax resembles MASM but is somewhat different. Not fully up to date.

JWASM

JWASM is a further development of WASM. It is fully compatible with MASM syntax, including advanced macro and high level directives. JWASM is a good choice if MASM syntax is desired.

TASM

Borland Turbo Assembler is included with CodeGear C++ Builder. It is compatible with MASM syntax except for some newer syntax additions. TASM is no longer maintained but is still available. It is obsolete and does not support current instruction sets.

GOASM

GoAsm is a free assembler for 32- and 64-bits Windows including resource compiler, linker and debugger. The syntax is similar to MASM but not fully compatible. It is currently not up to date with the latest instruction sets. An integrated development environment (IDE) named Easy Code is also available.

HLA

High Level Assembler is actually a high level language compiler that allows assembly-like statements and produces assembly output. This was probably a good idea at the time it was invented, but today where the best C++ compilers support intrinsic functions, I believe that HLA is no longer needed.

Inline assembly

Microsoft and Intel C++ compilers support inline assembly using a subset of the MASM syntax. It is possible to access C++ variables, functions and labels simply by inserting their names in the assembly code. This is easy, but does not support C++ register variables. See page 36.

The Gnu compiler supports inline assembly with access to the full range of instructions and directives of the Gnu assembler in both Intel and AT&T syntax. The access to C++ variables from assembly uses a quite complicated method.

The Intel compilers for Linux and Mac systems support both the Microsoft style and the Gnu style of inline assembly.

Intrinsic functions in C++

This is the newest and most convenient way of combining low-level and high-level code. Intrinsic functions are high-level language representatives of machine instructions. For example, you can do a vector addition in C++ by calling the intrinsic function that is equivalent to an assembly instruction for vector addition. Furthermore, it is possible to define a vector class with an overloaded `+` operator so that a vector addition is obtained simply by writing `+`. Intrinsic functions are supported by Microsoft, Intel and Gnu compilers. See page 34 and manual 1: "Optimizing software in C++".

Which assembler to choose?

In most cases, the easiest solution is to use intrinsic functions in C++ code. The compiler can take care of most of the optimization so that the programmer can concentrate on choosing the best algorithm and organizing the data into vectors. System programmers can access system instructions by using intrinsic functions without having to use assembly language.

Where real low-level programming is needed, such as in highly optimized function libraries or device drivers, you may use an assembler.

It may be preferred to use an assembler that is compatible with the C++ compiler you are using. This allows you to use the compiler for translating C++ to assembly, optimize the assembly code further, and then assemble it. If the assembler is not compatible with the syntax generated by the compiler then you may generate an object file with the compiler and disassemble the object file to the assembly syntax you need. The [objconv](#) disassembler supports several different syntax dialects.

The NASM assembler is a good choice for many purposes because it supports many platforms and object file formats, it is well maintained, and usually up to date with the latest instruction sets.

The examples in this manual use MASM syntax, unless otherwise noted. The MASM syntax is described in Microsoft Macro Assembler Reference at msdn.microsoft.com.

See www.agner.org/optimize for links to various syntax manuals, coding manuals and discussion forums.

3.2 Register set and basic instructions

Registers in 16 bit mode

General purpose and integer registers

Full register	Partial register	Partial register
----------------------	-------------------------	-------------------------

bit 0 - 15	bit 8 - 15	bit 0 - 7
AX	AH	AL
BX	BH	BL
CX	CH	CL
DX	DH	DL
SI		
DI		
BP		
SP		
Flags		
IP		

Table 3.1. General purpose registers in 16 bit mode.

The 32-bit registers are also available in 16-bit mode if supported by the microprocessor and operating system. The high word of `ESP` should not be used because it is not saved during interrupts.

Floating point registers

Full register bit 0 - 79
ST (0)
ST (1)
ST (2)
ST (3)
ST (4)
ST (5)
ST (6)
ST (7)

Table 3.2. Floating point stack registers

MMX registers may be available if supported by the microprocessor. XMM registers may be available if supported by microprocessor and operating system.

Segment registers

Full register bit 0 - 15
CS
DS
ES
SS

Table 3.3. Segment registers in 16 bit mode

Register `FS` and `GS` may be available.

Registers in 32 bit mode

General purpose and integer registers

Full register bit 0 - 31	Partial register bit 0 - 15	Partial register bit 8 - 15	Partial register bit 0 - 7
EAX	AX	AH	AL
EBX	BX	BH	BL
ECX	CX	CH	CL
EDX	DX	DH	DL
ESI	SI		
EDI	DI		
EBP	BP		
ESP	SP		
EFlags	Flags		
EIP	IP		

Table 3.4. General purpose registers in 32 bit mode

Floating point and 64-bit vector registers

Full register bit 0 - 79	Partial register bit 0 - 63
ST(0)	MM0
ST(1)	MM1
ST(2)	MM2
ST(3)	MM3
ST(4)	MM4
ST(5)	MM5
ST(6)	MM6
ST(7)	MM7

Table 3.5. Floating point and MMX registers

The MMX registers are only available if supported by the microprocessor. The ST and MMX registers cannot be used in the same part of the code. A section of code using MMX registers must be separated from any subsequent section using ST registers by executing an `EMMS` instruction.

128- and 256-bit integer and floating point vector registers

Full register bit 0 - 255	Full or partial register bit 0 - 127
YMM0	XMM0
YMM1	XMM1
YMM2	XMM2
YMM3	XMM3
YMM4	XMM4
YMM5	XMM5
YMM6	XMM6
YMM7	XMM7

Table 3.6. XMM and YMM registers in 32 bit mode

The XMM registers are only available if supported both by the microprocessor and the operating system. Scalar floating point instructions use only 32 or 64 bits of the XMM registers for single or double precision, respectively. The YMM registers are available only if the processor and the operating system supports the AVX instruction set.

Segment registers

Full register bit 0 - 15
CS
DS
ES
FS

GS
SS
Table 3.7. Segment registers in 32 bit mode

Registers in 64 bit mode

General purpose and integer registers

Full register bit 0 - 63	Partial register bit 0 - 31	Partial register bit 0 - 15	Partial register bit 8 - 15	Partial register bit 0 - 7
RAX	EAX	AX	AH	AL
RBX	EBX	BX	BH	BL
RCX	ECX	CX	CH	CL
RDX	EDX	DX	DH	DL
RSI	ESI	SI		SIL
RDI	EDI	DI		DIL
RBP	EBP	BP		BPL
RSP	ESP	SP		SPL
R8	R8D	R8W		R8B
R9	R9D	R9W		R9B
R10	R10D	R10W		R10B
R11	R11D	R11W		R11B
R12	R12D	R12W		R12B
R13	R13D	R13W		R13B
R14	R14D	R14W		R14B
R15	R15D	R15W		R15B
RFlags		Flags		
RIP				
Table 3.8. Registers in 64 bit mode				

The high 8-bit registers `AH`, `BH`, `CH`, `DH` can only be used in instructions that have no REX prefix.

Note that modifying a 32-bit partial register will set the rest of the register (bit 32-63) to zero, but modifying an 8-bit or 16-bit partial register does not affect the rest of the register. This can be illustrated by the following sequence:

```
; Example 3.1. 8, 16, 32 and 64 bit registers
mov rax, 1111111111111111H ; rax = 1111111111111111H
mov eax, 22222222H ; rax = 0000000022222222H
mov ax, 3333H ; rax = 0000000022223333H
mov al, 44H ; rax = 0000000022223344H
```

There is a good reason for this inconsistency. Setting the unused part of a register to zero is more efficient than leaving it unchanged because this removes a false dependence on previous values. But the principle of resetting the unused part of a register cannot be extended to 16 bit and 8 bit partial registers because this would break the backwards compatibility with 32-bit and 16-bit modes.

The only instruction that can have a 64-bit immediate data operand is `MOV`. Other integer instructions can only have a 32-bit sign extended operand. Examples:

```
; Example 3.2. Immediate operands, full and sign extended
mov rax, 1111111111111111H ; Full 64 bit immediate operand
mov rax, -1 ; 32 bit sign-extended operand
mov eax, 0ffffffffH ; 32 bit zero-extended operand
add rax, 1 ; 8 bit sign-extended operand
```



```

add rax, 100H ; 32 bit sign-extended operand
add eax, 100H ; 32 bit operand. result is zero-extended
mov rbx, 100000000H ; 64 bit immediate operand
add rax, rbx ; Use an extra register if big operand

```

It is not possible to use a 16-bit sign-extended operand. If you need to add an immediate value to a 64 bit register then it is necessary to first move the value into another register if the value is too big for fitting into a 32 bit sign-extended operand.

Floating point and 64-bit vector registers

Full register bit 0 - 79	Partial register bit 0 - 63
ST(0)	MM0
ST(1)	MM1
ST(2)	MM2
ST(3)	MM3
ST(4)	MM4
ST(5)	MM5
ST(6)	MM6
ST(7)	MM7

Table 3.9. Floating point and MMX registers

The ST and MMX registers cannot be used in the same part of the code. A section of code using MMX registers must be separated from any subsequent section using ST registers by executing an `EMMS` instruction. The ST and MMX registers cannot be used in device drivers for 64-bit Windows.

128- and 256-bit integer and floating point vector registers

Full register bit 0 - 255	Full or partial register bit 0 - 127
YMM0	XMM0
YMM1	XMM1
YMM2	XMM2
YMM3	XMM3
YMM4	XMM4
YMM5	XMM5
YMM6	XMM6
YMM7	XMM7
YMM8	XMM8
YMM9	XMM9
YMM10	XMM10
YMM11	XMM11
YMM12	XMM12
YMM13	XMM13
YMM14	XMM14
YMM15	XMM15

Table 3.10. XMM and YMM registers in 64 bit mode

Scalar floating point instructions use only 32 or 64 bits of the XMM registers for single or double precision, respectively. The YMM registers are available only if the processor and the operating system supports the AVX instruction set.

Segment registers

Full register bit 0 - 15
CS
FS
GS

Table 3.11. Segment registers in 64 bit mode

Segment registers are only used for special purposes.

3.3 Addressing modes

Addressing in 16-bit mode

16-bit code uses a segmented memory model. A memory operand can have any of these components:

- A segment specification. This can be any segment register or a segment or group name associated with a segment register. (The default segment is `DS`, except if `BP` is used as base register). The segment can be implied from a label defined inside a segment.
- A label defining a relocatable offset. The offset relative to the start of the segment is calculated by the linker.
- An immediate offset. This is a constant. If there is also a relocatable offset then the values are added.
- A base register. This can only be `BX` or `BP`.
- An index register. This can only be `SI` or `DI`. There can be no scale factor.

A memory operand can have all of these components. An operand containing only an immediate offset is not interpreted as a memory operand by the MASM assembler, even if it has a `[]`. Examples:

```
; Example 3.3. Memory operands in 16-bit mode
MOV AX, DS:[100H] ; Address has segment and immediate offset
ADD AX, MEM[SI]+4 ; Has relocatable offset and index and immediate
```

Data structures bigger than 64 kb are handled in the following ways. In real mode and virtual mode (DOS): Adding 1 to the segment register corresponds to adding 10H to the offset. In protected mode (Windows 3.x): Adding 8 to the segment register corresponds to adding 10000H to the offset. The value added to the segment must be a multiple of 8.

Addressing in 32-bit mode

32-bit code uses a flat memory model in most cases. Segmentation is possible but only used for special purposes (e.g. thread environment block in `FS`).

A memory operand can have any of these components:

- A segment specification. Not used in flat mode.
- A label defining a relocatable offset. The offset relative to the `FLAT` segment group is calculated by the linker.
- An immediate offset. This is a constant. If there is also a relocatable offset then the values are added.
- A base register. This can be any 32 bit register.

- An index register. This can be any 32 bit register except `ESP`.
- A scale factor applied to the index register. Allowed values are 1, 2, 4, 8.

A memory operand can have all of these components. Examples:

```
; Example 3.4. Memory operands in 32-bit mode
mov  eax, fs:[10H]      ; Address has segment and immediate offset
add  eax, mem[esi]     ; Has relocatable offset and index
add  eax, [esp+ecx*4+8] ; Base, index, scale and immediate offset
```

Position-independent code in 32-bit mode

Position-independent code is required for making shared objects (`*.so`) in 32-bit Unix-like systems. The method commonly used for making position-independent code in 32-bit Linux and BSD is to use a global offset table (GOT) containing the addresses of all static objects. The GOT method is quite inefficient because the code has to fetch an address from the GOT every time it reads or writes data in the data segment. A faster method is to use an arbitrary reference point, as shown in the following example:

```
; Example 3.5a. Position-independent code, 32 bit, YASM syntax
SECTION .data
alpha: dd      1
beta:  dd      2

SECTION .text

funca: ; This function returns alpha + beta
      call    get_thunk_ecx      ; get ecx = eip
refpoint: ; ecx points here
      mov     eax, [ecx+alpha-refpoint] ; relative address
      add     eax, [ecx+beta -refpoint] ; relative address
      ret

get_thunk_ecx: ; Function for reading instruction pointer
      mov     ecx, [esp]
      ret
```

The only instruction that can read the instruction pointer in 32-bit mode is the `call` instruction. In example 3.5 we are using `call get_thunk_ecx` for reading the instruction pointer (`eip`) into `ecx`. `ecx` will then point to the first instruction after the `call`. This is our reference point, named `refpoint`.

The Gnu compiler for 32-bit Mac OS X uses a slightly different version of this method:

```
Example 3.5b. Bad method!
funca: ; This function returns alpha + beta
      call    refpoint          ; get eip on stack
refpoint:
      pop     ecx                ; pop eip from stack
      mov     eax, [ecx+alpha-refpoint] ; relative address
      add     eax, [ecx+beta -refpoint] ; relative address
      ret
```

The method used in example 3.5b is bad because it has a `call` instruction that is not matched by a `return`. This will cause subsequent `return`s to be mispredicted. (See manual 3: "The microarchitecture of Intel, AMD and VIA CPUs" for an explanation of return prediction).

This method is commonly used in Mac systems, where the mach-o file format supports references relative to an arbitrary point. Other file formats don't support this kind of reference, but it is possible to use a self-relative reference with an offset. The YASM and

Gnu assemblers will do this automatically, while most other assemblers are unable to handle this situation. It is therefore necessary to use a YASM or Gnu assembler if you want to generate position-independent code in 32-bit mode with this method. The code may look strange in a debugger or disassembler, but it executes without any problems in 32-bit Linux, BSD and Windows systems. In 32-bit Mac systems, the loader may not identify the section of the target correctly unless you are using an assembler that supports the reference point method (I am not aware of any other assembler than the Gnu assembler that can do this correctly).

The GOT method would use the same reference point method as in example 3.5a for addressing the GOT, and then use the GOT to read the addresses of `alpha` and `beta` into other pointer registers. This is an unnecessary waste of time and registers because if we can access the GOT relative to the reference point, then we can just as well access `alpha` and `beta` relative to the reference point.

The pointer tables used in `switch/case` statements can use the same reference point for the table and for the pointers in the table:

```

; Example 3.6. Position-independent switch, 32 bit, YASM syntax
SECTION .data

jumptable: dd case1-refpoint, case2-refpoint, case3-refpoint

SECTION .text

funcb: ; This function implements a switch statement
      mov     eax, [esp+4]           ; function parameter
      call   get_thunk_ecx         ; get ecx = eip
refpoint: ; ecx points here
      cmp     eax, 3
      jnb    case_default         ; index out of range
      mov     eax, [ecx+eax*4+jumptable-refpoint] ; read table entry
; The jump addresses are relative to refpoint, get absolute address:
      add     eax, ecx
      jmp     eax                 ; jump to desired case

case1:  ...
      ret
case2:  ...
      ret
case3:  ...
      ret
case_default:
      ...
      ret

get_thunk_ecx: ; Function for reading instruction pointer
      mov     ecx, [esp]
      ret

```

Addressing in 64-bit mode

64-bit code always uses a flat memory model. Segmentation is impossible except for `FS` and `GS` which are used for special purposes only (thread environment block, etc.).

There are several different addressing modes in 64-bit mode: RIP-relative, 32-bit absolute, 64-bit absolute, and relative to a base register.

RIP-relative addressing

This is the preferred addressing mode for static data. The address contains a 32-bit sign-extended offset relative to the instruction pointer. The address cannot contain any segment register or index register, and no base register other than `RIP`, which is implicit. Example:

```
; Example 3.7a. RIP-relative memory operand, MASM syntax
mov eax, [mem]

; Example 3.7b. RIP-relative memory operand, NASM/YASM syntax
default rel
mov eax, [mem]

; Example 3.7c. RIP-relative memory operand, Gas/Intel syntax
mov eax, [mem+rip]
```

The MASM assembler always generates RIP-relative addresses for static data when no explicit base or index register is specified. On other assemblers you must remember to specify relative addressing.

32-bit absolute addressing in 64 bit mode

A 32-bit constant address is sign-extended to 64 bits. This addressing mode works only if it is certain that all addresses are below 2^{31} (or above -2^{31} for system code).

It is safe to use 32-bit absolute addressing in Linux and BSD main executables, where all addresses are below 2^{31} by default, but it cannot be used in shared objects. 32-bit absolute addresses will normally work in Windows main executables as well (but not DLLs), but no Windows compiler is using this possibility.

32-bit absolute addresses cannot be used in Mac OS X, where addresses are above 2^{32} by default.

Note that NASM, YASM and Gnu assemblers can make 32-bit absolute addresses when you do not explicitly specify rip-relative addresses. You have to specify `default rel` in NASM/YASM or `[mem+rip]` in Gas to avoid 32-bit absolute addresses.

There is absolutely no reason to use absolute addresses for simple memory operands. Rip-relative addresses make instructions shorter, they eliminate the need for relocation at load time, and they are safe to use in all systems.

Absolute addresses are needed only for accessing arrays where there is an index register, e.g.

```
; Example 3.8. 32 bit absolute addresses in 64-bit mode
mov al, [chararray + rsi]
mov ebx, [intarray + rsi*4]
```

This method can be used only if the address is guaranteed to be $< 2^{31}$, as explained above. See below for alternative methods of addressing static arrays.

The MASM assembler generates absolute addresses only when a base or index register is specified together with a memory label as in example 3.8 above.

The index register should preferably be a 64-bit register, not a 32-bit register. Segmentation is possible only with `FS` or `GS`.

64-bit absolute addressing

This uses a 64-bit absolute virtual address. The address cannot contain any segment register, base or index register. 64-bit absolute addresses can only be used with the `MOV` instruction, and only with `AL`, `AX`, `EAX` or `RAX` as source or destination.

```
; Example 3.9. 64 bit absolute address, YASM/NASM syntax
mov eax, dword [qword a]
```

This addressing mode is not supported by the MASM assembler, but it is supported by other assemblers.

Addressing relative to 64-bit base register

A memory operand in this mode can have any of these components:

- A base register. This can be any 64 bit integer register.
- An index register. This can be any 64 bit integer register except `RSP`.
- A scale factor applied to the index register. The only possible values are 1, 2, 4, 8.
- An immediate offset. This is a constant offset relative to the base register.

A base register is always needed for this addressing mode. The other components are optional. Examples:

```
; Example 3.10. Base register addressing in 64 bit mode
mov  eax, [rsi]
add  eax, [rsp + 4*rcx + 8]
```

This addressing mode is used for data on the stack, for structure and class members and for arrays.

Addressing static arrays in 64 bit mode

It is not possible to access static arrays with RIP-relative addressing and an index register. There are several possible alternatives.

The following examples address static arrays. The C++ code for this example is:

```
// Example 3.11a. Static arrays in 64 bit mode
// C++ code:
static int a[100], b[100];
for (int i = 0; i < 100; i++) {
    b[i] = -a[i];
}
```

The simplest solution is to use 32-bit absolute addresses. This is possible as long as the addresses are below 2^{31} .

```
; Example 3.11b. Use 32-bit absolute addresses
; (64 bit Linux)
; Assumes that image base < 80000000H
.data
A    DD 100 dup (?)      ; Define static array A
B    DD 100 dup (?)      ; Define static array B

.code
xor  ecx, ecx            ; i = 0

TOPOFLOOP:              ; Top of loop
mov  eax, [A+rcx*4]      ; 32-bit address + scaled index
neg  eax
mov  [B+rcx*4], eax      ; 32-bit address + scaled index
```

```

add ecx, 1
cmp ecx, 100 ; i < 100
jb TOPOFLOOP ; Loop

```

The assembler will generate a 32-bit relocatable address for `A` and `B` in example 3.11b because it cannot combine a RIP-relative address with an index register.

This method is used by Gnu and Intel compilers in 64-bit Linux to access static arrays. It is not used by any compiler for 64-bit Windows, I have seen, but it works in Windows as well if the address is less than 2^{31} . The image base is typically 2^{22} for application programs and between 2^{28} and 2^{29} for DLL's, so this method will work in most cases, but not all. This method cannot normally be used in 64-bit Mac systems because all addresses are above 2^{32} by default.

The second method is to use image-relative addressing. The following solution loads the image base into register `RBX` by using a `LEA` instruction with a RIP-relative address:

```

; Example 3.11c. Address relative to image base
; 64 bit, Windows only, MASM assembler
.data
A DD 100 dup (?)
B DD 100 dup (?)
extern __ImageBase:byte

.code
lea rbx, __ImageBase ; Use RIP-relative address of image base
xor ecx, ecx ; i = 0

TOPOFLOOP: ; Top of loop
; imagerel(A) = address of A relative to image base:
mov eax, [(imagerel A) + rbx + rcx*4]
neg eax
mov [(imagerel B) + rbx + rcx*4], eax
add ecx, 1
cmp ecx, 100
jb TOPOFLOOP

```

This method is used in 64 bit Windows only. In Linux, the image base is available as `__executable_start`, but image-relative addresses are not supported in the ELF file format. The Mach-O format allows addresses relative to an arbitrary reference point, including the image base, which is available as `__mh_execute_header`.

The third solution loads the address of array `A` into register `RBX` by using a `LEA` instruction with a RIP-relative address. The address of `B` is calculated relative to `A`.

```

; Example 3.11d.
; Load address of array into base register
; (All 64-bit systems)
.data
A DD 100 dup (?)
B DD 100 dup (?)

.code
lea rbx, [A] ; Load RIP-relative address of A
xor ecx, ecx ; i = 0

TOPOFLOOP: ; Top of loop
mov eax, [rbx + 4*rcx] ; A[i]
neg eax
mov [(B-A) + rbx + 4*rcx], eax ; Use offset of B relative to A
add ecx, 1
cmp ecx, 100

```

```
jb TOPOFLOOP
```

Note that we can use a 32-bit instruction for incrementing the index (`ADD ECX, 1`), even though we are using the 64-bit register for index (`RCX`). This works because we are sure that the index is non-negative and less than 2^{32} . This method can use any address in the data segment as a reference point and calculate other addresses relative to this reference point.

If an array is more than 2^{31} bytes away from the instruction pointer then we have to load the full 64 bit address into a base register. For example, we can replace `LEA RBX, [A]` with `MOV RBX, OFFSET A` in example 3.11d.

Position-independent code in 64-bit mode

Position-independent code is easy to make in 64-bit mode. Static data can be accessed with rip-relative addressing. Static arrays can be accessed as in example 3.11d.

The pointer tables of switch statements can be made relative to an arbitrary reference point. It is convenient to use the table itself as the reference point:

```
; Example 3.12. switch with relative pointers, 64 bit, YASM syntax
SECTION .data
jumtable: dd case1-jumtable, case2-jumtable, case3-jumtable

SECTION .text
default rel                                ; use relative addresses

funcb: ; This function implements a switch statement
mov    eax, [rsp+8]                        ; function parameter
cmp    eax, 3
jnb    case_default                       ; index out of range
lea    rdx, [jumtable]                    ; address of table
movsxd rax, dword [rdx+rax*4]             ; read table entry
; The jump addresses are relative to jumtable, get absolute address:
add    rax, rdx
jmp    rax                                ; jump to desired case

case1: ...
ret
case2: ...
ret
case3: ...
ret
case_default:
...
ret
```

This method can be useful for reducing the size of long pointer tables because it uses 32-bit relative pointers rather than 64-bit absolute pointers.

The MASM assembler cannot generate the relative tables in example 3.12 unless the jump table is placed in the code segment. It is preferred to place the jump table in the data segment for optimal caching and code prefetching, and this can be done with the YASM or Gnu assembler.

3.4 Instruction code format

The format for instruction codes is described in detail in manuals from Intel and AMD. The basic principles of instruction encoding are explained here because of its relevance to microprocessor performance. In general, you can rely on the assembler for generating the smallest possible encoding of an instruction.

Each instruction can consist of the following elements, in the order mentioned:

1. Prefixes (0-5 bytes)
These are prefixes that modify the meaning of the opcode that follows. There are several different kinds of prefixes as described in table 3.12 below.
2. Opcode (1-3 bytes)
This is the instruction code. The first byte is 0Fh if there are two or three bytes. The second byte is 38h - 3Ah if there are three bytes.
3. mod-reg-r/m byte (0-1 byte)
This byte specifies the operands. It consists of three fields. The mod field is two bits specifying the addressing mode, the reg field is three bits specifying a register for the first operand (most often the destination operand), the r/m field is three bits specifying the second operand (most often the source operand), which can be a register or a memory operand. The reg field can be part of the opcode if there is only one operand.
4. SIB byte (0-1 byte)
This byte is used for memory operands with complex addressing modes, and only if there is a mod-reg-r/m byte. It has two bits for a scale factor, three bits specifying a scaled index register, and three bits specifying a base pointer register. A SIB byte is needed in the following cases:
 - a. If a memory operand has two pointer or index registers,
 - b. If a memory operand has a scaled index register,
 - c. If a memory operand has the stack pointer (`ESP` or `RSP`) as base pointer,
 - d. If a memory operand in 64-bit mode uses a 32-bit sign-extended direct memory address rather than a RIP-relative address.A SIB byte cannot be used in 16-bit addressing mode.
5. Displacement (0, 1, 2, 4 or 8 bytes)
This is part of the address of a memory operand. It is added to the value of the pointer registers (base or index or both), if any.
A 1-byte sign-extended displacement is possible in all addressing modes if a pointer register is specified.
A 2-byte displacement is possible only in 16-bit addressing mode.
A 4-byte displacement is possible in 32-bit addressing mode.
A 4-byte sign-extended displacement is possible in 64-bit addressing mode. If there are any pointer registers specified then the displacement is added to these. If there is no pointer register specified and no SIB byte then the displacement is added to RIP. If there is a SIB byte and no pointer register then the sign-extended value is an absolute direct address.
An 8-byte absolute direct address is possible in 64-bit addressing mode for a few `MOV` instructions that have no mod-reg-r/m byte.
6. Immediate operand (0, 1, 2, 4 or 8 bytes)
This is a data constant which in most cases is a source operand for the operation.
A 1-byte sign-extended immediate operand is possible in all modes for all instructions that can have immediate operands, except `MOV`, `CALL` and `RET`.
A 2-byte immediate operand is possible for instructions with 16-bit operand size.
A 4-byte immediate operand is possible for instructions with 32-bit operand size.
A 4-byte sign-extended immediate operand is possible for instructions with 64-bit operand size.
An 8-byte immediate operand is possible only for moves into a 64-bit register.

3.5 Instruction prefixes

The following table summarizes the use of instruction prefixes.

prefix for:	16 bit mode	32 bit mode	64 bit mode
8 bit operand size	none	none	none
16 bit operand size	none	66h	66h
32 bit operand size	66h	none	none
64 bit operand size	n.a.	n.a.	REX.W (48h)
packed integers in mmx register	none	none	none
packed integers in xmm register	66h	66h	66h
packed single-precision floats in xmm register	none	none	none
packed double-precision floats in xmm register	66h	66h	66h
scalar single-precision floats in xmm register	F3h	F3h	F3h
scalar double-precision floats in xmm register	F2h	F2h	F2h
16 bit address size	none	67h	n.a.
32 bit address size	67h	none	67h
64 bit address size	n.a.	n.a.	none
CS segment	2Eh	2Eh	n.a.
DS segment	3Eh	3Eh	n.a.
ES segment	26h	26h	n.a.
SS segment	36h	36h	n.a.
FS segment	64h	64h	64h
GS segment	65h	65h	65h
REP or REPE string operation	F3h	F3h	F3h
REPNE string operation	F2h	F2h	F2h
Locked memory operand	F0h	F0h	F0h
Register R8 - R15, XMM8 - XMM15 in reg field	n.a.	n.a.	REX.R (44h)
Register R8 - R15, XMM8 - XMM15 in r/m field	n.a.	n.a.	REX.B (41h)
Register R8 - R15 in SIB.base field	n.a.	n.a.	REX.B (41h)
Register R8 - R15 in SIB.index field	n.a.	n.a.	REX.X (42h)
Register SIL, DIL, BPL, SPL	n.a.	n.a.	REX (40h)
Predict branch taken (Intel NetBurst only)	3Eh	3Eh	3Eh
Predict branch not taken (Intel NetBurst only)	2Eh	2Eh	2Eh
Preserve bounds register on jump (MPX)	F2h	F2h	F2h
VEX prefix, 2 bytes	C5h	C5h	C5h
VEX prefix, 3 bytes	C4h	C4h	C4h
XOP prefix, 3 bytes (AMD only)	8Fh	8Fh	8Fh
EVEX prefix, 4 bytes (AVX512)	62h	62h	62h
MVEX prefix, 4 bytes (Intel MIC processors)	n.a.	62h	62h

Table 3.12. Instruction prefixes

Segment prefixes are rarely needed in a flat memory model. The DS segment prefix is only needed if a memory operand has base register BP, EBP or ESP and the DS segment is desired rather than SS.

The lock prefix is only allowed on certain instructions that read, modify and write a memory operand.

The branch prediction prefixes work only on Intel NetBurst (Pentium 4) and are rarely needed.

There can be no more than one REX prefix. If more than one REX prefix is needed then the values are OR'ed into a single byte with a value in the range 40h to 4Fh. These prefixes are

available only in 64-bit mode. The bytes 40h to 4Fh are instruction codes in 16-bit and 32-bit mode. These instructions (`INC r` and `DEC r`) are coded differently in 64-bit mode.

The prefixes can be inserted in any order, except for the REX prefixes and the multi-byte prefixes (VEX, XOP, MVEX) which must come after any other prefixes.

The AVX instruction set uses 2- and 3-byte prefixes called VEX prefixes. The VEX prefixes include bits to replace all 66h, F2h, F3h and REX prefixes as well as the first byte of two-byte opcodes and the first two bytes of three-byte opcodes. VEX prefixes also include bits for specifying YMM registers, an extra register operand, and bits for future extensions. The only prefixes allowed before a VEX prefix are segment prefixes and address size prefixes. No additional prefixes are allowed after a VEX prefix.

Meaningless, redundant or misplaced prefixes are ignored, except for the LOCK and VEX prefixes. But prefixes that have no effect in a particular context may have an effect in future processors.

Unnecessary prefixes may be used instead of `NOP`'s for aligning code, but an excessive number of prefixes can slow down instruction decoding on some processors.

There can be any number of prefixes as long as the total instruction length does not exceed 15 bytes. For example, a `MOV EAX, EBX` with ten `ES` segment prefixes will still work, but it may take longer time to decode.

4 ABI standards

ABI stands for Application Binary Interface. An ABI is a standard for how functions are called, how parameters and return values are transferred, and which registers a function is allowed to change. It is important to obey the appropriate ABI standard when combining assembly with high level language. The details of calling conventions etc. are covered in manual 5: "Calling conventions for different C++ compilers and operating systems". The most important rules are summarized here for your convenience.

4.1 Register usage

	16 bit DOS, Windows	32 bit Windows, Unix	64 bit Windows	64 bit Unix
Registers that can be used freely	AX, BX, CX, DX, ES, ST(0)-ST(7)	EAX, ECX, EDX, ST(0)-ST(7), XMM0-XMM7, YMM0-YMM7	RAX, RCX, RDX, R8-R11, ST(0)-ST(7), XMM0-XMM5, YMM0-YMM5, YMM6H-YMM15H	RAX, RCX, RDX, RSI, RDI, R8-R11, ST(0)-ST(7), XMM0-XMM15, YMM0-YMM15
Registers that must be saved and restored	SI, DI, BP, DS	EBX, ESI, EDI, EBP	RBX, RSI, RDI, RBP, R12-R15, XMM6-XMM15	RBX, RBP, R12-R15
Registers that cannot be changed		DS, ES, FS, GS, SS		
Registers used for parameter transfer		(ECX)	RCX, RDX, R8, R9, XMM0-XMM3, YMM0-YMM3	RDI, RSI, RDX, RCX, R8, R9, XMM0-XMM7, YMM0-YMM7
Registers used for return values	AX, DX, ST(0)	EAX, EDX, ST(0)	RAX, XMM0, YMM0	RAX, RDX, XMM0, XMM1, YMM0, ST(0), ST(1)

Table 4.1. Register usage

The floating point registers `ST(0) - ST(7)` must be empty before any call or return, except when used for function return value. The MMX registers must be cleared by `EMMS` before any call or return. The YMM registers must be cleared by `VZERoupper` before any call or return to non-VEX code.

The arithmetic flags can be changed freely. The direction flag may be set temporarily, but must be cleared before any call or return in 32-bit and 64-bit systems. The interrupt flag cannot be cleared in protected operating systems. The floating point control word and bit 6-15 of the `MXCSR` register must be saved and restored in functions that modify them.

Register `FS` and `GS` are used for thread information blocks etc. and should not be changed. Other segment registers should not be changed, except in segmented 16-bit models.

4.2 Data storage

Variables and objects that are declared inside a function in C or C++ are stored on the stack and addressed relative to the stack pointer or a stack frame. This is the most efficient way of storing data, for two reasons. Firstly, the stack space used for local storage is released when the function returns and may be reused by the next function that is called. Using the same memory area repeatedly improves data caching. The second reason is that data stored on the stack can often be addressed with an 8-bit offset relative to a pointer rather than the 32 bits required for addressing data in the data segment. This makes the code more compact so that it takes less space in the code cache or trace cache.

Global and static data in C++ are stored in the data segment and addressed with 32-bit absolute addresses in 32-bit systems and with 32-bit `RIP`-relative addresses in 64-bit systems. A third way of storing data in C++ is to allocate space with `new` or `malloc`. This method should be avoided if speed is critical.

4.3 Function calling conventions

Calling convention in 16 bit mode DOS and Windows 3.x

Function parameters are passed on the stack with the first parameter at the lowest address. This corresponds to pushing the last parameter first. The stack is cleaned up by the caller.

Parameters of 8 or 16 bits size use one word of stack space. Parameters bigger than 16 bits are stored in little-endian form, i.e. with the least significant word at the lowest address. All stack parameters are aligned by 2.

Function return values are passed in registers in most cases. 8-bit integers are returned in [AL](#), 16-bit integers and near pointers in [AX](#), 32-bit integers and far pointers in [DX:AX](#), Booleans in [AX](#), and floating point values in [ST\(0\)](#).

Calling convention in 32 bit Windows, Linux, BSD, Mac OS X

Function parameters are passed on the stack according to the following calling conventions:

Calling convention	Parameter order on stack	Parameters removed by
<code>__cdecl</code>	First par. at low address	Caller
<code>__stdcall</code>	First par. at low address	Subroutine
<code>__fastcall</code> Microsoft and Gnu	First 2 parameters in <code>ecx</code> , <code>edx</code> . Rest as <code>__stdcall</code>	Subroutine
<code>__fastcall</code> Borland	First 3 parameters in <code>eax</code> , <code>edx</code> , <code>ecx</code> . Rest as <code>__stdcall</code>	Subroutine
<code>_pascal</code>	First par. at high address	Subroutine
<code>__thiscall</code> Microsoft	<code>this</code> in <code>ecx</code> . Rest as <code>__stdcall</code>	Subroutine

Table 4.2. Calling conventions in 32 bit mode

The `__cdecl` calling convention is the default in Linux. In Windows, the `__cdecl` convention is also the default except for member functions, system functions and DLL's. Statically linked modules in `.obj` and `.lib` files should preferably use `__cdecl`, while dynamic link libraries in `.dll` files should use `__stdcall`. The Microsoft, Intel, Digital Mars and Codeplay compilers use `__thiscall` by default for member functions under Windows, the Borland compiler uses `__cdecl` with `'this'` as the first parameter.

The fastest calling convention for functions with integer parameters is `__fastcall`, but this calling convention is not standardized.

Remember that the stack pointer is decreased when a value is pushed on the stack. This means that the parameter pushed first will be at the highest address, in accordance with the `_pascal` convention. You must push parameters in reverse order to satisfy the `__cdecl` and `__stdcall` conventions.

Parameters of 32 bits size or less use 4 bytes of stack space. Parameters bigger than 32 bits are stored in little-endian form, i.e. with the least significant `DWORD` at the lowest address, and aligned by 4.

Mac OS X and the Gnu compiler version 3 and later align the stack by 16 before every call instruction, though this behavior is not consistent. Sometimes the stack is aligned by 4. This discrepancy is an unresolved issue at the time of writing. See manual 5: "Calling conventions for different C++ compilers and operating systems" for details.

Function return values are passed in registers in most cases. 8-bit integers are returned in [AL](#), 16-bit integers in [AX](#), 32-bit integers, pointers, references and Booleans in [EAX](#), 64-bit integers in [EDX:EAX](#), and floating point values in [ST\(0\)](#).

See manual 5: "Calling conventions for different C++ compilers and operating systems" for details about parameters of composite types (`struct`, `class`, `union`) and vector types (`__m64`, `__m128`, `__m256`).

Calling conventions in 64 bit Windows

The first parameter is transferred in `RCX` if it is an integer or in `XMM0` if it is a `float` or `double`. The second parameter is transferred in `RDX` or `XMM1`. The third parameter is transferred in `R8` or `XMM2`. The fourth parameter is transferred in `R9` or `XMM3`. Note that `RCX` is not used for parameter transfer if `XMM0` is used, and vice versa. No more than four parameters can be transferred in registers, regardless of type. Any further parameters are transferred on the stack with the first parameter at the lowest address and aligned by 8. Member functions have `'this'` as the first parameter.

The caller must allocate 32 bytes of free space on the stack in addition to any parameters transferred on the stack. This is a shadow space where the called function can save the four parameter registers if it needs to. The shadow space is the place where the first four parameters would have been stored if they were transferred on the stack according to the `__cdecl` rule. The shadow space belongs to the called function which is allowed to store the parameters (or anything else) in the shadow space. The caller must reserve the 32 bytes of shadow space even for functions that have no parameters. The caller must clean up the stack, including the shadow space. Return values are in `RAX` or `XMM0`.

The stack pointer must be aligned by 16 before any `CALL` instruction, so that the value of `RSP` is 8 modulo 16 at the entry of a function. The function can rely on this alignment when storing XMM registers to the stack.

See manual 5: "Calling conventions for different C++ compilers and operating systems" for details about parameters of composite types (`struct`, `class`, `union`) and vector types (`__m64`, `__m128`, `__m256`).

Calling conventions in 64 bit Linux, BSD and Mac OS X

The first six integer parameters are transferred in `RDI`, `RSI`, `RDX`, `RCX`, `R8`, `R9`, respectively. The first eight floating point parameters are transferred in `XMM0` - `XMM7`. All these registers can be used, so that a maximum of fourteen parameters can be transferred in registers. Any further parameters are transferred on the stack with the first parameters at the lowest address and aligned by 8. The stack is cleaned up by the caller if there are any parameters on the stack. There is no shadow space. Member functions have `'this'` as the first parameter. Return values are in `RAX` or `XMM0`.

The stack pointer must be aligned by 16 before any `CALL` instruction, so that the value of `RSP` is 8 modulo 16 at the entry of a function. The function can rely on this alignment when storing XMM registers to the stack.

The address range from `[RSP-1]` to `[RSP-128]` is called the red zone. A function can safely store data above the stack in the red zone as long as this is not overwritten by any `PUSH` or `CALL` instructions.

See manual 5: "Calling conventions for different C++ compilers and operating systems" for details about parameters of composite types (`struct`, `class`, `union`) and vector types (`__m64`, `__m128`, `__m256`).

4.4 Name mangling and name decoration

The support for function overloading in C++ makes it necessary to supply information about the parameters of a function to the linker. This is done by appending codes for the

parameter types to the function name. This is called name mangling. The name mangling codes have traditionally been compiler specific. Fortunately, there is a growing tendency towards standardization in this area in order to improve compatibility between different compilers. The name mangling codes for different compilers are described in detail in manual 5: "Calling conventions for different C++ compilers and operating systems".

The problem of incompatible name mangling codes is most easily solved by using `extern "C"` declarations. Functions with `extern "C"` declaration have no name mangling. The only decoration is an underscore prefix in 16- and 32-bit Windows and 32- and 64-bit Mac OS. There is some additional decoration of the name for functions with `__stdcall` and `__fastcall` declarations.

The `extern "C"` declaration cannot be used for member functions, overloaded functions, operators, and other constructs that are not supported in the C language. You can avoid name mangling in these cases by defining a mangled function that calls an unmangled function. If the mangled function is defined as inline then the compiler will simply replace the call to the mangled function by the call to the unmangled function. For example, to define an overloaded C++ operator in assembly without name mangling:

```
class C1;
// unmangled assembly function;
extern "C" C1 cplus (C1 const & a, C1 const & b);
// mangled C++ operator
inline C1 operator + (C1 const & a, C1 const & b) {
    // operator + replaced inline by function cplus
    return cplus(a, b);
}
```

Overloaded functions can be inlined in the same way. Class member functions can be translated to friend functions as illustrated in example 7.1b page 49.

4.5 Function examples

The following examples show how to code a function in assembly that obeys the calling conventions. First the code in C++:

```
// Example 4.1a
extern "C" double sinxpnx (double x, int n) {
    return sin(x) + n * x;
}
```

The same function can be coded in assembly. The following examples show the same function coded for different platforms.

```
; Example 4.1b. 16-bit DOS and Windows 3.x
ALIGN      4
_sinxpnx PROC NEAR
; parameter x = [SP+2]
; parameter n = [SP+10]
; return value = ST(0)

    push    bp                ; bp must be saved
    mov     bp, sp            ; stack frame
    fld     qword ptr [bp+4]  ; x
    fmul   st(1), st(0)       ; n*x
    fsin   st(1)              ; sin(x)
    fadd   st(1), st(0)       ; sin(x) + n*x
    pop     bp                ; restore bp
    ret                                ; return value is in st(0)
```



```
_sinxpnx ENDP
```

In 16-bit mode we need `BP` as a stack frame because `SP` cannot be used as base pointer. The integer `n` is only 16 bits. I have used the hardware instruction `FSIN` for the `sin` function.

```
; Example 4.1c. 32-bit Windows
EXTRN    _sin:near
ALIGN    4
_sinxpnx PROC near
; parameter x = [ESP+4]
; parameter n = [ESP+12]
; return value = ST(0)

    fld    qword ptr [esp+4] ; x
    sub    esp, 8            ; make space for parameter x
    fstp   qword ptr [esp]  ; store parameter for sin; clear st(0)
    call   _sin             ; library function for sin()
    add    esp, 8           ; clean up stack after call
    fild   dword ptr [esp+12] ; n
    fmul   qword ptr [esp+4] ; n*x
    fadd   ; sin(x) + n*x
    ret    ; return value is in st(0)
_sinxpnx ENDP
```

Here, I have chosen to use the library function `_sin` instead of `FSIN`. This may be faster in some cases because `FSIN` gives higher precision than needed. The parameter for `_sin` is transferred as 8 bytes on the stack.

```
; Example 4.1d. 32-bit Linux
EXTRN    sin:near
ALIGN    4
sinxpnx  PROC near
; parameter x = [ESP+4]
; parameter n = [ESP+12]
; return value = ST(0)

    fld    qword ptr [esp+4] ; x
    sub    esp, 12           ; Keep stack aligned by 16 before call
    fstp   qword ptr [esp]  ; Store parameter for sin; clear st(0)
    call   sin              ; Library proc. may be faster than fsin
    add    esp, 12         ; Clean up stack after call
    fild   dword ptr [esp+12] ; n
    fmul   qword ptr [esp+4] ; n*x
    fadd   ; sin(x) + n*x
    ret    ; Return value is in st(0)
sinxpnx  ENDP
```

In 32-bit Linux there is no underscore on function names. The stack must be kept aligned by 16 in Linux (GCC version 3 or later). The call to `sinxpnx` subtracts 4 from `ESP`. We are subtracting 12 more from `ESP` so that the total amount subtracted is 16. We may subtract more, as long as the total amount is a multiple of 16. In example 4.1c we subtracted only 8 from `ESP` because the stack is only aligned by 4 in 32-bit Windows.

```
; Example 4.1e. 64-bit Windows
EXTRN    sin:near
ALIGN    4
sinxpnx  PROC
; parameter x = xmm0
; parameter n = edx
; return value = xmm0

    push   rbx                ; rbx must be saved
```



```

    movaps    [rsp+16],xmm6    ; save xmm6 in my shadow space
    sub      rsp, 32          ; shadow space for call to sin
    mov      ebx, edx         ; save n
    movsd    xmm6, xmm0      ; save x
    call     sin              ; xmm0 = sin(xmm0)
    cvtsi2sd xmm1, ebx        ; convert n to double
    mulsd    xmm1, xmm6      ; n * x
    addsd    xmm0, xmm1      ; sin(x) + n * x
    add      rsp, 32         ; restore stack pointer
    movaps   xmm6, [rsp+16]  ; restore xmm6
    pop      rbx             ; restore rbx
    ret                               ; return value is in xmm0
sinxpnx    ENDP

```

Function parameters are transferred in registers in 64-bit Windows. `ECX` is not used for parameter transfer because the first parameter is not an integer. We are using `RBX` and `XMM6` for storing `n` and `x` across the call to `sin`. We have to use registers with callee-save status for this, and we have to save these registers on the stack before using them. The stack must be aligned by 16 before the call to `sin`. The call to `sinxpnx` subtracts 8 from `RSP`; the `PUSH RBX` instruction subtracts 8; and the `SUB` instruction subtracts 32. The total amount subtracted is $8+8+32 = 48$, which is a multiple of 16. The extra 32 bytes on the stack is shadow space for the call to `sin`. Note that example 4.1e does not include support for exception handling. It is necessary to add tables with stack unwind information if the program relies on catching exceptions generated in the function `sin`.

```

; Example 4.1f. 64-bit Linux
EXTRN    sin:near
ALIGN    4
sinxpnx  PROC
PUBLIC   sinxpnx
; parameter x = xmm0
; parameter n = edi
; return value = xmm0

    push    rbx                ; rbx must be saved
    sub     rsp, 16            ; make local space and align stack by 16
    movaps  [rsp], xmm0       ; save x
    mov     ebx, edi           ; save n
    call    sin                ; xmm0 = sin(xmm0)
    cvtsi2sd xmm1, ebx        ; convert n to double
    mulsd   xmm1, [rsp]       ; n * x
    addsd   xmm0, xmm1        ; sin(x) + n * x
    add     rsp, 16           ; restore stack pointer
    pop     rbx                ; restore rbx
    ret                               ; return value is in xmm0
sinxpnx  ENDP

```

64-bit Linux does not use the same registers for parameter transfer as 64-bit Windows does. There are no XMM registers with callee-save status, so we have to save `x` on the stack across the call to `sin`, even though saving it in a register might be faster (Saving `x` in a 64-bit integer register is possible, but slow). `n` can still be saved in a general purpose register with callee-save status. The stack is aligned by 16. There is no need for shadow space on the stack. The red zone cannot be used because it would be overwritten by the call to `sin`. Note that example 4.1f does not include support for exception handling. It is necessary to add tables with stack unwind information if the program relies on catching exceptions generated in the function `sin`.

5 Using intrinsic functions in C++

As already mentioned, there are three different ways of making assembly code: using intrinsic functions and vector classes in C++, using inline assembly in C++, and making separate assembly modules. Intrinsic functions are described in this chapter. The other two methods are described in the following chapters.

Intrinsic functions and vector classes are highly recommended because they are much easier and safer to use than assembly language syntax.

The Microsoft, Intel and Gnu C++ compilers have support for intrinsic functions. Most of the intrinsic functions generate one machine instruction each. An intrinsic function is therefore equivalent to an assembly instruction.

Coding with intrinsic functions is a kind of high-level assembly. It can easily be combined with C++ language constructs such as `if`-statements, loops, functions, classes and operator overloading. Using intrinsic functions is an easier way of doing high level assembly coding than using `.if` constructs etc. in an assembler or using the so-called high level assembler (HLA).

The invention of intrinsic functions has made it much easier to do programming tasks that previously required coding with assembly syntax. The advantages of using intrinsic functions are:

- No need to learn assembly language syntax.
- Seamless integration into C++ code.
- Branches, loops, functions, classes, etc. are easily made with C++ syntax.
- The compiler takes care of calling conventions, register usage conventions, etc.
- The code is portable to almost all x86 platforms: 32-bit and 64-bit Windows, Linux, Mac OS, etc. Some intrinsic functions can even be used on Itanium and other non-x86 platforms.
- The code is compatible with Microsoft, Gnu and Intel compilers.
- The compiler takes care of register variables, register allocation and register spilling. The programmer doesn't have to care about which register is used for which variable.
- Different instances of the same inlined function or operator can use different registers for its parameters. This eliminates the need for register-to-register moves. The same function coded with assembly syntax would typically use a specific register for each parameter; and a move instruction would be required if the value happens to be in a different register.
- It is possible to define overloaded operators for the intrinsic functions. For example, the instruction that adds two 4-element vectors of floats is coded as `ADDPS` in assembly language, and as `_mm_add_ps` when intrinsic functions are used. But an overloaded operator can be defined for the latter so that it is simply coded as a `+` when using the so-called vector classes. This makes the code look like plain old C++.
- The compiler can optimize the code further, for example by common subexpression elimination, loop-invariant code motion, scheduling and reordering, etc. This would

have to be done manually if assembly syntax was used. The Gnu and Intel compilers provide the best optimization.

The disadvantages of using intrinsic functions are:

- Not all assembly instructions have intrinsic function equivalents.
- The function names are sometimes long and difficult to remember.
- An expression with many intrinsic functions looks kludgy and is difficult to read.
- Requires a good understanding of the underlying mechanisms.
- The compilers may not be able to optimize code containing intrinsic functions as much as it optimizes other code, especially when constant propagation is needed.
- Unskilled use of intrinsic functions can make the code less efficient than simple C++ code.
- The compiler can modify the code or implement it in a less efficient way than the programmer intended. It may be necessary to look at the code generated by the compiler to see if it is optimized in the way the programmer intended.
- Mixture of `__m128` and `__m256` types can cause severe delays if the programmer doesn't follow certain rules. Call `__mm256_zeroupper()` before any transition from modules compiled with AVX enabled to modules or library functions compiled without AVX.

5.1 Using intrinsic functions for system code

Intrinsic functions are useful for making system code and access system registers that are not accessible with standard C++. Some of these functions are listed below.

Functions for accessing system registers:

```
__rdtsc, __readpmc, __readmsr, __readcr0, __readcr2, __readcr3, __readcr4,  
__readcr8, __writecr0, __writecr3, __writecr4, __writecr8, __writemsr,  
__mm_getcsr, __mm_setcsr, __getcallerseflags.
```

Functions for input and output:

```
__inbyte, __inword, __indword, __outbyte, __outword, __outdword.
```

Functions for atomic memory read/write operations:

```
__InterlockedExchange, etc.
```

Functions for accessing FS and GS segments:

```
__readfsbyte, __writefsbyte, etc.
```

Cache control instructions (Require SSE or SSE2 instruction set):

```
__mm_prefetch, __mm_stream_si32, __mm_stream_pi, __mm_stream_si128, __ReadBarrier,  
__WriteBarrier, __ReadWriteBarrier, __mm_sfence.
```

Other system functions:

```
__cpuid, __debugbreak, __disable, __enable.
```

5.2 Using intrinsic functions for instructions not available in standard C++

Some simple instructions that are not available in standard C++ can be coded with intrinsic functions, for example functions for bit-rotate, bit-scan, etc.:

`_rotl8, _rotr8, _rotl16, _rotr16, _rotl, _rotr, _rotl64, _rotr64, _BitScanForward, _BitScanReverse.`

5.3 Using intrinsic functions for vector operations

Vector instructions are very useful for improving the speed of code with inherent parallelism. There are intrinsic functions for almost all vector operations using the MMX and XMM registers.

The use of these intrinsic functions for vector operations is thoroughly described in manual 1: "Optimizing software in C++".

5.4 Availability of intrinsic functions

The intrinsic functions are available on newer versions of Microsoft, Gnu and Intel compilers. Most intrinsic functions have the same names in all three compilers. You have to include a header file named `intrin.h` or `emmintrin.h` to get access to the intrinsic functions. The Codeplay compiler has limited support for intrinsic vector functions, but the function names are not compatible with the other compilers.

The intrinsic functions are listed in the help documentation for each compiler, in the appropriate header files, in msdn.microsoft.com, in "Intel 64 and IA-32 Architectures Software Developer's Manual", volume 2A and 2B (developer.intel.com) and in "Intel Intrinsic Guide" (softwareprojects.intel.com/avx/).

6 Using inline assembly

Inline assembly is another way of putting assembly code into a C++ file. The keyword `asm` or `_asm` or `__asm` or `__asm__` tells the compiler that the code is assembly. Different compilers have different syntaxes for inline assembly. The different syntaxes are explained below.

The advantages of using inline assembly are:

- It is easy to combine with C++.
- Variables and other symbols defined in C++ code can be accessed from the assembly code.
- Only the part of the code that cannot be coded in C++ is coded in assembly.
- All assembly instructions are available.
- The code generated is exactly what you write.
- It is possible to optimize in details.
- The compiler takes care of calling conventions, name mangling and saving registers.
- The compiler can inline a function containing inline assembly.

- Portable to different x86 platforms when using the Intel compiler.

The disadvantages of using inline assembly are:

- Different compilers use different syntax.
- Requires knowledge of assembly language.
- Requires a good understanding of how the compiler works. It is easy to make errors.
- The allocation of registers is mostly done manually. The compiler may allocate different registers for the same variables.
- The compiler cannot optimize well across the inline assembly code.
- It may be difficult to control function prolog and epilog code.
- It may not be possible to define data.
- It may not be possible to use macros and other directives.
- It may not be possible to make functions with multiple entries.
- You may inadvertently mix VEX and non-VEX instructions, whereby large penalties are incurred (see chapter 13.6).
- The Microsoft compiler does not support inline assembly on 64-bit platforms.
- The Borland compiler is poor on inline assembly.

The following sections illustrate how to make inline assembly with different compilers.

6.1 MASM style inline assembly

The most common syntax for inline assembly is a MASM-style syntax. This is the easiest way of making inline assembly and it is supported by most compilers, but not the Gnu compiler. Unfortunately, the syntax for inline assembly is poorly documented or not documented at all in the compiler manuals. I will therefore briefly describe the syntax here.

The following examples show a function that raises a floating point number x to an integer power n . The algorithm is to multiply x^1, x^2, x^4, x^8 , etc. according to each bit in the binary representation of n . Actually, it is not necessary to code this in assembly because a good compiler will optimize it almost as much when you just write `pow(x, n)`. My purpose here is just to illustrate the syntax of inline assembly.

First the code in C++ to illustrate the algorithm:

```
// Example 6.1a. Raise double x to the power of int n.
double ipow (double x, int n) {
    unsigned int nn = abs(n);           // absolute value of n
    double y = 1.0;                    // used for multiplication
    while (nn != 0) {                  // loop for each bit in nn
        if (nn & 1) y *= x;            // multiply if bit = 1
        x *= x;                        // square x
        nn >>= 1;                      // get next bit of nn
    }
    if (n < 0) y = 1.0 / y;            // reciprocal if n is negative
}
```

```

    return y;                // return y = pow(x,n)
}

```

And then the optimized code using inline assembly with MASM style syntax:

```

// Example 6.1b. MASM style inline assembly, 32 bit mode
double ipow (double x, int n) {
    __asm {
        mov eax, n           // Move n to eax
// abs(n) is calculated by inverting all bits and adding 1 if n < 0:
        cdq                 // Get sign bit into all bits of edx
        xor eax, edx        // Invert bits if negative
        sub eax, edx        // Add 1 if negative. Now eax = abs(n)
        fld1                 // st(0) = 1.0
        jz L9               // End if n = 0
        fld qword ptr x     // st(0) = x, st(1) = 1.0
        jmp L2              // Jump into loop

L1:                                // Top of loop
        fmul st(0), st(0)    // Square x
L2:                                // Loop entered here
        shr eax, 1          // Get each bit of n into carry flag
        jnc L1              // No carry. Skip multiplication, goto next
        fmul st(1), st(0)   // Multiply by x squared i times for bit # i
        jnz L1              // End of loop. Stop when nn = 0

        fstp st(0)          // Discard st(0)
        test edx, edx       // Test if n was negative
        jns L9              // Finish if n was not negative
        fld1                 // st(0) = 1.0, st(1) = x^abs(n)
        fdivr                // Reciprocal
L9:                                // Finish
    }                        // Result is in st(0)
#pragma warning(disable:1011) // Don't warn for missing return value
}

```

Note that the function entry and parameters are declared with C++ syntax. The function body, or part of it, can then be coded with inline assembly. The parameters `x` and `n`, which are declared with C++ syntax, can be accessed directly in the assembly code using the same names. The compiler simply replaces `x` and `n` in the assembly code with the appropriate memory operands, probably `[esp+4]` and `[esp+12]`. If the inline assembly code needs to access a variable that happens to be in a register, then the compiler will store it to a memory variable on the stack and then insert the address of this memory variable in the inline assembly code.

The result is returned in `st(0)` according to the 32-bit calling convention. The compiler will normally issue a warning because there is no `return y;` statement in the end of the function. This statement is not needed if you know which register to return the value in. The `#pragma warning(disable:1011)` removes the warning. If you want the code to work with different calling conventions (e.g. 64-bit systems) then it is necessary to store the result in a temporary variable inside the assembly block:

```

// Example 6.1c. MASM style, independent of calling convention
double ipow (double x, int n) {
    double result;          // Define temporary variable for result
    __asm {
        mov eax, n
        cdq
        xor eax, edx
        sub eax, edx
        fld1
        jz L9

```

```

        fld qword ptr x
        jmp L2
L1:fmul st(0), st(0)
L2:shr eax, 1
        jnc L1
        fmul st(1), st(0)
        jnz L1
        fstp st(0)
        test edx, edx
        jns L9
        fld1
        fdivr
L9:fstp qword ptr result // store result to temporary variable
    }
    return result;
}

```

Now the compiler takes care of all aspects of the calling convention and the code works on all x86 platforms.

The compiler inspects the inline assembly code to see which registers are modified. The compiler will automatically save and restore these registers if required by the register usage convention. In some compilers it is not allowed to modify register `ebp` or `ebx` in the inline assembly code because these registers are needed for a stack frame. The compiler will generally issue a warning in this case.

It is possible to remove the automatically generated prolog and epilog code by adding `__declspec(naked)` to the function declaration. In this case it is the responsibility of the programmer to add any necessary prolog and epilog code and to save any modified registers if necessary. The only thing the compiler takes care of in a naked function is name mangling. Automatic variable name substitution may not work with naked functions because it depends on how the function prolog is made. A naked function cannot be inlined.

Accessing register variables

Register variables cannot be accessed directly by their symbolic names in MASM-style inline assembly. Accessing a variable by name in an inline assembly code will force the compiler to store the variable to a temporary memory location.

If you know which register a variable is in then you can simply write the name of the register. This makes the code more efficient but less portable.

For example, if the code in the above example is used in 64-bit Windows, then `x` will be in register `XMM0` and `n` will be in register `EDX`. Taking advantage of this knowledge, we can improve the code:

```

// Example 6.1d. MASM style, 64-bit Windows
double ipow (double x, int n) {
    const double one = 1.0; // define constant 1.0
    __asm { // x is in xmm0
        mov eax, edx // get n into eax
        cdq
        xor eax, edx
        sub eax, edx
        movsd xmm1, one // load 1.0
        jz L9
        jmp L2
L1:mulsd xmm0, xmm0 // square x
L2:shr eax, 1
        jnc L1
        mulsd xmm1, xmm0 // Multiply by x squared i times
        jnz L1
    }
}

```

```

        movsd xmm0, xmm1      // Put result in xmm0
        test edx, edx
        jns L9
        movsd xmm0, one
        divsd xmm0, xmm1     // Reciprocal
L9:    }
#pragma warning(disable:1011) // Don't warn for missing return value
}

```

In 64-bit Linux we will have `n` in register `EDI` so the line `mov eax,edx` should be changed to `mov eax,edi`.

Accessing class members and structure members

Let's take as an example a C++ class containing a list of integers:

```

// Example 6.2a. Accessing class data members
// define C++ class
class MyList {
protected:
    int length;           // Number of items in list
    int buffer[100];     // Store items
public:
    MyList();            // Constructor
    void AttItem(int item); // Add item to list
    int Sum();          // Compute sum of items
};

MyList::MyList() {      // Constructor
    length = 0;}

void MyList::AttItem(int item) { // Add item to list
    if (length < 100) {
        buffer[length++] = item;
    }
}

int MyList::Sum() {     // Member function Sum
    int i, sum = 0;
    for (i = 0; i < length; i++) sum += buffer[i];
    return sum;}

```

Below, I will show how to code the member function `MyList::Sum` in inline assembly. I have not tried to optimize the code, my purpose here is simply to show the syntax.

Class members are accessed by loading 'this' into a pointer register and addressing class data members relative to the pointer with the dot operator (`.`).

```

// Example 6.2b. Accessing class members (32-bit)
int MyList::Sum() {
    __asm {
        mov ecx, this      // 'this' pointer
        xor eax, eax       // sum = 0
        xor edx, edx       // loop index, i = 0
        cmp [ecx].length, 0 // if (this->length != 0)
        je L9
L1:   add eax, [ecx].buffer[edx*4] // sum += buffer[i]
        add edx, 1         // i++
        cmp edx, [ecx].length // while (i < length)
        jb L1
L9:   }
    // Return value is in eax
#pragma warning(disable:1011)
}

```



```
}
```

Here the `'this'` pointer is accessed by its name `'this'`, and all class data members are addressed relative to `'this'`. The offset of the class member relative to `'this'` is obtained by writing the member name preceded by the dot operator. The index into the array named `buffer` must be multiplied by the size of each element in `buffer` [`edx*4`].

Some 32-bit compilers for Windows put `'this'` in `ecx`, so the instruction `mov ecx,this` can be omitted. 64-bit systems require 64-bit pointers, so `ecx` should be replaced by `rcx` and `edx` by `rdx`. 64-bit Windows has `'this'` in `rcx`, while 64-bit Linux has `'this'` in `rdi`.

Structure members are accessed in the same way by loading a pointer to the structure into a register and using the dot operator. There is no syntax check against accessing `private` and `protected` members. There is no way to resolve the ambiguity if more than one structure or class has a member with the same name. The MASM assembler can resolve such ambiguities by using the `assume` directive or by putting the name of the structure before the dot, but this is not possible with inline assembly.

Calling functions

Functions are called by their name in inline assembly. Member functions can only be called from other member functions of the same class. Overloaded functions cannot be called because there is no way to resolve the ambiguity. It is not possible to use mangled function names. It is the responsibility of the programmer to put any function parameters on the stack or in the right registers before calling a function and to clean up the stack after the call. It is also the programmer's responsibility to save any registers you want to preserve across the function call, unless these registers have callee-save status.

Because of these complications, I will recommend that you go out of the assembly block and use C++ syntax when making function calls.

Syntax overview

The syntax for MASM-style inline assembly is not well described in any compiler manual I have seen. I will therefore summarize the most important rules here.

In most cases, the MASM-style inline assembly is interpreted by the compiler without invoking any assembler. You can therefore not assume that the compiler will accept anything that the assembler understands.

The inline assembly code is marked by the keyword `__asm`. Some compilers allow the alias `_asm`. The assembly code must be enclosed in curly brackets `{ }` unless there is only one line. The assembly instructions are separated by newlines. Alternatively, you may separate the assembly instructions by the `__asm` keyword without any semicolons.

Instructions and labels are coded in the same way as in MASM. The size of memory operands can be specified with the `PTR` operator, for example `INC DWORD PTR [ESI]`. The names of instructions and registers are not case sensitive.

Variables, functions, and `goto` labels declared in C++ can be accessed by the same names in the inline assembly code. These names are case sensitive.

Data members of structures, classes and unions are accessed relative to a pointer register using the dot operator.

Comments are initiated with a semicolon (`;`) or a double slash (`//`).

Hard-coded opcodes are made with `_emit` followed by a byte constant, where you would use `DB` in MASM. For example `_emit 0x90` is equivalent to `NOP`.

Directives and macros are not allowed.

The compiler takes care of calling conventions and register saving for the function that contains inline assembly, but not for any function calls from the inline assembly.

Compilers using MASM style inline assembly

MASM-style inline assembly is supported by 16-bit and 32-bit Microsoft C++ compilers, but the 64-bit Microsoft compiler has no inline assembly.

The Intel C++ compiler supports MASM-style inline assembly in both 32-bit and 64-bit Windows as well as 32-bit and 64-bit Linux (and Mac OS ?). This is the preferred compiler for making portable code with inline assembly. The Intel compiler under Linux requires the command line option `-use-msasm` to recognize this syntax for inline assembly. Only the keyword `__asm` works in this case, not the synonyms `asm` or `__asm__`. The Intel compiler converts the MASM syntax to AT&T syntax before sending it to the assembler. The Intel compiler can therefore be useful as a syntax converter.

The MASM-style inline assembly is also supported by Borland, Digital Mars, Watcom and Codeplay compilers. The Borland assembler is not up to date and the Watcom compiler has some limitations on inline assembly.

6.2 Gnu style inline assembly

Inline assembly works quite differently on the Gnu compiler because the Gnu compiler compiles via assembly rather than producing object code directly, as most other compilers do. The assembly code is entered as a string constant which is passed through to the assembler with very little change. The default syntax is the AT&T syntax that the Gnu assembler uses.

The Gnu-style inline assembly has the advantage that you can pass on any instruction or directive to the assembler. Everything is possible. The disadvantage is that the syntax is very elaborate and difficult to learn, as the examples below show.

The Gnu-style inline assembly is supported by the Gnu compiler and the Intel compiler for Linux in both 32-bit and 64-bit mode.

AT&T syntax

Let's return to example 6.1b and translate it to Gnu style inline assembly with AT&T syntax:

```
// Example 6.1e. Gnu-style inline assembly, AT&T syntax
double ipow (double x, int n) {
    double y;
    __asm__ (
        "cld                                \n" // cdq
        "xorl %%edx, %%eax                 \n"
        "subl %%edx, %%eax                 \n"
        "fldl                                \n"
        "jz 9f                              \n" // Forward jump to nearest 9:
        "fldl %[xx]                        \n" // Substituted with x
        "jmp 2f                              \n" // Forward jump to nearest 2:
        "1:                                  \n" // Local label 1:
        "fmul %%st(0), %%st(0)             \n"
        "2:                                  \n" // Local label 2:
```

```

    "shrl $1, %%eax      \n"
    "jnc 1b             \n" // Backward jump to nearest 1:
    "fmul %%st(0), %%st(1) \n"
    "jnz 1b             \n" // Backward jump to nearest 1:
    "fstp %%st(0)      \n"
    "testl %%edx, %%edx \n"
    "jns 9f             \n" // Forward jump to nearest 9:
    "fldl              \n"
    "fdivp %%st(0), %%st(1)\n"
    "9:                 \n" // Assembly string ends here

    // Use extended assembly syntax to specify operands:
    // Output operands:
    : "=t" (y)          // Output top of stack to y

    // Input operands:
    : [xx] "m" (x), "a" (n) // Input operand %[xx] = x, eax = n

    // Clobbered registers:
    : "%edx", "%st(1)"    // Clobber edx and st(1)
);                          // __asm__ statement ends here

return y;
}

```

We immediately notice that the syntax is very different from the previous examples. Many of the instruction codes have suffixes for specifying the operand size. Integer instructions use **b** for **BYTE**, **w** for **WORD**, **l** for **DWORD**, **q** for **QWORD**. Floating point instructions use **s** for **DWORD** (float), **l** for **QWORD** (double), **t** for **TBYTE** (long double). Some instruction codes are completely different, for example **CDQ** is changed to **CLTD**. The order of the operands is the opposite of MASM syntax. The source operand comes before the destination operand. Register names have **%%** prefix, which is changed to **%** before the string is passed on to the assembler. Constants have **\$** prefix. Memory operands are also different. For example, `[ebx+ecx*4+20h]` is changed to `0x20(%%ebx,%%ecx,4)`.

Jump labels can be coded in the same way as in MASM, e.g. `L1:`, `L2:`, but I have chosen to use the syntax for local labels, which is a decimal number followed by a colon. The jump instructions can then use `jmp 1b` for jumping backwards to the nearest preceding `1:` label, and `jmp 1f` for jumping forwards to the nearest following `1:` label. The reason why I have used this kind of labels is that the compiler will produce multiple instances of the inline assembly code if the function is inlined, which is quite likely to happen. If we use normal labels like `L1:` then there will be more than one label with the same name in the final assembly file, which of course will produce an error. If you want to use normal labels then add `__attribute__((noinline))` to the function declaration to prevent inlining of the function.

The Gnu style inline assembly does not allow you to put the names of local C++ variables directly into the assembly code. Only global variable names will work because they have the same names in the assembly code. Instead you can use the so-called extended syntax as illustrated above. The extended syntax looks like this:

```

__asm__ ("assembly code string" : [output list] : [input list] :
[clobbered registers list] );

```

The assembly code string is a string constant containing assembly instructions separated by newline characters (`\n`).

In the above example, the output list is `"=t" (y)`. `t` means the top-of-stack floating point register `st(0)`, and `y` means that this should be stored in the C++ variable named `y` after the assembly code string.

There are two input operands in the input list. `[xx] "m" (x)` means replace `%[xx]` in the assembly string with a memory operand for the C++ variable `x`. `"a" (n)` means load the C++ variable `n` into register `eax` before the assembly string. There are many different constraints symbols for specifying different kinds of operands and registers for input and output. See the GCC manual for details.

The clobbered registers list `"%edx", "%st(1)"` tells that registers `edx` and `st(1)` are modified by the inline assembly code. The compiler would falsely assume that these registers were unchanged if they didn't occur in the clobber list.

Intel syntax

The above example will be a little easier to code if we use Intel syntax for the assembly string. The Gnu assembler now accepts Intel syntax with the directive `.intel_syntax noprefix`. The `noprefix` means that registers don't need a `%`-sign as prefix.

```
// Example 6.1f. Gnu-style inline assembly, Intel syntax
double ipow (double x, int n) {
    double y;
    __asm__ (
        ".intel_syntax noprefix \n" // use Intel syntax for convenience
        "cdq                        \n"
        "xor eax, edx                \n"
        "sub eax, edx                \n"
        "fldl                        \n"
        "jz 9f                       \n"
        ".att_syntax prefix          \n" // AT&T syntax needed for %[xx]
        "fldl %[xx]                  \n" // memory operand substituted with x
        ".intel_syntax noprefix \n" // switch to Intel syntax again
        "jmp 2f                       \n"
        "1:                          \n"
        "fmul st(0), st(0)           \n"
        "2:                          \n"
        "shr eax, 1                  \n"
        "jnc 1b                      \n"
        "fmul st(1), st(0)           \n"
        "jnz 1b                      \n"
        "fstp st(0)                  \n"
        "test edx, edx               \n"
        "jns 9f                      \n"
        "fldl                        \n"
        "fdivrp                       \n"
        "9:                          \n"
        ".att_syntax prefix          \n" // switch back to AT&T syntax

        // output operands:
        : "=t" (y)                   // output in top-of-stack goes to y
        // input operands:
        : [xx] "m" (x), "a" (n)      // input memory %[x] for x, eax for n
        // clobbered registers:
        : "%edx", "%st(1)" );        // edx and st(1) are modified

    return y;
}
```

Here, I have inserted `.intel_syntax noprefix` in the start of the assembly string which allows me to use Intel syntax for the instructions. The string must end with `.att_syntax prefix` to return to the default AT&T syntax, because this syntax is used in the subsequent code generated by the compiler. The instruction that loads the memory operand `x` must use AT&T syntax because the operand substitution mechanism uses AT&T syntax for the

operand substituted for `%[xx]`. The instruction `fldl %[xx]` must therefore be written in AT&T syntax. We can still use AT&T-style local labels. The lists of output operands, input operands and clobbered registers are the same as in example 6.1e.

6.3 Inline assembly in Delphi Pascal

It is possible to make functions in inline assembly in the Delphi Pascal compiler. The syntax resembles Intel/MASM syntax. See the compiler manual for details.

7 Using an assembler

There are certain limitations on what you can do with intrinsic functions and inline assembly. These limitations can be overcome by using an assembler. The principle is to write one or more assembly files containing the most critical functions of a program and writing the less critical parts in C++. The different modules are then linked together into an executable file.

The advantages of using an assembler are:

- There are almost no limitations on what you can do.
- You have complete control of all details of the final executable code.
- All aspects of the code can be optimized, including function prolog and epilog, parameter transfer methods, register usage, data alignment, etc.
- It is possible to make functions with multiple entries.
- It is possible to make code that is compatible with multiple compilers and multiple operating systems (see page 52).
- MASM and some other assemblers have a powerful macro language which opens up possibilities that are absent in most compiled high-level languages (see page 112).

The disadvantages of using an assembler are:

- Assembly language is difficult to learn. There are many instructions to remember.
- Coding in assembly takes more time than coding in a high level language.
- The assembly language syntax is not fully standardized.
- Assembly code tends to become poorly structured and spaghetti-like. It takes a lot of discipline to make assembly code well structured and readable for others.
- Assembly code is not portable between different microprocessor architectures.
- The programmer must know all details of the calling conventions and obey these conventions in the code.
- The assembler provides very little syntax checking. Many programming errors are not detected by the assembler.

- There are many things that you can do wrong in assembly code and the errors can have serious consequences.
- You may inadvertently mix VEX and non-VEX vector instructions. This incurs a large penalty (see chapter 13.6).
- Errors in assembly code can be difficult to trace. For example, the error of not saving a register can cause a completely different part of the program to malfunction.
- Assembly language is not suitable for making a complete program. Most of the program has to be made in a different programming language.

The best way to start if you want to make assembly code is to first make the entire program in C or C++. Optimize the program with the use of the methods described in manual 1: "Optimizing software in C++". If any part of the program needs further optimization then isolate this part in a separate module. Then translate the critical module from C++ to assembly. There is no need to do this translation manually. Most C++ compilers can produce assembly code. Turn on all relevant optimization options in the compiler when translating the C++ code to assembly. The assembly code thus produced by the compiler is a good starting point for further optimization. The compiler-generated assembly code is sure to have the calling conventions right. (The output produced by 64-bit compilers for Windows is not yet fully compatible with any assembler).

Inspect the assembly code produced by the compiler to see if there are any possibilities for further optimization. Sometimes compilers are very smart and produce code that is better optimized than what an average assembly programmer can do. In other cases, compilers are incredibly stupid and do things in very awkward and inefficient ways. It is in the latter case that it is justified to spend time on assembly coding.

Most IDE's (Integrated Development Environments) provide a way of including assembly modules in a C++ project. For example in Microsoft Visual Studio, you can define a "custom build step" for an assembly source file. The specification for the custom build step may, for example, look like this. Command line: `ml /c /Cx /Zi /coff $(InputName).asm`. Outputs: `$(InputName).obj`. Alternatively, you may use a makefile (see page 51) or a batch file.

The C++ files that call the functions in the assembly module should include a header file (*.h) containing function prototypes for the assembly functions. It is recommended to add `extern "C"` to the function prototypes to remove the compiler-specific name mangling codes from the function names.

Examples of assembly functions for different platforms are provided in paragraph 4.5, page 31ff.

7.1 Static link libraries

It is convenient to collect assembled code from multiple assembly files into a function library. The advantages of organizing assembly modules into function libraries are:

- The library can contain many functions and modules. The linker will automatically pick the modules that are needed in a particular project and leave out the rest so that no superfluous code is added to the project.
- A function library is easy and convenient to include in a C++ project. All C++ compilers and IDE's support function libraries.

- A function library is reusable. The extra time spent on coding and testing a function in assembly language is better justified if the code can be reused in different projects.
- Making as a reusable function library forces you to make well tested and well documented code with a well defined functionality and a well defined interface to the calling program.
- A reusable function library with a general functionality is easier to maintain and verify than an application-specific assembly code with a less well-defined responsibility.
- A function library can be used by other programmers who have no knowledge of assembly language.

A static link function library for Windows is built by using the library manager (e.g. `lib.exe`) to combine one or more `*.obj` files into a `*.lib` file.

A static link function library for Linux is built by using the archive manager (`ar`) to combine one or more `*.o` files into an `*.a` file.

A function library must be supplemented by a header file (`*.h`) containing function prototypes for the functions in the library. This header file is included in the C++ files that call the library functions (e.g. `#include "mylibrary.h"`).

It is convenient to use a makefile (see page 51) for managing the commands necessary for building and updating a function library.

7.2 Dynamic link libraries

The difference between static linking and dynamic linking is that the static link library is linked into the executable program file so that the executable file contains a copy of the necessary parts of the library. A dynamic link library (`*.dll` in Windows, `*.so` in Linux) is distributed as a separate file which is loaded at runtime by the executable file.

The advantages of dynamic link libraries are:

- Only one instance of the dynamic link library is loaded into memory when multiple programs running simultaneously use the same library.
- The dynamic link library can be updated without modifying the executable file.
- A dynamic link library can be called from most programming languages, such as Pascal, C#, Visual Basic (Calling from Java is possible but difficult).

The disadvantages of dynamic link libraries are:

- The whole library is loaded into memory even when only a small part of it is needed.
- Loading a dynamic link library takes extra time when the executable program file is loaded.
- Calling a function in a dynamic link library is less efficient than a static library because of extra call overhead and because of less efficient code cache use.
- The dynamic link library must be distributed together with the executable file.

- Multiple programs installed on the same computer must use the same version of a dynamic link library. This can cause many compatibility problems.

A DLL for Windows is made with the Microsoft linker (`link.exe`). The linker must be supplied one or more `.obj` or `.lib` files containing the necessary library functions and a `DllEntry` function, which just returns 1. A module definition file (`*.def`) is also needed. Note that DLL functions in 32-bit Windows use the `__stdcall` calling convention, while static link library functions use the `__cdecl` calling convention by default. An example source code can be found in www.agner.org/random/randoma.zip. Further instructions can be found in the Microsoft compiler documentation and in Iczelion's tutorials at win32asm.cjb.net.

I have no experience in making dynamic link libraries (shared objects) for Linux.

7.3 Libraries in source code form

A problem with subroutine libraries in binary form is that the compiler cannot optimize the function call. This problem can be solved by supplying the library functions as C++ source code.

If the library functions are supplied as C++ source code then the compiler can optimize away the function calling overhead by inlining the function. It can optimize register allocation across the function. It can do constant propagation. It can move invariant code when the function is called inside a loop, etc.

The compiler can only do these optimizations with C++ source code, not with assembly code. The code may contain inline assembly or intrinsic function calls. The compiler can do further optimizations if the code uses intrinsic function calls, but not if it uses inline assembly. Note that different compilers will not optimize the code equally well.

If the compiler uses whole program optimization then the library functions can simply be supplied as a C++ source file. If not, then the library code must be included with `#include` statements in order to enable optimization across the function calls. A function defined in an included file should be declared `static` and/or `inline` in order to avoid clashes between multiple instances of the function.

Some compilers with whole program optimization features can produce half-compiled object files that allow further optimization at the link stage. Unfortunately, the format of such files is not standardized - not even between different versions of the same compiler. It is possible that future compiler technology will allow a standardized format for half-compiled code. This format should, as a minimum, specify which registers are used for parameter transfer and which registers are modified by each function. It should preferably also allow register allocation at link time, constant propagation, common subexpression elimination across functions, and invariant code motion.

As long as such facilities are not available, we may consider using the alternative strategy of putting the entire innermost loop into an optimized library function rather than calling the library function from inside a C++ loop. This solution is used in Intel's Math Kernel Library (www.intel.com). If, for example, you need to calculate a thousand logarithms then you can supply an array of thousand arguments to a vector logarithm function in the library and receive an array of thousand results back from the library. This has the disadvantage that intermediate results have to be stored in arrays rather than transferred in registers.

7.4 Making classes in assembly

Classes are coded as structures in assembly and member functions are coded as functions that receive a pointer to the class/structure as a parameter.

It is not possible to apply the `extern "C"` declaration to a member function in C++ because `extern "C"` refers to the calling conventions of the C language which doesn't have classes and member functions. The most logical solution is to use the mangled function name. Returning to example 6.2a and b page 40, we can write the member function `int MyList::Sum()` with a mangled name as follows:

```
; Example 7.1a (Example 6.2b translated to stand alone assembly)
; Member function, 32-bit Windows, Microsoft compiler

; Define structure corresponding to class MyList:
MyList  STRUC
length_  DD  ?           ; length is a reserved name. Use length_
buffer  DD  100 DUP (?)  ; int buffer[100];
MyList  ENDS

; int MyList::Sum()
; Mangled function name compatible with Microsoft compiler (32 bit):
?Sum@MyList@@QAEHXZ PROC near
; Microsoft compiler puts 'this' in ECX
assume ecx: ptr MyList          ; ecx points to structure MyList
    xor eax, eax                ; sum = 0
    xor edx, edx                ; Loop index i = 0
    cmp [ecx].length_, 0       ; this->length
    je  L9                      ; Skip if length = 0
L1:   add eax, [ecx].buffer[edx*4] ; sum += buffer[i]
    add edx, 1                  ; i++
    cmp edx, [ecx].length_     ; while (i < length)
    jb  L1                      ; Loop
L9:   ret                       ; Return value is in eax
?Sum@MyList@@QAEHXZ ENDP      ; End of int MyList::Sum()
assume ecx: nothing           ; ecx no longer points to anything
```

The mangled function name `?Sum@MyList@@QAEHXZ` is compiler specific. Other compilers may have other name-mangling codes. Furthermore, other compilers may put `'this'` on the stack rather than in a register. These incompatibilities can be solved by using a `friend` function rather than a member function. This solves the problem that a member function cannot be declared `extern "C"`. The declaration in the C++ header file must then be changed to the following:

```
// Example 7.1b. Member function changed to friend function:

// An incomplete class declaration is needed here:
class MyList;

// Function prototype for friend function with 'this' as parameter:
extern "C" int MyList_Sum(MyList * ThisP);

// Class declaration:
class MyList {
protected:
    int length;           // Data members:
    int buffer[100];

public:
    MyList();             // Constructor
    void AttItem(int item); // Add item to list

// Make MyList_Sum a friend:
```

```

    friend int MyList_Sum(MyList * ThisP);

    // Translate Sum to MyList_Sum by inline call:
    int Sum() {return MyList_Sum(this);}
};

```

The prototype for the friend function must come before the class declaration because some compilers do not allow `extern "C"` inside the class declaration. An incomplete class declaration is needed because the friend function needs a pointer to the class.

The above declarations will make the compiler replace any call to `MyList::Sum` by a call to `MyList_Sum` because the latter function is inlined into the former. The assembly implementation of `MyList_Sum` does not need a mangled name:

```

; Example 7.1c. Friend function, 32-bit mode

; Define structure corresponding to class MyList:
MyList    STRUC
length_   DD    ?           ; length is a reserved name. Use length_
buffer    DD    100 DUP (?) ; int buffer[100];
MyList    ENDS

; extern "C" friend int MyList_Sum()
_MyList_Sum PROC near
; Parameter ThisP is on stack
    mov ecx, [esp+4]        ; ThisP
assume ecx: ptr MyList    ; ecx points to structure MyList
    xor eax, eax           ; sum = 0
    xor edx, edx           ; Loop index i = 0
    cmp [ecx].length_, 0   ; this->length
    je L9                  ; Skip if length = 0
L1:    add eax, [ecx].buffer[edx*4] ; sum += buffer[i]
    add edx, 1              ; i++
    cmp edx, [ecx].length_ ; while (i < length)
    jb L1                   ; Loop
L9:    ret                  ; Return value is in eax
_MyList_Sum ENDP          ; End of int MyList_Sum()
assume ecx: nothing       ; ecx no longer points to anything

```

7.5 Thread-safe functions

A thread-safe or reentrant function is a function that works correctly when it is called simultaneously from more than one thread. Multithreading is used for taking advantage of computers with multiple CPU cores. It is therefore reasonable to require that a function library intended for speed-critical applications should be thread-safe.

Functions are thread-safe when no variables are shared between threads, except for intended communication between the threads. Constant data can be shared between threads without problems. Variables that are stored on the stack are thread-safe because each thread has its own stack. The problem arises only with static variables stored in the data segment. Static variables are used when data have to be saved from one function call to the next. It is possible to make thread-local static variables, but this is inefficient and system-specific.

The best way to store data from one function call to the next in a thread-safe way is to let the calling function allocate storage space for these data. The most elegant way to do this is to encapsulate the data and the functions that need them in a class. Each thread must create an object of the class and call the member functions on this object. The previous paragraph shows how to make member functions in assembly.

If the thread-safe assembly function has to be called from C or another language that does not support classes, or does so in an incompatible way, then the solution is to allocate a storage buffer in each thread and supply a pointer to this buffer to the function.

7.6 Makefiles

A make utility is a universal tool to manage software projects. It keeps track of all the source files, object files, library files, executable files, etc. in a software project. It does so by means of a general set of rules based on the date/time stamps of all the files. If a source file is newer than the corresponding object file then the object file has to be re-made. If the object file is newer than the executable file then the executable file has to be re-made.

Any IDE (Integrated Development Environment) contains a make utility which is activated from a graphical user interface, but in most cases it is also possible to use a command-line version of the make utility. The command line make utility (called `make` or `nmake`) is based on a set of rules that you can define in a so-called makefile. The advantage of using a makefile is that it is possible to define rules for any type of files, such as source files in any programming language, object files, library files, module definition files, resource files, executable files, zip files, etc. The only requirement is that a tool exists for converting one type of file to another and that this tool can be called from a command line with the file names as parameters.

The syntax for defining rules in a makefile is almost the same for all the different make utilities that come with different compilers for Windows and Linux.

Many IDE's also provide features for user-defined make rules for file types not known to the IDE, but these utilities are often less general and flexible than a stand-alone make utility.

The following is an example of a makefile for making a function library `mylibrary.lib` from three assembly source files `func1.asm`, `func2.asm`, `func3.asm` and packing it together with the corresponding header file `mylibrary.h` into a zip file `mylibrary.zip`.

```
# Example 7.2. makefile for mylibrary
mylibrary.zip: mylibrary.lib mylibrary.h
    wzip $@ $?

mylibrary.lib: func1.obj func2.obj func3.obj
    lib /out:$@ $**

.asm.obj
    ml /c /Cx /coff /Fo$@ $*.asm
```

The line `mylibrary.zip: mylibrary.lib mylibrary.h` tells that the file `mylibrary.zip` is built from `mylibrary.lib` and `mylibrary.h`, and that it must be re-built if any of these has been modified later than the zip file. The next line, which must be indented, specifies the command needed for building the target file `mylibrary.zip` from its dependents `mylibrary.lib` and `mylibrary.h`. (`wzip` is a command line version of WinZip. Any other command line zip utility may be used). The next two lines tell how to build the library file `mylibrary.lib` from the three object files. The line `.asm.obj` is a generic rule. It tells that any file with extension `.obj` can be built from a file with the same name and extension `.asm` by using the rule in the following indented line.

The build rules can use the following macros for specifying file names:

```
$@ = Current target's full name
$< = Full name of dependent file
$* = Current target's base name without extension
```

- `$$$` = All dependents of the current target, separated by spaces (nmake)
- `$+` = All dependents of the current target, separated by spaces (Gnu make)
- `$?` = All dependents with a later timestamp than the current target

The make utility is activated with the command

```
nmake /Fmakefile or  
make -f makefile.
```

See the manual for the particular make utility for details.

8 Making function libraries compatible with multiple compilers and platforms

There are a number of compatibility problems to take care of if you want to make a function library that is compatible with multiple compilers, multiple programming languages, and multiple operating systems. The most important compatibility problems have to do with:

1. Name mangling
2. Calling conventions
3. Object file formats

The easiest solution to these portability problems is to make the code in a high level language such as C++ and make any necessary low-level constructs with the use of intrinsic functions or inline assembly. The code can then be compiled with different compilers for the different platforms. Note that not all C++ compilers support intrinsic functions or inline assembly and that the syntax may differ.

If assembly language programming is necessary or desired then there are various methods for overcoming the compatibility problems between different x86 platforms. These methods are discussed in the following paragraphs.

8.1 Supporting multiple name mangling schemes

The easiest way to deal with the problems of compiler-specific name mangling schemes is to turn off name mangling with the `extern "C"` directive, as explained on page 30.

The `extern "C"` directive cannot be used for class member functions, overloaded functions and operators. This problem can be used by making an inline function with a mangled name to call an assembly function with an unmangled name:

```
// Example 8.1. Avoid name mangling of overloaded functions in C++  
// Prototypes for unmangled assembly functions:  
extern "C" double power_d (double x, double n);  
extern "C" double power_i (double x, int n);  
  
// Wrap these into overloaded functions:  
inline double power (double x, double n) {return power_d(x, n);  
inline double power (double x, int n)    {return power_i(x, n);
```

The compiler will simply replace a call to the mangled function with a call to the appropriate unmangled assembly function without any extra code. The same method can be used for class member functions, as explained on page 49.

However, in some cases it is desired to preserve the name mangling. Either because it makes the C++ code simpler, or because the mangled names contain information about calling conventions and other compatibility issues.

An assembly function can be made compatible with multiple name mangling schemes simply by giving it multiple public names. Returning to example 4.1c page 32, we can add mangled names for multiple compilers in the following way:

```

; Example 8.2. (Example 4.1c rewritten)
; Function with multiple mangled names (32-bit mode)

; double sinxpnx (double x, int n) {return sin(x) + n*x;}

ALIGN      4
_sinxpnx  PROC NEAR                ; extern "C" name

; Make public names for each name mangling scheme:
?sinxpnx@@YANNH@Z LABEL NEAR      ; Microsoft compiler
@sinxpnx$qdi LABEL NEAR          ; Borland compiler
__Z7sinxpnxdi LABEL NEAR         ; Gnu compiler for Linux
__Z7sinxpnxdi LABEL NEAR         ; Gnu compiler for Windows and Mac OS
PUBLIC ?sinxpnx@@YANNH@Z, @sinxpnx$qdi, __Z7sinxpnxdi, __Z7sinxpnxdi

; parameter x = [ESP+4]
; parameter n = [ESP+12]
; return value = ST(0)

        fild  dword ptr [esp+12] ; n
        fld   qword ptr [esp+4]  ; x
        fmul  st(1), st(0)        ; n*x
        fsin                          ; sin(x)
        fadd                          ; sin(x) + n*x
        ret                               ; return value is in st(0)
_sinxpnx ENDP

```

Example 8.2 works with most compilers in both 32-bit Windows and 32-bit Linux because the calling conventions are the same. A function can have multiple public names and the linker will simply search for a name that matches the call from the C++ file. But a function call cannot have more than one external name.

The syntax for name mangling for different compilers is described in manual 5: "Calling conventions for different C++ compilers and operating systems". Applying this syntax manually is a difficult job. It is much easier and safer to generate each mangled name by compiling the function in C++ with the appropriate compiler. Command line versions of most compilers are available for free or as trial versions.

The Intel, Digital Mars and Codeplay compilers for Windows are compatible with the Microsoft name mangling scheme. The Intel compiler for Linux is compatible with the Gnu name mangling scheme. Gnu compilers version 2.x and earlier have a different name mangling scheme which I have not included in example 8.2. Mangled names for the Watcom compiler contain special characters which are only allowed by the Watcom assembler.

8.2 Supporting multiple calling conventions in 32 bit mode

Member functions in 32-bit Windows do not always have the same calling convention. The Microsoft-compatible compilers use the `__thiscall` convention with 'this' in register `ecx`, while Borland and Gnu compilers use the `__cdecl` convention with 'this' on the stack. One solution is to use friend functions as explained on page 49. Another possibility is to make a

function with multiple entries. The following example is a rewrite of example 7.1a page 49 with two entries for the two different calling conventions:

```

; Example 8.3a (Example 7.1a with two entries)
; Member function, 32-bit mode
; int MyList::Sum()

; Define structure corresponding to class MyList:
MyList    STRUC
length_   DD    ?
buffer    DD    100 DUP (?)
MyList    ENDS

_MyList_Sum    PROC NEAR    ; for extern "C" friend function

; Make mangled names for compilers with __cdecl convention:
@MyList@Sum$qv    LABEL NEAR    ; Borland compiler
_ZN6MyList3SumEv LABEL NEAR    ; Gnu comp. for Linux
__ZN6MyList3SumEv LABEL NEAR    ; Gnu comp. for Windows and Mac OS
PUBLIC @MyList@Sum$qv, _ZN6MyList3SumEv, __ZN6MyList3SumEv

; Move 'this' from the stack to register ecx:
mov ecx, [esp+4]

; Make mangled names for compilers with __thiscall convention:
?Sum@MyList@@QAEHXZ LABEL NEAR    ; Microsoft compiler
PUBLIC ?Sum@MyList@@QAEHXZ
assume ecx: ptr MyList            ; ecx points to structure MyList
xor eax, eax                      ; sum = 0
xor edx, edx                      ; Loop index i = 0
cmp [ecx].length_, 0             ; this->length
je L9                             ; Skip if length = 0
L1: add eax, [ecx].buffer[edx*4] ; sum += buffer[i]
add edx, 1                       ; i++
cmp edx, [ecx].length_          ; while (i < length)
jb L1                             ; Loop
L9: ret                          ; Return value is in eax
_MyList_Sum ENDP                 ; End of int MyList::Sum()
assume ecx: nothing              ; ecx no longer points to anything

```

The difference in name mangling schemes is actually an advantage here because it enables the linker to lead the call to the entry that corresponds to the right calling convention.

The method becomes more complicated if the member function has more parameters. Consider the function `void MyList::AttItem(int item)` on page 40. The `__thiscall` convention has the parameter 'this' in `ecx` and the parameter `item` on the stack at `[esp+4]` and requires that the stack is cleaned up by the function. The `__cdecl` convention has both parameters on the stack with 'this' at `[esp+4]` and `item` at `[esp+8]` and the stack cleaned up by the caller. A solution with two function entries requires a jump:

```

; Example 8.3b
; void MyList::AttItem(int item);

_MyList_AttItem    PROC NEAR    ; for extern "C" friend function

; Make mangled names for compilers with __cdecl convention:
@MyList@AttItem$qi    LABEL NEAR    ; Borland compiler
_ZN6MyList7AttItemEi LABEL NEAR    ; Gnu comp. for Linux
__ZN6MyList7AttItemEi LABEL NEAR    ; Gnu comp. for Windows and Mac OS
PUBLIC @MyList@AttItem$qi, _ZN6MyList7AttItemEi, __ZN6MyList7AttItemEi

; Move parameters into registers:
mov ecx, [esp+4]            ; ecx = this

```

```

        mov  edx, [esp+8]          ; edx = item
        jmp  L0                   ; jump into common section

; Make mangled names for compilers with __thiscall convention:
?AttItem@MyList@@QAEXH@Z LABEL NEAR; Microsoft compiler
PUBLIC ?AttItem@MyList@@QAEXH@Z
        pop  eax                 ; Remove return address from stack
        pop  edx                 ; Get parameter 'item' from stack
        push eax                 ; Put return address back on stack

L0:    ; common section where parameters are in registers
        ; ecx = this, edx = item

        assume ecx: ptr MyList   ; ecx points to structure MyList
        mov  eax, [ecx].length_  ; eax = this->length
        cmp  eax, 100            ; Check if too high
        jnb  L9                 ; List is full. Exit
        mov  [ecx].buffer[eax*4],edx ; buffer[length] = item
        add  eax, 1              ; length++
        mov  [ecx].length_, eax
L9:    ret
_MyList_AttItem ENDP           ; End of MyList::AttItem
        assume ecx: nothing     ; ecx no longer points to anything

```

In example 8.3b, the two function entries each load all parameters into registers and then jumps to a common section that doesn't need to read parameters from the stack. The `__thiscall` entry must remove parameters from the stack before the common section.

Another compatibility problem occurs when we want to have a static and a dynamic link version of the same function library in 32-bit Windows. The static link library uses the `__cdecl` convention by default, while the dynamic link library uses the `__stdcall` convention by default. The static link library is the most efficient solution for C++ programs, but the dynamic link library is needed for several other programming languages.

One solution to this problem is to specify the `__cdecl` or the `__stdcall` convention for both libraries. Another solution is to make functions with two entries.

The following example shows the function from example 8.2 with two entries for the `__cdecl` and `__stdcall` calling conventions. Both conventions have the parameters on the stack. The difference is that the stack is cleaned up by the caller in the `__cdecl` convention and by the called function in the `__stdcall` convention.

```

; Example 8.4a (Example 8.2 with __stdcall and __cdecl entries)
; Function with entries for __stdcall and __cdecl (32-bit Windows):

ALIGN    4
; __stdcall entry:
; extern "C" double __stdcall sinxpnx (double x, int n);
_sinxpnx@12 PROC NEAR
    ; Get all parameters into registers
    fld  qword ptr [esp+4] ; x
    fild dword ptr [esp+12] ; n
    ; Remove parameters from stack:
    pop  eax               ; Pop return address
    add  esp, 12           ; remove 12 bytes of parameters
    push eax              ; Put return address back on stack
    jmp  L0

; __cdecl entry:
; extern "C" double __cdecl sinxpnx (double x, int n);
_sinxpnx LABEL NEAR

```



```

PUBLIC _sinxpnx
    ; Get all parameters into registers
    fld  dword ptr [esp+12] ; n
    fld  qword ptr [esp+4]  ; x
    ; Don't remove parameters from the stack. This is done by caller

L0: ; Common entry with parameters all in registers
    ; parameter x = st(0)
    ; parameter n = st(1)
    fmul st(1), st(0)      ; n*x
    fsin                               ; sin(x)
    fadd                               ; sin(x) + n*x
    ret                               ; return value is in st(0)
_sinxpnx@12 ENDP

```

The method of removing parameters from the stack in the function prolog rather than in the epilog is admittedly rather kludgy. A more efficient solution is to use conditional assembly:

```

; Example 8.4b
; Function with versions for __stdcall and __cdecl (32-bit Windows)
; Choose function prolog according to calling convention:
IFDEF STDCALL_          ; If STDCALL_ is defined
    _sinxpnx@12 PROC NEAR ; extern "C" __stdcall function name
ELSE
    _sinxpnx          PROC NEAR ; extern "C" __cdecl function name
ENDIF

; Function body common to both calling conventions:
    fld  dword ptr [esp+12] ; n
    fld  qword ptr [esp+4]  ; x
    fmul st(1), st(0)      ; n*x
    fsin                               ; sin(x)
    fadd                               ; sin(x) + n*x

; Choose function epilog according to calling convention:
IFDEF STDCALL_          ; If STDCALL_ is defined
    ret 12                      ; Clean up stack if __stdcall
    _sinxpnx@12 ENDP          ; End of function
ELSE
    ret                      ; Don't clean up stack if __cdecl
    _sinxpnx ENDP          ; End of function
ENDIF

```

This solution requires that you make two versions of the object file, one with `__cdecl` calling convention for the static link library and one with `__stdcall` calling convention for the dynamic link library. The distinction is made on the command line for the assembler. The `__stdcall` version is assembled with `/DSTDCALL_` on the command line to define the macro `STDCALL_`, which is detected by the `IFDEF` conditional.

8.3 Supporting multiple calling conventions in 64 bit mode

Calling conventions are better standardized in 64-bit systems than in 32-bit systems. There is only one calling convention for 64-bit Windows and one calling convention for 64-bit Linux and other Unix-like systems. Unfortunately, the two sets of calling conventions are quite different. The most important differences are:

- Function parameters are transferred in different registers in the two systems.
- Registers `RSI`, `RDI`, and `XMM6 - XMM15` have callee-save status in 64-bit Windows but not in 64-bit Linux.

- The caller must reserve a "shadow space" of 32 bytes on the stack for the called function in 64-bit Windows but not in Linux.
- A "red zone" of 128 bytes below the stack pointer is available for storage in 64-bit Linux but not in Windows.
- The Microsoft name mangling scheme is used in 64-bit Windows, the Gnu name mangling scheme is used in 64-bit Linux.

Both systems have the stack aligned by 16 before any call, and both systems have the stack cleaned up by the caller.

It is possible to make functions that can be used in both systems when the differences between the two systems are taken into account. The function should save the registers that have callee-save status in Windows or leave them untouched. The function should not use the shadow space or the red zone. The function should reserve a shadow space for any function it calls. The function needs two entries in order to resolve the differences in registers used for parameter transfer if it has any integer parameters.

Let's use example 4.1 page 31 once more and make an implementation that works in both 64-bit Windows and 64-bit Linux.

```

; Example 8.5a (Example 4.1e/f combined).
; Support for both 64-bit Windows and 64-bit Linux
; double sinxpnx (double x, int n) {return sin(x) + n * x;}

EXTRN    sin:near
ALIGN    8

; 64-bit Linux entry:
_Z7sinxpnxdi PROC NEAR          ; Gnu name mangling

    ; Linux has n in edi, Windows has n in edx. Move it:
    mov     edx, edi

; 64-bit Windows entry:
?sinxpnx@@YANNH@Z LABEL NEAR ; Microsoft name mangling
PUBLIC ?sinxpnx@@YANNH@Z
; parameter x = xmm0
; parameter n = edx
; return value = xmm0

    push    rbx                ; rbx must be saved
    sub     rsp, 48             ; space for x, shadow space f. sin, align
    movapd [rsp+32], xmm0      ; save x across call to sin
    mov     ebx, edx            ; save n across call to sin
    call    sin                 ; xmm0 = sin(xmm0)
    cvtsi2sd xmm1, ebx         ; convert n to double
    mulsd  xmm1, [rsp+32]      ; n * x
    addsd  xmm0, xmm1          ; sin(x) + n * x
    add    rsp, 48             ; restore stack pointer
    pop    rbx                 ; restore rbx
    ret                                ; return value is in xmm0
_Z7sinxpnxdi ENDP              ; End of function

```

We are not using `extern "C"` declaration here because we are relying on the different name mangling schemes for distinguishing between Windows and Linux. The two entries are used for resolving the differences in parameter transfer. If the function declaration had `n` before `x`, i.e. `double sinxpnx (int n, double x);`, then the Windows version would have `x` in `XMM1` and `n` in `ecx`, while the Linux version would still have `x` in `XMM0` and `n` in `EDI`.

The function is storing `x` on the stack across the call to `sin` because there are no XMM registers with callee-save status in 64-bit Linux. The function reserves 32 bytes of shadow space for the call to `sin` even though this is not needed in Linux.

8.4 Supporting different object file formats

Another compatibility problem stems from differences in the formats of object files.

Borland, Digital Mars and 16-bit Microsoft compilers use the OMF format for object files. Microsoft, Intel and Gnu compilers for 32-bit Windows use the COFF format, also called PE32. Gnu and Intel compilers under 32-bit Linux prefer the ELF32 format. Gnu and Intel compilers for Mac OS X use the 32- and 64-bit Mach-O format. The 32-bit Codeplay compiler supports both the OMF, PE32 and ELF32 formats. All compilers for 64-bit Windows use the COFF/PE32+ format, while compilers for 64-bit Linux use the ELF64 format.

The MASM assembler can produce both OMF, COFF/PE32 and COFF/PE32+ format object files, but not ELF format. The NASM assembler can produce OMF, COFF/PE32 and ELF32 formats. The YASM assembler can produce OMF, COFF/PE32, ELF32/64, COFF/PE32+ and MachO32/64 formats. The Gnu assembler (Gas) can produce ELF32/64 and MachO32/64 formats.

It is possible to do cross-platform development if you have an assembler that supports all the object file formats you need or a suitable object file conversion utility. This is useful for making function libraries that work on multiple platforms. An object file converter and cross-platform library manager named `objconv` is available from www.agner.org/optimize.

The `objconv` utility can change function names in the object file as well as converting to a different object file format. This eliminates the need for name mangling. Repeating example 8.5 without name mangling:

```

; Example 8.5b.
; Support for both 64-bit Windows and 64-bit Unix systems.
; double sinxpnx (double x, int n) {return sin(x) + n * x;}

EXTRN    sin:near
ALIGN    8

; 64-bit Linux entry:
Unix_sinxpnx PROC NEAR          ; Linux, BSD, Mac entry

    ; Unix has n in edi, Windows has n in edx. Move it:
    mov     edx, edi

; 64-bit Windows entry:
Win_sinxpnx LABEL NEAR        ; Microsoft entry
PUBLIC Win_sinxpnx
; parameter x = xmm0
; parameter n = edx
; return value = xmm0
    push    rbx                ; rbx must be saved
    sub     rsp, 48             ; space for x, shadow space f. sin, align
    movapd [rsp+32], xmm0      ; save x across call to sin
    mov     ebx, edx           ; save n across call to sin
    call   sin                 ; xmm0 = sin(xmm0)
    cvtsi2sd xmm1, ebx         ; convert n to double
    mulsd  xmm1, [rsp+32]      ; n * x
    addsd  xmm0, xmm1         ; sin(x) + n * x
    add    rsp, 48             ; restore stack pointer
    pop    rbx                ; restore rbx
    ret                                ; return value is in xmm0

```

```
Unix_sinxpnx ENDP ; End of function
```

This function can now be assembled and converted to multiple file formats with the following commands:

```
ml64 /c sinxpnx.asm
objconv -cof64 -np:Win_ sinxpnx.obj sinxpnx_win.obj
objconv -elf64 -np:Unix_ sinxpnx.obj sinxpnx_linux.o
objconv -mac64 -np:Unix:_ sinxpnx.obj sinxpnx_mac.o
```

The first line assembles the code using the Microsoft 64-bit assembler `ml64` and produces a COFF object file.

The second line replaces "`Win_`" with nothing in the beginning of function names in the object file. The result is a COFF object file for 64-bit Windows where the Windows entry for our function is available as `extern "C" double sinxpnx(double x, int n)`. The name `Unix_sinxpnx` for the Unix entry is still unchanged in the object file, but is not used.

The third line converts the file to ELF format for 64-bit Linux and BSD, and replaces "`Unix_`" with nothing in the beginning of function names in the object file. This makes the Unix entry for the function available as `sinxpnx`, while the unused Windows entry is `Win_sinxpnx`.

The fourth line does the same for the MachO file format, and puts an underscore prefix on the function name, as required by Mac compilers.

`Objconv` can also build and convert static library files (`*.lib`, `*.a`). This makes it possible to build a multi-platform function library on a single source platform.

An example of using this method is the multi-platform function library `asmlib.zip` available from www.agner.org/optimize/. `asmlib.zip` includes a makefile (see page 51) that makes multiple versions of the same library by using the object file converter `objconv`.

More details about object file formats can be found in the book "Linkers and Loaders" by J. R. Levine (Morgan Kaufmann Publ. 2000).

8.5 Supporting other high level languages

If you are using other high-level languages than C++, and the compiler manual has no information on how to link with assembly, then see if the manual has any information on how to link with C or C++ modules. You can probably find out how to link with assembly from this information.

In general, it is preferred to use simple functions without name mangling, compatible with the `extern "C"` and `__cdecl` or `__stdcall` conventions in C++. This will work with most compiled languages. Arrays and strings are usually implemented differently in different languages.

Many modern programming languages such as C# and Visual Basic.NET cannot link to static link libraries. You have to make a dynamic link library instead. Delphi Pascal may have problems linking to object files - it is easier to use a DLL.

Calling assembly code from Java is quite complicated. You have to compile the code to a DLL or shared object, and use the Java Native Interface (JNI) or Java Native Access (JNA).

9 Optimizing for speed

9.1 Identify the most critical parts of your code

Optimizing software is not just a question of fiddling with the right assembly instructions. Many modern applications use much more time on loading modules, resource files, databases, interface frameworks, etc. than on actually doing the calculations the program is made for. Optimizing the calculation time does not help when the program spends 99.9% of its time on something other than calculation. It is important to find out where the biggest time consumers are before you start to optimize anything. Sometimes the solution can be to change from C# to C++, to use a different user interface framework, to organize file input and output differently, to cache network data, to avoid dynamic memory allocation, etc., rather than using assembly language. See manual 1: "Optimizing software in C++" for further discussion.

The use of assembly code for optimizing software is relevant only for highly CPU-intensive programs such as sound and image processing, encryption, sorting, data compression and complicated mathematical calculations.

In CPU-intensive software programs, you will often find that more than 99% of the CPU time is used in the innermost loop. Identifying the most critical part of the software is therefore necessary if you want to improve the speed of computation. Optimizing less critical parts of the code will not only be a waste of time, it also makes the code less clear, and less easy to debug and maintain. Most compiler packages include a profiler that can tell you which part of the code is most critical. If you don't have a profiler and if it is not obvious which part of the code is most critical, then set up a number of counter variables that are incremented at different places in the code to see which part is executed most times. Use the methods described on page 162 for measuring how long time each part of the code takes.

It is important to study the algorithm used in the critical part of the code to see if it can be improved. Often you can gain more speed simply by choosing the optimal algorithm than by any other optimization method.

9.2 Out of order execution

All modern x86 processors can execute instructions out of order. Consider this example:

```
; Example 9.1a, Out-of-order execution
mov  eax, [mem1]
imul eax, 6
mov  [mem2], eax
mov  ebx, [mem3]
add  ebx, 2
mov  [mem4], ebx
```

This piece of code is doing two things that have nothing to do with each other: multiplying `[mem1]` by 6 and adding 2 to `[mem3]`. If it happens that `[mem1]` is not in the cache then the CPU has to wait many clock cycles while this operand is being fetched from main memory. The CPU will look for something else to do in the meantime. It cannot do the second instruction `imul eax,6` because it depends on the output of the first instruction. But the fourth instruction `mov ebx,[mem3]` is independent of the preceding instructions so it is possible to execute `mov ebx,[mem3]` and `add ebx,2` while it is waiting for `[mem1]`. The CPUs have many features to support efficient out-of-order execution. Most important is, of course, the ability to detect whether an instruction depends on the output of a previous instruction. Another important feature is register renaming. Assume that the we are using the same register for multiplying and adding in example 9.1a because there are no more spare registers:

```

; Example 9.1b, Out-of-order execution with register renaming
mov eax, [mem1]
imul eax, 6
mov [mem2], eax
mov eax, [mem3]
add eax, 2
mov [mem4], eax

```

Example 9.1b will work exactly as fast as example 9.1a because the CPU is able to use different physical registers for the same logical register `eax`. This works in a very elegant way. The CPU assigns a new physical register to hold the value of `eax` every time `eax` is written to. This means that the above code is changed inside the CPU to a code that uses four different physical registers for `eax`. The first register is used for the value loaded from `[mem1]`. The second register is used for the output of the `imul` instruction. The third register is used for the value loaded from `[mem3]`. And the fourth register is used for the output of the `add` instruction. The use of different physical registers for the same logical register enables the CPU to make the last three instructions in example 9.1b independent of the first three instructions. The CPU must have a lot of physical registers for this mechanism to work efficiently. The number of physical registers is different for different microprocessors, but you can generally assume that the number is sufficient for quite a lot of instruction reordering.

Partial registers

Some CPUs can keep different parts of a register separate, while other CPUs always treat a register as a whole. If we change example 9.1b so that the second part uses 16-bit registers then we have the problem of a false dependence:

```

; Example 9.1c, False dependence of partial register
mov eax, [mem1]           ; 32 bit memory operand
imul eax, 6
mov [mem2], eax
mov ax, [mem3]           ; 16 bit memory operand
add ax, 2
mov [mem4], ax

```

Here the instruction `mov ax, [mem3]` changes only the lower 16 bits of register `eax`, while the upper 16 bits retain the value they got from the `imul` instruction. Some CPUs from both Intel, AMD and VIA are unable to rename a partial register. The consequence is that the `mov ax, [mem3]` instruction has to wait for the `imul` instruction to finish because it needs to combine the 16 lower bits from `[mem3]` with the 16 upper bits from the `imul` instruction.

Other CPUs are able to split the register into parts in order to avoid the false dependence, but this has another disadvantage in case the two parts have to be joined together again. Assume, for example, that the code in example 9.1c is followed by `PUSH EAX`. On some processors, this instruction has to wait for the two parts of `EAX` to retire in order to join them together, at the cost of 5-6 clock cycles. Other processors will generate an extra μop for joining the two parts of the register together.

These problems are avoided by replacing `mov ax, [mem3]` with `movzx eax, [mem3]`. This resets the high bits of `eax` and breaks the dependence on any previous value of `eax`. In 64-bit mode, it is sufficient to write to the 32-bit register because this always resets the upper part of a 64-bit register. Thus, `movzx eax, [mem3]` and `movzx rax, [mem3]` are doing exactly the same thing. The 32-bit version of the instruction is one byte shorter than the 64-bit version. Any use of the high 8-bit registers `AH`, `BH`, `CH`, `DH` should be avoided because it can cause false dependences and less efficient code.

The flags register can cause similar problems for instructions that modify some of the flag bits and leave other bits unchanged. For example, the `INC` and `DEC` instructions leave the carry flag unchanged but modifies the zero and sign flags.

Micro-operations

Another important feature is the splitting of instructions into micro-operations (abbreviated `μops` or `uops`). The following example shows the advantage of this:

```
; Example 9.2, Splitting instructions into uops
push  eax
call  SomeFunction
```

The `push eax` instruction does two things. It subtracts 4 from the stack pointer and stores `eax` to the address pointed to by the stack pointer. Assume now that `eax` is the result of a long and time-consuming calculation. This delays the `push` instruction. The `call` instruction depends on the value of the stack pointer which is modified by the `push` instruction. If instructions were not split into `μops` then the `call` instruction would have to wait until the `push` instruction was finished. But the CPU splits the `push eax` instruction into `sub esp,4` followed by `mov [esp],eax`. The `sub esp,4` micro-operation can be executed before `eax` is ready, so the `call` instruction will wait only for `sub esp,4`, not for `mov [esp],eax`.

Execution units

Out-of-order execution becomes even more efficient when the CPU can do more than one thing at the same time. Many CPUs can do two, three or four things at the same time if the things to do are independent of each other and do not use the same execution units in the CPU. Most CPUs have at least two integer ALU's (Arithmetic Logic Units) so that they can do two or more integer additions per clock cycle. There is usually one floating point add unit and one floating point multiplication unit so that it is possible to do a floating point addition and a multiplication at the same time. There may be one memory read unit and one memory write unit so that it is possible to read and write to memory at the same time. The maximum average number of `μops` per clock cycle is three or four on many processors so that it is possible, for example, to do an integer operation, a floating point operation, and a memory operation in the same clock cycle. The maximum number of arithmetic operations (i.e. anything else than memory read or write) is limited to two or three `μops` per clock cycle, depending on the CPU.

Pipelined instructions

Floating point operations typically take more than one clock cycle, but they are usually pipelined so that e.g. a new floating point addition can start before the previous addition is finished. MMX and XMM instructions use the floating point execution units even for integer instructions on many CPUs. The details about which instructions can be executed simultaneously or pipelined and how many clock cycles each instruction takes are CPU specific. The details for each type of CPU are explained manual 3: "The microarchitecture of Intel, AMD and VIA CPUs" and manual 4: "Instruction tables".

Summary

The most important things you have to be aware of in order to take maximum advantage of out-or-order execution are:

- At least the following registers can be renamed: all general purpose registers, the stack pointer, the flags register, floating point registers, MMX, XMM and YMM registers. Some CPUs can also rename segment registers and the floating point control word.
- Prevent false dependences by writing to a full register rather than a partial register.

- The `INC` and `DEC` instructions are inefficient on some CPUs because they write to only part of the flags register (excluding the carry flag). Use `ADD` or `SUB` instead to avoid false dependences or inefficient splitting of the flags register.
- A chain of instructions where each instruction depends on the previous one cannot execute out of order. Avoid long dependency chains. (See page 65).
- Memory operands cannot be renamed.
- A memory read can execute before a preceding memory write to a different address. Any pointer or index registers should be calculated as early as possible so that the CPU can verify that the addresses of memory operands are different.
- A memory write cannot execute before a preceding write, but the write buffers can hold a number of pending writes, typically four or more.
- A memory read can execute before another preceding read on Intel processors, but not on AMD processors.
- The CPU can do more things simultaneously if the code contains a good mixture of instructions from different categories, such as: simple integer instructions, floating point addition, multiplication, memory read, memory write.

9.3 Instruction fetch, decoding and retirement

Instruction fetching can be a bottleneck. Many processors cannot fetch more than 16 bytes of instruction code per clock cycle. It may be necessary to make instructions as short as possible if this limit turns out to be critical. One way of making instructions shorter is to replace memory operands by pointers (see chapter 10 page 73). The address of memory operands can possibly be loaded into pointer registers outside of a loop if instruction fetching is a bottleneck. Large constants can likewise be loaded into registers.

Instruction fetching is delayed by jumps on most processors. It is important to minimize the number of jumps in critical code. Branches that are not taken and correctly predicted do not delay instruction fetching. It is therefore advantageous to organize if-else branches so that the branch that is followed most commonly is the one where the conditional jump is not taken.

Most processors fetch instructions in aligned 16-byte or 32-byte blocks. It can be advantageous to align critical loop entries and subroutine entries by 16 in order to minimize the number of 16-byte boundaries in the code. Alternatively, make sure that there is no 16-byte boundary in the first few instructions after a critical loop entry or subroutine entry.

Instruction decoding is often a bottleneck. The organization of instructions that gives the optimal decoding is processor-specific. Intel PM processors require a 4-1-1 decode pattern. This means that instructions which generate 2, 3 or 4 μ ops should be interspersed by two single- μ op instructions. On Core2 processors the optimal decode pattern is 4-1-1-1. On AMD processors it is preferred to avoid instructions that generate more than 2 μ ops.

Instructions with multiple prefixes can slow down decoding. The maximum number of prefixes that an instruction can have without slowing down decoding is 1 on 32-bit Intel processors, 2 on Intel P4E processors, 3 on AMD processors, and unlimited on Core2. Avoid address size prefixes. Avoid operand size prefixes on instructions with an immediate operand. For example, it is preferred to replace `MOV AX, 2` by `MOV EAX, 2`.

Decoding is rarely a bottleneck on processors with a trace cache, but there are specific requirements for optimal use of the trace cache.

Most Intel processors have a problem called register read stalls. This occurs if the code has several registers which are often read from but seldom written to.

Instruction retirement can be a bottleneck on most processors. AMD processors and Intel PM and P4 processors can retire no more than 3 μ ops per clock cycle. Core2 processors can retire 4 μ ops per clock cycle. No more than one taken jump can retire per clock cycle.

All these details are processor-specific. See manual 3: "The microarchitecture of Intel, AMD and VIA CPUs" for details.

9.4 Instruction latency and throughput

The latency of an instruction is the number of clock cycles it takes from the time the instruction starts to execute till the result is ready. The time it takes to execute a dependency chain is the sum of the latencies of all instructions in the chain.

The throughput of an instruction is the maximum number of instructions of the same kind that can be executed per clock cycle if the instructions are independent. I prefer to list the reciprocal throughputs because this makes it easier to compare latency and throughput. The reciprocal throughput is the average time it takes from the time an instruction starts to execute till another independent instruction of the same type can start to execute, or the number of clock cycles per instruction in a series of independent instructions of the same kind. For example, floating point addition on a Core 2 processor has a latency of 3 clock cycles and a reciprocal throughput of 1 clock per instruction. This means that the processor uses 3 clock cycles per addition if each addition depends on the result of the preceding addition, but only 1 clock cycle per addition if the additions are independent.

Manual 4: "Instruction tables" contains detailed lists of latencies and throughputs for almost all instructions on many different microprocessors from Intel, AMD and VIA.

The following list shows some typical values.

Instruction	Typical latency	Typical reciprocal throughput
Integer move	1	0.33-0.5
Integer addition	1	0.33-0.5
Integer Boolean	1	0.33-1
Integer shift	1	0.33-1
Integer multiplication	3-10	1-2
Integer division	20-80	20-40
Floating point addition	3-6	1
Floating point multiplication	4-8	1-2
Floating point division	20-45	20-45
Integer vector addition (XMM)	1-2	0.5-2
Integer vector multiplication (XMM)	3-7	1-2
Floating point vector addition (XMM)	3-5	1-2
Floating point vector multiplication (XMM)	4-7	1-4
Floating point vector division (XMM)	20-60	20-60
Memory read (cached)	3-4	0.5-1
Memory write (cached)	3-4	1
Jump or call	0	1-2

Table 9.1. Typical instruction latencies and throughputs

9.5 Break dependency chains

In order to take advantage of out-of-order execution, you have to avoid long dependency chains. Consider the following C++ example, which calculates the sum of 100 numbers:

```
// Example 9.3a, Loop-carried dependency chain
double list[100], sum = 0.;
for (int i = 0; i < 100; i++) sum += list[i];
```

This code is doing a hundred additions, and each addition depends on the result of the preceding one. This is a loop-carried dependency chain. A loop-carried dependency chain can be very long and completely prevent out-of-order execution for a long time. Only the calculation of `i` can be done in parallel with the floating point addition.

Assuming that floating point addition has a latency of 4 and a reciprocal throughput of 1, the optimal implementation will have four accumulators so that we always have four additions in the pipeline of the floating point adder. In C++ this will look like:

```
// Example 9.3b, Multiple accumulators
double list[100], sum1 = 0., sum2 = 0., sum3 = 0., sum4 = 0.;
for (int i = 0; i < 100; i += 4) {
    sum1 += list[i];
    sum2 += list[i+1];
    sum3 += list[i+2];
    sum4 += list[i+3];
}
sum1 = (sum1 + sum2) + (sum3 + sum4);
```

Here we have four dependency chains running in parallel and each dependency chain is one fourths as long as the original one. The optimal number of accumulators is the latency of the instruction (in this case floating point addition), divided by the reciprocal throughput. See page 65 for examples of assembly code for loops with multiple accumulators.

It may not be possible to obtain the theoretical maximum throughput. The more parallel dependency chains there are, the more difficult is it for the CPU to schedule and reorder the pops optimally. It is particularly difficult if the dependency chains are branched or entangled.

Dependency chains occur not only in loops but also in linear code. Such dependency chains can also be broken up. For example, `y = a + b + c + d` can be changed to `y = (a + b) + (c + d)` so that the two parentheses can be calculated in parallel.

Sometimes there are different possible ways of implementing the same calculation with different latencies. For example, you may have the choice between a branch and a conditional move. The branch has the shortest latency, but the conditional move avoids the risk of branch misprediction (see page 67). Which implementation is optimal depends on how predictable the branch is and how long the dependency chain is.

A common way of setting a register to zero is `XOR EAX, EAX` or `SUB EAX, EAX`. Some processors recognize that these instructions are independent of the prior value of the register. So any instruction that uses the new value of the register will not have to wait for the value prior to the `XOR` or `SUB` instruction to be ready. These instructions are useful for breaking an unnecessary dependence. The following list summarizes which instructions are recognized as breaking dependence when source and destination are the same, on different processors:

Instruction	P3 and earlier	P4	PM	Core2	AMD
<code>XOR</code>	-	X	-	X	X
<code>SUB</code>	-	X	-	X	X

SBB	-	-	-	-	X
CMP	-	-	-	-	-
PXOR	-	X	-	X	X
XORPS, XORPD	-	-	-	X	X
PANDN	-	-	-	-	-
PSUBxx	-	-	-	X	-
PCMPxx	-	-	-	X	-

Table 9.2. Instructions that break dependence when source and destination are the same

You should not break a dependence by an 8-bit or 16-bit part of a register. For example `XOR AX, AX` breaks a dependence on some processors, but not all. But `XOR EAX, EAX` is sufficient for breaking the dependence on `RAX` in 64-bit mode.

The `SBB EAX, EAX` is of course dependent on the carry flag, even when it does not depend on `EAX`.

You may also use these instructions for breaking dependences on the flags. For example, rotate instructions have a false dependence on the flags in Intel processors. This can be removed in the following way:

```

; Example 9.4, Break dependence on flags
ror  eax, 1
sub  edx, edx    ; Remove false dependence on the flags
ror  ebx, 1

```

You cannot use `CLC` for breaking dependences on the carry flag.

9.6 Jumps and calls

Jumps, branches, calls and returns do not necessarily add to the execution time of a code because they will typically be executed in parallel with something else. The number of jumps etc. should nevertheless be kept at a minimum in critical code for the following reasons:

- The fetching of code after an unconditional jump or a taken conditional jump is delayed by typically 1-3 clock cycles, depending on the microprocessor. The delay is worst if the target is near the end of a 16-bytes or 32-bytes code fetch block (i.e. before an address divisible by 16).
- The code cache becomes fragmented and less efficient when jumping around between noncontiguous subroutines.
- Microprocessors with a μ op cache or trace cache are likely to store multiple instances of the same code in this cache when the code contains many jumps.
- The branch target buffer (BTB) can store only a limited number of jump target addresses. A BTB miss costs many clock cycles.
- Conditional jumps are predicted according to advanced branch prediction mechanisms. Mispredictions are expensive, as explained below.
- On most processors, branches can interfere with each other in the global branch pattern history table and the branch history register. One branch may therefore reduce the prediction rate of other branches.

- Returns are predicted by the use of a return stack buffer, which can only hold a limited number of return addresses, typically 8 or more.
- Indirect jumps and indirect calls are poorly predicted on older processors.

All modern CPUs have an execution pipeline that contains stages for instruction prefetching, decoding, register renaming, μ op reordering and scheduling, execution, retirement, etc. The number of stages in the pipeline range from 12 to 22, depending on the specific micro-architecture. When a branch instruction is fed into the pipeline then the CPU doesn't know for sure which instruction is the next one to fetch into the pipeline. It takes 12-22 more clock cycles before the branch instruction is executed so that it is known with certainty which way the branch goes. This uncertainty is likely to break the flow through the pipeline. Rather than waiting 12 or more clock cycles for an answer, the CPU attempts to guess which way the branch will go. The guess is based on the previous behavior of the branch. If the branch has gone the same way the last several times then it is predicted that it will go the same way this time. If the branch has alternated regularly between the two ways then it is predicted that it will continue to alternate.

If the prediction is right then the CPU has saved a lot of time by loading the right branch into the pipeline and started to decode and speculatively execute the instructions in the branch. If the prediction was wrong then the mistake is discovered after several clock cycles and the mistake has to be fixed by flushing the pipeline and discarding the results of the speculative executions. The cost of a branch misprediction ranges from 12 to more than 50 clock cycles, depending on the length of the pipeline and other details of the microarchitecture. This cost is so high that very advanced algorithms have been implemented in order to refine the branch prediction. These algorithms are explained in detail in manual 3: "The microarchitecture of Intel, AMD and VIA CPUs".

In general, you can assume that branches are predicted correctly most of the time in these cases:

- If the branch always goes the same way.
- If the branch follows a simple repetitive pattern and is inside a loop with few or no other branches.
- If the branch is correlated with a preceding branch.
- If the branch is a loop with a constant, small repeat count and there are few or no conditional jumps inside the loop.

The worst case is a branch that goes either way approximately 50% of the time, does not follow any regular pattern, and is not correlated with any preceding branch. Such a branch will be mispredicted 50% of the time. This is so costly that the branch should be replaced by conditional moves or a table lookup if possible.

In general, you should try to keep the number of poorly predicted branches at a minimum and keep the number of branches inside a loop at a minimum. It may be useful to split up or unroll a loop if this can reduce the number of branches inside the loop.

Indirect jumps and indirect calls are often poorly predicted. Older processors will simply predict an indirect jump or call to go the same way as it did last time. Many newer processors are able to recognize simple repetitive patterns for indirect jumps.

Returns are predicted by means of a so-called return stack buffer which is a first-in-last-out buffer that mirrors the return addresses pushed on the stack. A return stack buffer with 16 entries can correctly predict all returns for subroutines at a nesting level up to 16. If the

subroutine nesting level is deeper than the size of the return stack buffer then the failure will be seen at the outer nesting levels, not the presumably more critical inner nesting levels. A return stack buffer size of 8 or more is therefore sufficient in most cases, except for deeply nested recursive functions.

The return stack buffer will fail if there is a call without a matching return or a return without a preceding call. It is therefore important to always match calls and returns. Do not jump out of a subroutine by any other means than by a `RET` instruction. And do not use the `RET` instruction as an indirect jump. Far calls should be matched with far returns.

Make conditional jumps most often not taken

The efficiency and throughput for not-taken branches is better than for taken branches on most processors. Therefore, it is good to place the most frequent branch first:

```
; Example 9.5, Place most frequent branch first
Func1 PROC NEAR
    cmp  eax,567
    je   L1
    ; frequent branch
    ret
L1:    ; rare branch
    ret
```

Eliminating calls

It is possible to replace a call followed by a return by a jump:

```
; Example 9.6a, call/ret sequence (32-bit)
Func1 PROC NEAR
    ...
    call Func2
    ret
Func1 ENDP
```

This can be changed to:

```
; Example 9.6b, call+ret replaced by jmp
Func1 PROC NEAR
    ...
    jmp  Func2
Func1 ENDP
```

This modification does not conflict with the return stack buffer mechanism because the call to `Func1` is matched with the return from `Func2`. In systems with stack alignment, it is necessary to restore the stack pointer before the jump:

```
; Example 9.7a, call/ret sequence (64-bit Windows or Linux)
Func1 PROC NEAR
    sub  rsp, 8           ; Align stack by 16
    ...
    call Func2           ; This call can be eliminated
    add  rsp, 8
    ret
Func1 ENDP
```

This can be changed to:

```
; Example 9.7b, call+ret replaced by jmp with stack aligned
Func1 PROC NEAR
    sub  rsp, 8
    ...
```

```

        add    rsp, 8           ; Restore stack pointer before jump
        jmp    Func2
Func1 ENDP

```

Eliminating unconditional jumps

It is often possible to eliminate a jump by copying the code that it jumps to. The code that is copied can typically be a loop epilog or function epilog. The following example is a function with an if-else branch inside a loop:

```

; Example 9.8a, Function with jump that can be eliminated
FuncA PROC NEAR
        push   ebp
        mov    ebp, esp
        sub    esp, StackSpaceNeeded
        lea   edx, EndOfSomeArray
        xor    eax, eax

Loop1:
        cmp    [edx+eax*4], eax    ; Loop starts here
        je    ElseBranch         ; if-else
        ...                      ; First branch
        jmp    End_If
ElseBranch:
        ...                      ; Second branch
End_If:
        add    eax, 1             ; Loop epilog
        jnz   Loop1

        mov    esp, ebp         ; Function epilog
        pop   ebp
        ret
FuncA ENDP

```

The jump to `End_If` may be eliminated by duplicating the loop epilog:

```

; Example 9.8b, Loop epilog copied to eliminate jump
FuncA PROC NEAR
        push   ebp
        mov    ebp, esp
        sub    esp, StackSpaceNeeded
        lea   edx, EndOfSomeArray
        xor    eax, eax

Loop1:
        cmp    [edx+eax*4], eax    ; Loop starts here
        je    ElseBranch         ; if-else
        ...                      ; First branch
        add    eax, 1             ; Loop epilog for first branch
        jnz   Loop1
        jmp    AfterLoop
ElseBranch:
        ...                      ; Second branch
        add    eax, 1             ; Loop epilog for second branch
        jnz   Loop1
AfterLoop:
        mov    esp, ebp         ; Function epilog
        pop   ebp
        ret
FuncA ENDP

```

In example 9.8b, the unconditional jump inside the loop has been eliminated by making two copies of the loop epilog. The branch that is executed most often should come first because

the first branch is fastest. The unconditional jump to `AfterLoop` can also be eliminated. This is done by copying the function epilog:

```

; Example 9.8b, Function epilog copied to eliminate jump
FuncA PROC NEAR
    push    ebp
    mov     ebp, esp
    sub     esp, StackSpaceNeeded
    lea    edx, EndOfSomeArray
    xor     eax, eax

Loop1:
    cmp     [edx+eax*4], eax    ; Loop starts here
    je     ElseBranch         ; if-else
    ...
    add     eax, 1             ; First branch
    jnz    Loop1              ; Loop epilog for first branch

    mov     esp, ebp          ; Function epilog 1
    pop     ebp
    ret

ElseBranch:
    ...
    add     eax, 1             ; Second branch
    jnz    Loop1              ; Loop epilog for second branch

    mov     esp, ebp          ; Function epilog 2
    pop     ebp
    ret
FuncA ENDP

```

The gain that is obtained by eliminating the jump to `AfterLoop` is less than the gain obtained by eliminating the jump to `End_If` because it is outside the loop. But I have shown it here to illustrate the general method of duplicating a function epilog.

Replacing conditional jumps with conditional moves

The most important jumps to eliminate are conditional jumps, especially if they are poorly predicted. Example:

```

// Example 9.9a. C++ branch to optimize
a = b > c ? d : e;

```

This can be implemented with either a conditional jump or a conditional move:

```

; Example 9.9b. Branch implemented with conditional jump
mov     eax, [b]
cmp     eax, [c]
jng    L1
mov     eax, [d]
jmp    L2
L1:    mov     eax, [e]
L2:    mov     [a], eax

; Example 9.9c. Branch implemented with conditional move
mov     eax, [b]
cmp     eax, [c]
mov     eax, [d]
cmovng eax, [e]
mov     [a], eax

```

The advantage of a conditional move is that it avoids branch mispredictions. But it has the disadvantage that it increases the length of a dependency chain, while a predicted branch breaks the dependency chain. If the code in example 9.9c is part of a dependency chain then the `cmov` instruction adds to the length of the chain. The latency of `cmov` is two clock cycles on Intel processors, and one clock cycle on AMD processors. If the same code is implemented with a conditional jump as in example 9.9b and if the branch is predicted correctly, then the result doesn't have to wait for `b` and `c` to be ready. It only has to wait for either `d` or `e`, whichever is chosen. This means that the dependency chain is broken by the predicted branch, while the implementation with a conditional move has to wait for both `b`, `c`, `d` and `e` to be available. If `d` and `e` are complicated expressions, then both have to be calculated when the conditional move is used, while only one of them has to be calculated if a conditional jump is used.

As a rule of thumb, we can say that a conditional jump is faster than a conditional move if the code is part of a dependency chain and the prediction rate is better than 75%. A conditional jump is also preferred if we can avoid a lengthy calculation of `d` or `e` when the other operand is chosen.

Loop-carried dependency chains are particularly sensitive to the disadvantages of conditional moves. For example, the code in example 12.13a on page 113 works more efficiently with a branch inside the loop than with a conditional move, even if the branch is poorly predicted. This is because the floating point conditional move adds to the loop-carried dependency chain and because the implementation with a conditional move has to calculate all the `power*xp` values, even when they are not used.

Another example of a loop-carried dependency chain is a binary search in a sorted list. If the items to search for are randomly distributed over the entire list then the branch prediction rate will be close to 50% and it will be faster to use conditional moves. But if the items are often close to each other so that the prediction rate will be better, then it is more efficient to use conditional jumps than conditional moves because the dependency chain is broken every time a correct branch prediction is made.

It is also possible to do conditional moves in vector registers on an element-by-element basis. See page 115ff for details. There are special vector instructions for getting the minimum or maximum of two numbers. It may be faster to use vector registers than integer or floating point registers for finding minimums or maximums.

Replacing conditional jumps with conditional set instructions

If a conditional jump is used for setting a Boolean variable to 0 or 1 then it is often more efficient to use the conditional set instruction. Example:

```
// Example 9.10a. Set a bool variable on some condition
int b, c;
bool a = b > c;

; Example 9.10b. Implementation with conditional set
mov  eax, [b]
cmp  eax, [c]
setg al
mov  [a], al
```

The conditional set instruction writes only to 8-bit registers. If a 32-bit result is needed then set the rest of the register to zero before the compare:

```
; Example 9.10c. Implementation with conditional set, 32 bits
mov  eax, [b]
xor  ebx, ebx ; zero register before cmp to avoid changing flags
cmp  eax, [c]
```

```

setg    bl
mov     [a], ebx

```

If there is no vacant register then use `movzx`:

```

; Example 9.10d. Implementation with conditional set, 32 bits
mov     eax, [b]
cmp     eax, [c]
setg    al
movzx   eax, al
mov     [a], eax

```

If a value of all ones is needed for true then use `neg eax`.

An implementation with conditional jumps may be faster than conditional set if the prediction rate is good and the code is part of a long dependency chain, as explained in the previous section (page 70).

Replacing conditional jumps with bit-manipulation instructions

It is sometimes possible to obtain the same effect as a branch by ingenious manipulation of bits and flags. The carry flag is particularly useful for bit manipulation tricks:

```

; Example 9.11, Set carry flag if eax is zero:
cmp     eax, 1

; Example 9.12, Set carry flag if eax is not zero:
neg     eax

; Example 9.13, Increment eax if carry flag is set:
adc     eax, 0

; Example 9.14, Copy carry flag to all bits of eax:
sbb    eax, eax

; Example 9.15, Copy bits one by one from carry into a bit vector:
rcl    eax, 1

```

It is possible to calculate the absolute value of a signed integer without branching:

```

; Example 9.16, Calculate absolute value of eax
cdq                    ; Copy sign bit of eax to all bits of edx
xor  eax, edx          ; Invert all bits if negative
sub  eax, edx          ; Add 1 if negative

```

The following example finds the minimum of two unsigned numbers: if $(b > a)$ $b = a$;

```

; Example 9.17a, Find minimum of eax and ebx (unsigned):
sub  eax, ebx          ; = a-b
sbb  edx, edx          ; = (b > a) ? 0xFFFFFFFF : 0
and  edx, eax          ; = (b > a) ? a-b : 0
add  ebx, edx          ; Result is in ebx

```

Or, for signed numbers, ignoring overflow:

```

; Example 9.17b, Find minimum of eax and ebx (signed):
sub  eax, ebx          ; Will not work if overflow here
cdq                    ; = (b > a) ? 0xFFFFFFFF : 0
and  edx, eax          ; = (b > a) ? a-b : 0
add  ebx, edx          ; Result is in ebx

```

The next example chooses between two numbers: if $(a < 0)$ $d = b$; else $d = c$;


```

; Example 9.18a, Choose between two numbers
test  eax, eax
mov   edx, ecx
cmovs edx, ebx    ; = (a < 0) ? b : c

```

Conditional moves are not very efficient on Intel processors and not available on old processors. Alternative implementations may be faster in some cases. The following example gives the same result as example 9.18a.

```

; Example 9.18b, Choose between two numbers without conditional move:
cdq          ; = (a < 0) ? 0xFFFFFFFF : 0
xor  ebx, ecx ; b ^ c = bits that differ between b and c
and  edx, ebx ; = (a < 0) ? (b ^ c) : 0
xor  edx, ecx ; = (a < 0) ? b : c

```

Example 9.18b may be faster than 9.18a on processors where conditional moves are inefficient. Example 9.18b destroys the value of `ebx`.

Whether these tricks are faster than a conditional jump depends on the prediction rate, as explained above.

10 Optimizing for size

The code cache can hold from 8 to 32 kb of code, as explained in chapter 11 page 82. If there are problems keeping the critical parts of the code within the code cache, then you may consider reducing the size of the code. Reducing the code size can also improve the decoding of instructions. Loops that have no more than 64 bytes of code perform particularly fast on the Core2 processor.

You may even want to reduce the size of the code at the cost of reduced speed if speed is not important.

32-bit code is usually bigger than 16-bit code because addresses and data constants take 4 bytes in 32-bit code and only 2 bytes in 16-bit code. However, 16-bit code has other penalties, especially because of segment prefixes. 64-bit code does not need more bytes for addresses than 32-bit code because it can use 32-bit RIP-relative addresses. 64-bit code may be slightly bigger than 32-bit code because of REX prefixes and other minor differences, but it may as well be smaller than 32-bit code because the increased number of registers reduces the need for memory variables.

10.1 Choosing shorter instructions

Certain instructions have short forms. `PUSH` and `POP` instructions with an integer register take only one byte. `XCHG EAX, reg32` is also a single-byte instruction and thus takes less space than a `MOV` instruction, but `XCHG` is slower than `MOV`. `INC` and `DEC` with a 32-bit register in 32-bit mode, or a 16-bit register in 16-bit mode take only one byte. The short form of `INC` and `DEC` is not available in 64-bit mode.

The following instructions take one byte less when they use the accumulator than when they use any other register: `ADD`, `ADC`, `SUB`, `SBB`, `AND`, `OR`, `XOR`, `CMP`, `TEST` with an immediate operand without sign extension. This also applies to the `MOV` instruction with a memory operand and no pointer register in 16 and 32 bit mode, but not in 64 bit mode. Examples:

```

; Example 10.1. Instruction sizes
add  eax,1000  is smaller than  add  ebx,1000

```

`mov eax, [mem]` is smaller than `mov ebx, [mem]`, except in 64 bit mode.

Instructions with pointers take one byte less when they have only a base pointer (except `ESP`, `RSP` or `R12`) and a displacement than when they have a scaled index register, or both base pointer and index register, or `ESP`, `RSP` or `R12` as base pointer. Examples:

```
; Example 10.2. Instruction sizes
mov eax, array[ebx]      is smaller than  mov eax, array[ebx*4]
mov eax, [ebp+12]       is smaller than  mov eax, [esp+12]
```

Instructions with `BP`, `EBP`, `RBP` or `R13` as base pointer and no displacement and no index take one byte more than with other registers:

```
; Example 10.3. Instruction sizes
mov eax, [ebx]          is smaller than  mov eax, [ebp], but
mov eax, [ebx+4]        is same size as  mov eax, [ebp+4].
```

Instructions with a scaled index pointer and no base pointer must have a four bytes displacement, even when it is 0:

```
; Example 10.4. Instruction sizes
lea eax, [ebx+ebx]      is shorter than  lea eax, [ebx*2].
```

Instructions in 64-bit mode need a REX prefix if at least one of the registers `R8 - R15` or `XMM8 - XMM15` are used. Instructions that use these registers are therefore one byte longer than instructions that use other registers, unless a REX prefix is needed anyway for other reasons:

```
; Example 10.5a. Instruction sizes (64 bit mode)
mov eax, [rbx]          is smaller than  mov eax, [r8].

; Example 10.5b. Instruction sizes (64 bit mode)
mov rax, [rbx]          is same size as  mov rax, [r8].
```

In example 10.5a, we can avoid a REX prefix by using register `RBX` instead of `R8` as pointer. But in example 10.5b, we need a REX prefix anyway for the 64-bit operand size, and the instruction cannot have more than one REX prefix.

Floating point calculations can be done either with the old x87 style instructions with floating point stack registers `ST(0) - ST(7)` or the new SSE style instructions with XMM registers. The x87 style instructions are more compact than the latter, for example:

```
; Example 10.6. Floating point instruction sizes
fadd st(0), st(1)      ; 2 bytes
addsd xmm0, xmm1       ; 4 bytes
```

The use of x87 style code may be advantageous even if it requires extra `FXCH` instructions. There is no big difference in execution speed between the two types of floating point instructions on current processors. However, it is possible that the x87 style instructions will be considered obsolete and will be less efficient on future processors.

Processors supporting the AVX instruction set can code XMM instructions in two different ways, with a VEX prefix or with the old prefixes. Sometimes the VEX version is shorter and sometimes the old version is shorter. However, there is a severe performance penalty to mixing XMM instructions without VEX prefix with instructions using YMM registers on some processors.

The AVX512 instruction set uses a new 4-bytes prefix called EVEX. While the EVEX prefix is one or two bytes longer than the VEX prefix, it allows a more efficient coding of memory operands with pointer and offset. Memory operands with a 4-bytes offset can sometimes be replaced by a 1-byte scaled offset when the EVEX prefix is used. Thereby the total instruction length becomes smaller.

10.2 Using shorter constants and addresses

Many jump addresses, data addresses, and data constants can be expressed as sign-extended 8-bit constants. This saves a lot of space. A sign-extended byte can only be used if the value is within the interval from -128 to +127.

For jump addresses, this means that short jumps take two bytes of code, whereas jumps beyond 127 bytes take 5 bytes if unconditional and 6 bytes if conditional.

Likewise, data addresses take less space if they can be expressed as a pointer and a displacement between -128 and +127. The following example assumes that `[mem1]` and `[mem2]` are static memory addresses in the data segment and that the distance between them is less than 128 bytes:

```
; Example 10.7a, Static memory operands
mov ebx, [mem1]           ; 6 bytes
add ebx, [mem2]           ; 6 bytes
```

Reduce to:

```
; Example 10.7b, Replace addresses by pointer
mov eax, offset mem1     ; 5 bytes
mov ebx, [eax]           ; 2 bytes
add ebx, [eax] + (mem2 - mem1) ; 3 bytes
```

In 64-bit mode you need to replace `mov eax, offset mem1` with `lea rax, [mem1]`, which is one byte longer. The advantage of using a pointer obviously increases if you can use the same pointer many times. Storing data on the stack and using `EBP` or `ESP` as pointer will thus make the code smaller than if you use static memory locations and absolute addresses, provided of course that the data are within +/-127 bytes of the pointer. Using `PUSH` and `POP` to write and read temporary integer data is even shorter.

Data constants may also take less space if they are between -128 and +127. Most instructions with immediate operands have a short form where the operand is a sign-extended single byte. Examples:

```
; Example 10.8, Sign-extended operands
push 200           ; 5 bytes
push 100           ; 2 bytes, sign extended

add ebx, 128       ; 6 bytes
sub ebx, -128      ; 3 bytes, sign extended
```

The only instructions with an immediate operand that do not have a short form with a sign-extended 8-bit constant are `MOV`, `TEST`, `CALL` and `RET`. A `TEST` instruction with a 32-bit immediate operand can be replaced with various shorter alternatives, depending on the logic in case. Some examples:

```
; Example 10.9, Alternatives to test with 32-bit constant
test eax, 8         ; 5 bytes
test ebx, 8         ; 6 bytes
test al, 8          ; 2 bytes
test bl, 8          ; 3 bytes
```

```

and ebx, 8 ; 3 bytes
bt ebx, 3 ; 4 bytes (uses carry flag)
cmp ebx, 8 ; 3 bytes

```

It is not recommended to use the versions with 16-bit constants in 32-bit or 64-bit modes, such as `TEST AX, 800H` because it will cause a penalty for decoding a length-changing prefix on some processors, as explained in manual 3: "The microarchitecture of Intel, AMD and VIA CPUs".

Shorter alternatives for `MOV register, constant` are often useful. Examples:

```

; Example 10.10, Loading constants into 32-bit registers
mov eax, 0 ; 5 bytes
sub eax, eax ; 2 bytes

mov eax, 1 ; 5 bytes
sub eax, eax / inc eax ; 3 bytes
push 1 / pop eax ; 3 bytes

mov eax, -1 ; 5 bytes
or eax, -1 ; 3 bytes

```

You may also consider reducing the size of static data. Obviously, an array can be made smaller by using a smaller data size for the elements. For example 16-bit integers instead of 32-bit integers if the data are sure to fit into the smaller data size. The code for accessing 16-bit integers is slightly bigger than for accessing 32-bit integers, but the increase in code size is small compared to the decrease in data size for a large array. Instructions with 16-bit immediate data operands should be avoided in 32-bit and 64-bit mode because of the problem with decoding length-changing prefixes.

10.3 Reusing constants

If the same address or constant is used more than once then you may load it into a register. A `MOV` with a 4-byte immediate operand may sometimes be replaced by an arithmetic instruction if the value of the register before the `MOV` is known. Example:

```

; Example 10.11a, Loading 32-bit constants
mov [mem1], 200 ; 10 bytes
mov [mem2], 201 ; 10 bytes
mov eax, 100 ; 5 bytes
mov ebx, 150 ; 5 bytes

```

Replace with:

```

; Example 10.11b, Reuse constants
mov eax, 200 ; 5 bytes
mov [mem1], eax ; 5 bytes
inc eax ; 1 byte
mov [mem2], eax ; 5 bytes
sub eax, 101 ; 3 bytes
lea ebx, [eax+50] ; 3 bytes

```

10.4 Constants in 64-bit mode

In 64-bit mode, there are three ways to move a constant into a 64-bit register: with a 64-bit constant, with a 32-bit sign-extended constant, and with a 32-bit zero-extended constant:

```

; Example 10.12, Loading constants into 64-bit registers
mov rax, 123456789abcdef0h ; 10 bytes (64-bit constant)
mov rax, -100 ; 7 bytes (32-bit sign-extended)

```

```
mov eax, 100 ; 5 bytes (32-bit zero-extended)
```

Some assemblers use the sign-extended version rather than the shorter zero-extended version, even when the constant is within the range that fits into a zero-extended constant. You can force the assembler to use the zero-extended version by specifying a 32-bit destination register. Writes to a 32-bit register are always zero-extended into the 64-bit register.

10.5 Addresses and pointers in 64-bit mode

64-bit code should preferably use 64-bit register size for base and index in addresses, and 32-bit register size for everything else. Example:

```
; Example 10.13, 64-bit versus 32-bit registers
mov eax, [rbx + 4*rcx]
inc rcx
```

Here, you can save one byte by changing `inc rcx` to `inc ecx`. This will work because the value of the index register is certain to be less than 2^{32} . The base pointer however, may be bigger than 2^{32} in some systems so you can't replace `add rbx,4` by `add ebx,4`. Never use 32-bit registers as base or index inside the square brackets in 64-bit mode.

The rule of using 64-bit registers inside the square brackets of an indirect address and 32-bit registers everywhere else also applies to the `LEA` instruction. Examples:

```
; Example 10.14. LEA in 64-bit mode
lea eax, [ebx + ecx] ; 4 bytes (needs address size prefix)
lea eax, [rbx + rcx] ; 3 bytes (no prefix)
lea rax, [ebx + ecx] ; 5 bytes (address size and REX prefix)
lea rax, [rbx + rcx] ; 4 bytes (needs REX prefix)
```

The form with 32-bit destination and 64-bit address is preferred unless a 64-bit result is needed. This version takes no more time to execute than the version with 64-bit destination. The forms with address size prefix should never be used.

An array of 64-bit pointers in a 64-bit program can be made smaller by using 32-bit pointers relative to the image base or to some reference point. This makes the array of pointers smaller at the cost of making the code that uses the pointers bigger since it needs to add the image base. Whether this gives a net advantage depends on the size of the array. Example:

```
; Example 10.15a. Jump-table in 64-bit mode
.data
JumpTable DQ Label1, Label2, Label3, ..

.code
mov eax, [n] ; Index
lea rdx, JumpTable ; Address of jump table
jmp qword ptr [rdx+rax*8] ; Jump to JumpTable[n]
```

Implementation with image-relative pointers is available in Windows only:

```
; Example 10.15b. Image-relative jump-table in 64-bit Windows
.data
JumpTable DD imagerel(Label1), imagerel(Label2), imagerel(Label3), ..
extrn __ImageBase:byte

.code
mov eax, [n] ; Index
lea rdx, __ImageBase ; Image base
```

```

mov eax, [rdx+rax*4+imagerel(JumpTable)] ; Load image rel. address
add rax, rdx                             ; Add image base to address
jmp rax                                  ; Jump to computed address

```

The Gnu compiler for Mac OS X uses the jump table itself as a reference point:

```

; Example 10.15c. Self-relative jump-table in 64-bit Mac
.data
JumpTable DD Label1-JumpTable, Label2-JumpTable, Label3-JumpTable

.code
mov eax, [n] ; Index
lea rdx, JumpTable ; Table and reference point
movsxd rax, [rdx + rax*4] ; Load address relative to table
add rax, rdx ; Add table base to address
jmp rax ; Jump to computed address

```

The assembler may not be able to make self-relative references from the data segment to the code segment.

The shortest alternative is to use 32-bit absolute pointers. This method can be used only if there is certainty that all addresses are less than 2^{31} :

```

; Example 10.15d. 32-bit absolute jump table in 64-bit Linux
; Requires that addresses < 2^31
.data
JumpTable DD Label1, Label2, Label3, .. ; 32-bit addresses

.code
mov eax, [n] ; Index
mov eax, JumpTable[rax*4] ; Load 32-bit address
jmp rax ; Jump to zero-extended address

```

In example 10.15d, the address of `JumpTable` is a 32-bit relocatable address which is sign-extended to 64 bits. This works if the address is less than 2^{31} . The addresses of `Label1`, etc., are zero-extended, so this will work if the addresses are less than 2^{32} . The method of example 10.15d can be used if there is certainty that the image base plus the program size is less than 2^{31} . This will work in application programs in Linux and BSD and in some cases in Windows, but not in Mac OS X (see page 23).

It is even possible to replace the 64-bit or 32-bit pointers with 16-bit offsets relative to a suitable reference point:

```

; Example 10.15d. 16-bit offsets to a reference point
.data
JumpTable DW 0, Label2-Label1, Label3-Label1, ..

.code
mov eax, [n] ; Index
lea rdx, JumpTable ; Address of table (RIP-relative)
movsx rax, word ptr [rdx+rax*2] ; Sign-extend 16-bit offset
lea rdx, Label1 ; Use Label1 as reference point
add rax, rdx ; Add offset to reference point
jmp rax ; Jump to computed address

```

Example 10.15d uses `Label1` as a reference point. It works only if all labels are within the interval `Label1 ± 215`. The table contains the 16-bit offsets which are sign-extended and added to the reference point.

The examples above show different methods for storing code pointers. The same methods can be used for data pointers. A pointer can be stored as a 64-bit absolute address, a 32-bit

relative address, a 32-bit absolute address, or a 16-bit offset relative to a suitable reference point. The methods that use pointers relative to the image base or a reference point are only worth the extra code if there are many pointers. This is typically the case in large switch statements and in linked lists.

10.6 Making instructions longer for the sake of alignment

There are situations where it can be advantageous to reverse the advice of the previous paragraphs in order to make instructions longer. Most important is the case where a loop entry needs to be aligned (see p. 86). Rather than inserting `NOP`'s to align the loop entry label you may make the preceding instructions longer than their minimum lengths in such a way that the loop entry becomes properly aligned. The longer versions of the instructions do not take longer time to execute, so we can save the time it takes to execute the `NOP`'s.

The assembler will normally choose the shortest possible form of an instruction. It is often possible to choose a longer form of the same or an equivalent instruction. This can be done in several ways.

Use general form instead of short form of an instruction

The short forms of `INC`, `DEC`, `PUSH`, `POP`, `XCHG`, `ADD`, `MOV` do not have a mod-reg-r/m byte (see p. 24). The same instructions can be coded in the general form with a mod-reg-r/m byte.

Examples:

```
; Example 10.16. Making instructions longer
inc  eax                ; short form. 1 byte (in 32-bit mode only)
DB   0FFH, 0C0H        ; long form of INC EAX, 2 bytes

push ebx               ; short form. 1 byte
DB   0FFH, 0F3H        ; long form of PUSH EBX, 2 bytes
```

Use an equivalent instruction that is longer

Examples:

```
; Example 10.17. Making instructions longer
inc  eax                ; 1 byte (in 32-bit mode only)
add  eax, 1             ; 3 bytes replacement for INC EAX

mov  eax, ebx           ; 2 bytes
lea  eax, [ebx]         ; can be any length from 2 to 8 bytes, see below
```

Use 4-bytes immediate operand

Instructions with a sign-extended 8-bit immediate operand can be replaced by the version with a 32-bit immediate operand:

```
; Example 10.18. Making instructions longer
add  ebx, 1             ; 3 bytes. Uses sign-extended 8-bit operand

add  ebx, 9999          ; Use dummy constant too big for 8-bit operand
ORG  $ - 4              ; Go back 4 bytes (MASM syntax)
DD   1                  ; and overwrite the 9999 operand with a 1.
```

The above will encode `ADD EBX, 1` using 6 bytes of code.

Add zero displacement to pointer

An instruction with a pointer can have a displacement of 1 or 4 bytes in 32-bit or 64-bit mode (1 or 2 bytes in 16-bit mode). A dummy displacement of zero can be used for making the instruction longer:


```

; Example 10.19. Making instructions longer
mov  eax, [ebx]          ; 2 bytes

mov  eax, [ebx+1]       ; Add 1-byte displacement. Total length = 3
ORG  $ - 1              ; Go back one byte (MASM syntax)
DB   0                  ; and overwrite displacement with 0

mov  eax, [ebx+9999]    ; Add 4-byte displacement. Total length = 6
ORG  $ - 4              ; Go back 4 bytes (MASM syntax)
DD   0                  ; and overwrite displacement with 0

```

The same can be done with `LEA EAX, [EBX+0]` as a replacement for `MOV EAX, EBX`.

Use SIB byte

An instruction with a memory operand can have a SIB byte (see p. 24). A SIB byte can be added to an instruction that doesn't already have one to make the instruction one byte longer. A SIB byte cannot be used in 16-bit mode or in 64-bit mode with a RIP-relative address. Example:

```

; Example 10.20. Making instructions longer
mov  eax, [ebx]         ; Length = 2 bytes
DB   8BH, 04H, 23H     ; Same with SIB byte. Length = 3 bytes
DB   8BH, 44H, 23H, 00H ; With SIB byte and displacement. 4 bytes

```

Use prefixes

An easy way to make an instruction longer is to add unnecessary prefixes. All instructions with a memory operand can have a segment prefix. The DS segment prefix is rarely needed, but it can be added without changing the meaning of the instruction:

```

; Example 10.21. Making instructions longer
DB   3EH               ; DS segment prefix
mov  eax, [ebx]       ; prefix + instruction = 3 bytes

```

All instructions with a memory operand can have a segment prefix, including `LEA`. It is actually possible to add a segment prefix even to instructions without a memory operand. Such meaningless prefixes are simply ignored. But there is no absolute guarantee that the meaningless prefix will not have some meaning on future processors. For example, the P4 uses segment prefixes on branch instructions as branch prediction hints. The probability is very low, I would say, that segment prefixes will have any adverse effect on future processors for instructions that *could* have a memory operand, i.e. instructions with a mod-reg-r/m byte.

CS, DS, ES and SS segment prefixes have no effect in 64-bit mode, but they are still allowed, according to AMD64 Architecture Programmer's Manual, Volume 3: General-Purpose and System Instructions, 2003.

In 64-bit mode, you can also use an empty REX prefix to make instructions longer:

```

; Example 10.22. Making instructions longer
DB   40H               ; empty REX prefix
mov  eax, [rbx]       ; prefix + instruction = 3 bytes

```

Empty REX prefixes can safely be applied to almost all instructions in 64-bit mode that do not already have a REX prefix, except instructions that use `AH`, `BH`, `CH` or `DH`. REX prefixes cannot be used in 32-bit or 16-bit mode. A REX prefix must come after any other prefixes, and no instruction can have more than one REX prefix.

AMD's optimization manual recommends the use of up to three operand size prefixes (66H) as fillers. But this prefix can only be used on instructions that are not affected by this prefix,

i.e. `NOP` and x87 floating point instructions. Segment prefixes are more widely applicable and have the same effect - or rather lack of effect.

It is possible to add multiple identical prefixes to any instruction as long as the total instruction length does not exceed 15. For example, you can have an instruction with two or three DS segment prefixes. But instructions with multiple prefixes take extra time to decode on many processors. Do not use more than three prefixes on AMD processors, including any necessary prefixes. There is no limit to the number of prefixes that can be decoded efficiently on Intel Core2 and later processors, as long as the total instruction length is no more than 15 bytes, but earlier Intel processors can handle no more than one or two prefixes without penalty.

It is not a good idea to use address size prefixes as fillers because this may slow down instruction decoding.

Do not place dummy prefixes immediately before a jump label to align it:

```
; Example 10.23. Wrong way of making instructions longer
L1:  mov  ecx,1000
      DB  3EH          ; DS segment prefix. Wrong!
L2:  mov  eax,[esi]    ; Executed both with and without prefix
```

In this example, the `MOV EAX, [ESI]` instruction will be decoded with a DS segment prefix when we come from `L1`, but without the prefix when we come from `L2`. This works in principle, but some microprocessors remember where the instruction boundaries are, and such processors will be confused when the same instruction begins at two different locations. There may be a performance penalty for this.

Processors supporting the AVX instruction set use VEX prefixes, which are 2 or 3 bytes long. A 2-bytes VEX prefix can always be replaced by a 3-bytes VEX prefix. A VEX prefix can be preceded by segment prefixes but not by any other prefixes. No other prefix is allowed after the VEX prefix. Most instructions using XMM or YMM registers can have a VEX prefix. Do not mix YMM vector instructions with VEX prefix and XMM instructions without VEX prefix (see chapter 13.6). A few newer instructions on general purpose registers also use VEX prefix.

The AVX512 instruction set uses a 4-bytes prefix names EVEX. Instructions may be made longer by replacing a VEX prefix by an EVEX prefix.

It is recommended to check hand-coded instructions with a debugger or disassembler to make sure they are correct.

10.7 Using multi-byte NOPs for alignment

The multi-byte `NOP` instruction has the opcode `0F 1F` + a dummy memory operand. The length of the multi-byte `NOP` instruction can be adjusted by optionally adding 1 or 4 bytes of displacement and a SIB byte to the dummy memory operand and by adding one or more `66H` prefixes. An excessive number of prefixes can cause delay on older microprocessors, but at least two prefixes is acceptable on most processors. NOPs of any length up to 10 bytes can be constructed in this way with no more than two prefixes. If the processor can handle multiple prefixes without penalty then the length can be up to 15 bytes.

The multi-byte `NOP` is more efficient than the commonly used pseudo-NOPs such as `MOV EAX, EAX` or `LEA RAX, [RAX+0]`. The multi-byte `NOP` instruction is supported on all Intel P6 family processors and later, as well as AMD Athlon, K7 and later, i.e. almost all processors that support conditional moves.

The Sandy Bridge processor has a lower decode-rate for multi-byte NOPs than for other instructions, including single-byte NOPs with prefixes.

11 Optimizing memory access

Reading from the level-1 cache takes approximately 3 clock cycles. Reading from the level-2 cache takes in the order of magnitude of 10 clock cycles. Reading from main memory takes in the order of magnitude of 100 clock cycles. The access time is even longer if a DRAM page boundary is crossed, and extremely long if the memory area has been swapped to disk. I cannot give exact access times here because it depends on the hardware configuration and the figures keep changing thanks to the fast technological development.

However, it is obvious from these numbers that caching of code and data is extremely important for performance. If the code has many cache misses, and each cache miss costs more than a hundred clock cycles, then this can be a very serious bottleneck for the performance.

More advice on how to organize data for optimal caching are given in manual 1: "Optimizing software in C++". Processor-specific details are given in manual 3: "The microarchitecture of Intel, AMD and VIA CPUs" and in Intel's and AMD's software optimization manuals.

11.1 How caching works

A cache is a means of temporary storage that is closer to the microprocessor than the main memory. Data and code that is used often, or that is expected to be used soon, is stored in a cache so that it is accessed faster. Different microprocessors have one, two or three levels of cache. The level-1 cache is close to the microprocessor kernel and is accessed in just a few clock cycles. A bigger level-2 cache is placed on the same chip or at least in the same housing.

The level-1 data cache in the P4 processor, for example, can contain 8 kb of data. It is organized as 128 lines of 64 bytes each. The cache is 4-way set-associative. This means that the data from a particular memory address cannot be assigned to an arbitrary cache line, but only to one of four possible lines. The line length in this example is $2^6 = 64$. So each line must be aligned to an address divisible by 64. The least significant 6 bits, i.e. bit 0 - 5, of the memory address are used for addressing a byte within the 64 bytes of the cache line. As each set comprises 4 lines, there will be $128 / 4 = 32 = 2^5$ different sets. The next five bits, i.e. bits 6 - 10, of a memory address will therefore select between these 32 sets. The remaining bits can have any value. The conclusion of this mathematical exercise is that if bits 6 - 10 of two memory addresses are equal, then they will be cached in the same set of cache lines. The 64-byte memory blocks that contend for the same set of cache lines are spaced $2^{11} = 2048$ bytes apart. No more than 4 such addresses can be cached at the same time.

Let me illustrate this by the following piece of code, where `EDI` holds an address divisible by 64:

```
; Example 11.1. Level-1 cache contention
again:  mov  eax, [edi]
        mov  ebx, [edi + 0804h]
        mov  ecx, [edi + 1000h]
        mov  edx, [edi + 5008h]
        mov  esi, [edi + 583ch]
        sub  ebp, 1
        jnz  again
```

The five addresses used here all have the same set-value because the differences between the addresses with the lower 6 bits truncated are multiples of $2048 = 800H$. This loop will perform poorly because at the time we read `ESI`, there is no free cache line with the proper set-value, so the processor takes the least recently used of the four possible cache lines - that is the one which was used for `EAX` - and fills it with the data from `[EDI+5800H]` to `[EDI+583FH]` and reads `ESI`. Next, when reading `EAX`, we find that the cache line that held the value for `EAX` has now been discarded, so the processor takes the least recently used line, which is the one holding the `EBX` value, and so on. We have nothing but cache misses, but if the 5th line is changed to `MOV ESI, [EDI + 5840H]` then we have crossed a 64 byte boundary, so that we do not have the same set-value as in the first four lines, and there will be no problem assigning a cache line to each of the five addresses.

The cache sizes, cache line sizes, and set associativity on different microprocessors are listed in manual 4: "Instruction tables". The performance penalty for level-1 cache line contention can be quite considerable on older microprocessors, but on newer processors such as the P4 we lose only a few clock cycles because the data are likely to be prefetched from the level-2 cache, which is accessed quite fast through a full-speed 256 bit data bus. The improved efficiency of the level-2 cache in the P4 compensates for the smaller level-1 data cache.

The cache lines are always aligned to physical addresses divisible by the cache line size (in the above example 64). When we have read a byte at an address divisible by 64, then the next 63 bytes will be cached as well, and can be read or written to at almost no extra cost. We can take advantage of this by arranging data items that are used near each other together into aligned blocks of 64 bytes of memory.

The level-1 code cache works in the same way as the data cache, except on processors with a trace cache (see below). The level-2 cache is usually shared between code and data.

11.2 Trace cache

The Intel P4 and P4E processors have a trace cache instead of a code cache. The trace cache stores the code after it has been translated to micro-operations (μ ops) while a normal code cache stores the raw code without translation. The trace cache removes the bottleneck of instruction decoding and attempts to store the code in the order in which it is executed rather than the order in which it occurs in memory. The main disadvantage of a trace cache is that the code takes more space in a trace cache than in a code cache. Later Intel processors do not have a trace cache.

11.3 μ op cache

The Intel Sandy Bridge and later processors have a traditional code cache before the decoders and a μ op cache after the decoders. The μ op cache is a big advantage because instruction decoding is often a bottleneck on Intel processors. The capacity of the μ op cache is much smaller than the capacity of the level-1 code cache. The μ op cache is such a critical resource that the programmer should economize its use and make sure the critical part of the code fits into the μ op cache. One way to economize trace cache use is to avoid loop unrolling.

Most AMD processors have instruction boundaries marked in the code cache. This relieves the critical bottleneck of instruction length decoding and can therefore be seen as an alternative to a μ op cache. I do not know why this technique is not used in current Intel processors.

11.4 Alignment of data

All data in RAM should be aligned at addresses divisible by a power of 2 according to this scheme:

Operand size	Alignment
1 (byte)	1
2 (word)	2
4 (dword)	4
6 (fword)	8
8 (qword)	8
10 (tbyte)	16
16 (oword, xmmword)	16
32 (ymmword)	32

Table 11.1. Preferred data alignment

The following example illustrates alignment of static data.

```
; Example 11.2, alignment of static data
.data
A    DQ  ?, ?           ; A is aligned by 16
B    DB  32 DUP (?)
C    DD  ?
D    DW  ?
ALIGN 16                ; E must be aligned by 16
E    DQ  ?, ?

.code
    movdqa  xmm0, [A]
    movdqa  [E], xmm0
```

In the above example, **A**, **B** and **C** all start at addresses divisible by 16. **D** starts at an address divisible by 4, which is more than sufficient because it only needs to be aligned by 2. An alignment directive must be inserted before **E** because the address after **D** is not divisible by 16 as required by the **MOVDQA** instruction. Alternatively, **E** could be placed after **A** or **B** to make it aligned.

Most microprocessors have a penalty of several clock cycles when accessing misaligned data that cross a cache line boundary. AMD K8 and earlier processors also have a penalty when misaligned data cross an 8-byte boundary, and some early Intel processors (P1, PMMX) have a penalty for misaligned data crossing a 4-byte boundary. Most processors have a penalty when reading a misaligned operand shortly after writing to the same operand.

Most XMM instructions that read or write 16-byte memory operands require that the operand is aligned by 16. Instructions that accept unaligned 16-byte operands can be quite inefficient on older processors. However, this restriction is largely relieved with the AVX instruction set. AVX instructions do not require alignment of memory operands, except for the explicitly aligned instructions. Processors that support the AVX instruction set generally handle misaligned memory operands very efficiently.

Aligning data stored on the stack can be done by rounding down the value of the stack pointer. The old value of the stack pointer must of course be restored before returning. A function with aligned local data may look like this:

```
; Example 11.3a, Explicit alignment of stack (32-bit Windows)
_FuncWithAlign PROC NEAR
    push    ebp                    ; Prolog code
```

```

        mov     ebp, esp           ; Save value of stack pointer
        sub     esp, LocalSpace    ; Allocate space for local data
        and     esp, 0FFFFFFF0H    ; (= -16) Align ESP by 16
        mov     eax, [ebp+8]       ; Function parameter = array
        movdqu xmm0, [eax]        ; Load from unaligned array
        movdqa [esp], xmm0        ; Store in aligned space
        call    SomeOtherFunction ; Call some other function
        ...
        mov     esp, ebp          ; Epilog code. Restore esp
        pop     ebp              ; Restore ebp
        ret


```

This function uses `EBP` to address function parameters, and `ESP` to address aligned local data. `ESP` is rounded down to the nearest value divisible by 16 simply by `AND`'ing it with -16. You can align the stack by any power of 2 by `AND`'ing the stack pointer with the negative value.

All 64-bit operating systems, and some 32-bit operating systems (Mac OS, optional in Linux) keep the stack aligned by 16 at all `CALL` instructions. This eliminates the need for the `AND` instruction and the frame pointer. It is necessary to propagate this alignment from one `CALL` instruction to the next by proper adjustment of the stack pointer in each function:

```

; Example 11.3b, Propagate stack alignment (32-bit Linux)
FuncWithAlign PROC NEAR
        sub     esp, 28           ; Allocate space for local data
        mov     eax, [esp+32]     ; Function parameter = array
        movdqu xmm0, [eax]       ; Load from unaligned array
        movdqa [esp], xmm0       ; Store in aligned space
        call    SomeOtherFunction ; This call must be aligned
        ...
        ret
FuncWithAlign ENDP

```

In example 11.3b we are relying on the fact that the stack pointer is aligned by 16 before the call to `FuncWithAlign`. The `CALL FuncWithAlign` instruction (not shown here) has pushed the return address on the stack, whereby 4 is subtracted from the stack pointer. We have to subtract another 12 from the stack pointer before it is aligned by 16 again. The 12 is not enough for the local variable that needs 16 bytes so we have to subtract 28 to keep the stack pointer aligned by 16. $4 \text{ for the return address} + 28 = 32$, which is divisible by 16. Remember to include any `PUSH` instructions in the calculation. If, for example, there had been one `PUSH` instruction in the function prolog then we would subtract 24 from `ESP` to keep it aligned by 16. Example 11.3b needs to align the stack for two reasons. The `MOVDQA` instruction needs an aligned operand, and the `CALL SomeOtherFunction` needs to be aligned in order to propagate the correct stack alignment to `SomeOtherFunction`.

The principle is the same in 64-bit mode:

```

; Example 11.3c, Propagate stack alignment (64-bit Linux)
FuncWithAlign PROC
        sub     rsp, 24           ; Allocate space for local data
        mov     rax, rdi         ; Function parameter rdi = array
        movdqu xmm0, [rax]       ; Load from unaligned array
        movdqa [rsp], xmm0       ; Store in aligned space
        call    SomeOtherFunction ; This call must be aligned
        ...
        ret
FuncWithAlign ENDP

```

Here, the return address takes 8 bytes and we subtract 24 from `RSP`, so that the total amount subtracted is $8 + 24 = 32$, which is divisible by 16. Every `PUSH` instruction subtracts 8 from `RSP` in 64-bit mode.

Alignment issues are also important when mixing C++ and assembly language. Consider this C++ structure:

```
// Example 11.4a, C++ structure
struct abcd {
    unsigned char a;    // takes 1 byte storage
    int b;              // 4 bytes storage
    short int c;       // 2 bytes storage
    double d;          // 8 bytes storage
} x;
```

Most compilers (but not all) will insert three empty bytes between `a` and `b`, and six empty bytes between `c` and `d` in order to give each element its natural alignment. You may change the structure definition to:

```
// Example 11.4b, C++ structure
struct abcd {
    double d;          // 8 bytes storage
    int b;             // 4 bytes storage
    short int c;       // 2 bytes storage
    unsigned char a;   // 1 byte storage
    char unused[1];    // fill up to 16 bytes
} x;
```

This has several advantages: The implementation is identical on compilers with and without automatic alignment, the structure is easily translated to assembly, all members are properly aligned, and there are fewer unused bytes. The extra unused character in the end makes sure that all elements in an array of structures are properly aligned.

See page 159 for how to move unaligned blocks of data efficiently.

11.5 Alignment of code

Most microprocessors fetch code in aligned 16-byte or 32-byte blocks. If an important subroutine entry or jump label happens to be near the end of a 16-byte block then the microprocessor will only get a few useful bytes of code when fetching that block of code. It may have to fetch the next 16 bytes too before it can decode the first instructions after the label. This can be avoided by aligning important subroutine entries and loop entries by 16. Aligning by 8 will assure that at least 8 bytes of code can be loaded with the first instruction fetch, which may be sufficient if the instructions are small. We may align subroutine entries by the cache line size (typically 64 bytes) if the subroutine is part of a critical hot spot and the preceding code is unlikely to be executed in the same context.

A disadvantage of code alignment is that some cache space is lost to empty spaces before the aligned code entries.

In most cases, the effect of code alignment is minimal. So my recommendation is to align code only in the most critical cases like critical subroutines and critical innermost loops.

Aligning a subroutine entry is as simple as putting as many `NOP`'s as needed before the subroutine entry to make the address divisible by 8, 16, 32 or 64, as desired. The assembler does this with the `ALIGN` directive. The `NOP`'s that are inserted will not slow down the performance because they are never executed.

It is more problematic to align a loop entry because the preceding code is also executed. It may require up to 15 `NOP`'s to align a loop entry by 16. These `NOP`'s will be executed before the loop is entered and this will cost processor time. It is more efficient to use longer instructions that do nothing than to use a lot of single-byte `NOP`'s. The best modern assemblers will do just that and use instructions like `MOV EAX,EAX` and `LEA EBX,[EBX+00000000H]` to fill the space before an `ALIGN nn` statement. The `LEA` instruction is particularly flexible. It is possible to give an instruction like `LEA EBX,[EBX]` any length from 2 to 8 by variously adding a SIB byte, a segment prefix and an offset of one or four bytes of zero. Don't use a two-byte offset in 32-bit mode as this will slow down decoding. And don't use more than one prefix because this will slow down decoding on older Intel processors.

Using pseudo-NOPs such as `MOV RAX,RAX` and `LEA RBX,[RBX+0]` as fillers has the disadvantage that it has a false dependence on the register, and it uses execution resources. It is better to use the multi-byte `NOP` instruction which can be adjusted to the desired length. The multi-byte `NOP` instruction is available in all processors that support conditional move instructions, i.e. Intel PPro, P2, AMD Athlon, K7 and later.

An alternative way of aligning a loop entry is to code the preceding instructions in ways that are longer than necessary. In most cases, this will not add to the execution time, but possibly to the instruction fetch time. See page 79 for details on how to code instructions in longer versions.

The most efficient way to align an innermost loop is to move the preceding subroutine entry. The following example shows how to do this:

```

; Example 11.5, Aligning loop entry
ALIGN 16
X1 = 9                                ; Replace value with whatever X2 is.
DB (-X1 AND 0FH) DUP (90H)           ; Insert calculated number of NOP's.
INNERFUNCTION PROC NEAR              ; This address will be adjusted
    mov  eax,[esp+4]
    mov  ecx,10000
INNERLOOP:                            ; Loop entry will be aligned by 16
X2 = INNERLOOP - INNERFUNCTION       ; This value is needed above
.ERRNZ X1 NE X2                      ; Make error message if X1 != X2
    ; ...
    sub  ecx, 1
    jnz  INNERLOOP
    ret
INNERFUNCTION ENDP

```

This code looks awkward because most assemblers cannot resolve the forward reference to a difference between two labels in this case. `X2` is the distance from `INNERFUNCTION` to `INNERLOOP`. `X1` must be manually adjusted to the same value as `X2` by looking at the assembly listing. The `.ERRNZ` line will generate an error message from the assembler if `X1` and `X2` are different. The number of bytes to insert before `INNERFUNCTION` in order to align `INNERLOOP` by 16 is $((-X1) \bmod 16)$. The modulo 16 is calculated here by AND'ing with 15. The `DB` line calculates this value and inserts the appropriate number of `NOP`'s with opcode `90H`.

`INNERLOOP` is aligned here by misaligning `INNERFUNCTION`. The cost of misaligning `INNERFUNCTION` is negligible compared to the gain by aligning `INNERLOOP` because the latter label is jumped to 10000 times as often.

11.6 Organizing data for improved caching

The caching of data works best if critical data are contained in a small contiguous area of memory. The best place to store critical data is on the stack. The stack space that is allocated by a subroutine is released when the subroutine returns. The same stack space is then reused by the next subroutine that is called. Reusing the same memory area gives the optimal caching. Variables should therefore be stored on the stack rather than in the data segment when possible.

Floating point constants are typically stored in the data segment. This is a problem because it is difficult to keep the constants used by different subroutines contiguous. An alternative is to store the constants in the code. In 64-bit mode it is possible to load a double precision constant via an integer register to avoid using the data segment. Example:

```
; Example 11.6a. Loading double constant from data segment
.data
C1 DQ SomeConstant

.code
movsd xmm0, C1
```

This can be changed to:

```
; Example 11.6b. Loading double constant from register (64-bit mode)
.code
mov rax, SomeConstant
movq xmm0, rax ; Some assemblers use 'movd' for this instruction
```

See page 124 for various methods of generating constants without loading data from memory. This is advantageous if data cache misses are expected, but not if data caching is efficient.

Constant tables are typically stored in the data segment. It may be advantageous to copy such a table from the data segment to the stack outside the innermost loop if this can improve caching inside the loop.

Static variables are variables that are preserved from one function call to the next. Such variables are typically stored in the data segment. It may be a better alternative to encapsulate the function together with its data in a class. The class may be declared in the C++ part of the code even when the member function is coded in assembly.

Data structures that are too large for the data cache should preferably be accessed in a linear, forward way for optimal prefetching and caching. Non-sequential access can cause cache line contentions if the stride is a high power of 2. Manual 1: "Optimizing software in C++" contains examples of how to avoid access strides that are high powers of 2.

11.7 Organizing code for improved caching

The caching of code works best if the critical part of the code is contained within a contiguous area of memory no bigger than the code cache. Avoid scattering critical subroutines around at random memory addresses. Rarely accessed code such as error handling routines should be kept separate from the critical hot spot code.

It may be useful to split the code segment into different segments for different parts of the code. For example, you may make a hot code segment for the code that is executed most often and a cold code segment for code that is not speed-critical.

Alternatively, you may control the order in which modules are linked, so that modules that are used in the same part of the program are linked at addresses near each other.

Dynamic linking of function libraries (DLL's or shared objects) makes code caching less efficient. Dynamic link libraries are typically loaded at round memory addresses. This can cause cache contentions if the distances between multiple DLL's are divisible by high powers of 2.

11.8 Cache control instructions

Memory writes are more expensive than reads when cache misses occur in a write-back cache. A whole cache line has to be read from memory, modified, and written back in case of a cache miss. This can be avoided by using the non-temporal write instructions `MOVNTI`, `MOVNTQ`, `MOVNTDQ`, `MOVNTPD`, `MOVNTPS`. These instructions should be used when writing to a memory location that is unlikely to be cached and unlikely to be read from again before the would-be cache line is evicted. As a rule of thumb, it can be recommended to use non-temporal writes only when writing a memory block that is bigger than half the size of the largest-level cache.

Explicit data prefetching with the `PREFETCH` instructions can sometimes improve cache performance, but in most cases the automatic prefetching is sufficient.

12 Loops

The critical hot spot of a CPU-intensive program is almost always a loop. The clock frequency of modern computers is so high that even the most time-consuming instructions, cache misses and inefficient exceptions are finished in a fraction of a microsecond. The delay caused by inefficient code is only noticeable when repeated millions of times. Such high repeat counts are likely to be seen only in the innermost level of a series of nested loops. The things that can be done to improve the performance of loops is discussed in this chapter.

12.1 Minimize loop overhead

The loop overhead is the instructions needed for jumping back to the beginning of the loop and to determine when to exit the loop. Optimizing these instructions is a fairly general technique that can be applied in many situations. Optimizing the loop overhead is not needed, however, if some other bottleneck is limiting the speed. See page 93ff for a description of possible bottlenecks in a loop.

A typical loop in C++ may look like this:

```
// Example 12.1a. Typical for-loop in C++
for (int i = 0; i < n; i++) {
    // (loop body)
}
```

Without optimization, the assembly implementation will look like this:

```
; Example 12.1b. For-loop, not optimized
    mov  ecx, n          ; Load n
    xor  eax, eax       ; i = 0
LoopTop:
    cmp  eax, ecx       ; i < n
    jge  LoopEnd       ; Exit when i >= n
    ; (loop body)     ; Loop body goes here
    add  eax, 1        ; i++
    jmp  LoopTop       ; Jump back
LoopEnd:
```

It may be unwise to use the `inc` instruction for adding 1 to the loop counter. The `inc` instruction has a problem with writing to only part of the `flags` register, which makes it less efficient than the `add` instruction on P4 processors and may cause false dependences on other processors.

The most important problem with the loop in example 12.1b is that there are two jump instructions. We can eliminate one jump from the loop by putting the branch instruction in the end:

```

; Example 12.1c. For-loop with branch in the end
mov ecx, n          ; Load n
test ecx, ecx       ; Test n
jng LoopEnd         ; Skip if n <= 0
xor eax, eax        ; i = 0
LoopTop:
; (loop body)      ; Loop body goes here
add eax, 1         ; i++
cmp eax, ecx       ; i < n
jl LoopTop         ; Loop back if i < n
LoopEnd:

```

Now we have got rid of the unconditional jump instruction in the loop by putting the loop exit branch in the end. We have to put an extra check before the loop to cover the case where the loop should run zero times. Without this check, the loop would run one time when `n = 0`.

The method of putting the loop exit branch in the end can even be used for complicated loop structures that have the exit condition in the middle. Consider a C++ loop with the exit condition in the middle:

```

// Example 12.2a. C++ loop with exit in the middle
int i = 0;
while (true) {
    FuncA();           // Upper loop body
    if (++i >= n) break; // Exit condition here
    FuncB();           // Lower loop body
}

```

This can be implemented in assembly by reorganizing the loop so that the exit comes in the end and the entry comes in the middle:

```

; Example 12.2b. Assembly loop with entry in the middle
xor eax, eax          ; i = 0
jmp LoopEntry         ; Jump into middle of loop
LoopTop:
    call FuncB         ; Lower loop body comes first
LoopEntry:
    call FuncA         ; Upper loop body comes last
    add eax, 1
    cmp eax, n
    jge LoopTop       ; Exit condition in the end

```

The `cmp` instruction in example 12.1c and 12.2b can be eliminated if the counter ends at zero because we can rely on the `add` instruction for setting the zero flag. This can be done by counting down from `n` to zero rather counting up from zero to `n`:

```

; Example 12.3. Loop with counting down
mov ecx, n           ; Load n
test ecx, ecx        ; Test n
jng LoopEnd         ; Skip if n <= 0
LoopTop:

```

```

        ; (loop body)          ; Loop body goes here
        sub  ecx, 1            ; n--
        jnz  LoopTop          ; Loop back if not zero
LoopEnd:

```

Now the loop overhead is reduced to just two instructions, which is the best possible. The `jecxz` and `loop` instructions should be avoided because they are less efficient.

The solution in example 12.3 is not good if `i` is needed inside the loop, for example for an array index. The following example adds 1 to all elements in an integer array:

```

; Example 12.4a. For-loop with array
mov  ecx, n          ; Load n
test ecx, ecx        ; Test n
jng  LoopEnd        ; Skip if n <= 0
xor  eax, eax        ; i = 0
lea  esi, Array      ; Pointer to an array
LoopTop:
; Loop body: Add 1 to all elements in Array:
add  dword ptr [esi+4*eax], 1
add  eax, 1          ; i++
cmp  eax, ecx        ; i < n
jl   LoopTop         ; Loop back if i < n
LoopEnd:

```

The address of the start of the array is in `esi` and the index in `eax`. The index is multiplied by 4 in the address calculation because the size of each array element is 4 bytes.

It is possible to modify example 12.4a to make it count down rather than up, but the data cache is optimized for accessing data forwards, not backwards. Therefore it is better to count up through negative values from `-n` to zero. This is possible by making a pointer to the end of the array and using a negative offset from the end of the array:

```

; Example 12.4b. For-loop with negative index from end of array
mov  ecx, n          ; Load n
lea  esi, Array[4*ecx] ; Point to end of array
neg  ecx              ; i = -n
jnl  LoopEnd         ; Skip if (-n) >= 0
LoopTop:
; Loop body: Add 1 to all elements in Array:
add  dword ptr [esi+4*ecx], 1
add  ecx, 1          ; i++
js   LoopTop         ; Loop back if i < 0
LoopEnd:

```

A slightly different solution is to multiply `n` by 4 and count from `-4*n` to zero:

```

; Example 12.4c. For-loop with neg. index multiplied by element size
mov  ecx, n          ; Load n
shl  ecx, 2          ; n * 4
jng  LoopEnd        ; Skip if (4*n) <= 0
lea  esi, Array[ecx] ; Point to end of array
neg  ecx              ; i = -4*n
LoopTop:
; Loop body: Add 1 to all elements in Array:
add  dword ptr [esi+ecx], 1
add  ecx, 4          ; i += 4
js   LoopTop         ; Loop back if i < 0
LoopEnd:

```

There is no difference in speed between example 12.4b and 12.4c, but the latter method is useful if the size of the array elements is not 1, 2, 4 or 8 so that we cannot use the scaled index addressing.

The loop counter should always be an integer because floating point compare instructions are less efficient than integer compare instructions, even with the SSE2 instruction set. Some loops have a floating point exit condition by nature. A well-known example is a Taylor expansion which is ended when the terms become sufficiently small. It may be useful in such cases to always use the worst-case maximum repeat count (see page 106). The cost of repeating the loop more times than necessary is often less than what is saved by avoiding the calculation of the exit condition in the loop and using an integer counter as loop control. A further advantage of this method is that the loop exit branch becomes more predictable. Even when the loop exit branch is mispredicted, the cost of the misprediction is smaller with an integer counter because the integer instructions are likely to be executed way ahead of the slower floating point instructions so that the misprediction can be resolved much earlier.

12.2 Induction variables

If the floating point value of the loop counter is needed for some other purpose then it is better to have both an integer counter and a floating point counter. Consider the example of a loop that makes a sine table:

```
// Example 12.5a. C++ loop to make sine table
double Table[100]; int i;
for (i = 0; i < 100; i++) Table[i] = sin(0.01 * i);
```

This can be changed to:

```
// Example 12.5b. C++ loop to make sine table
double Table[100], x; int i;
for (i = 0, x = 0.; i < 100; i++, x += 0.01) Table[i] = sin(x);
```

Here we have an integer counter `i` for the loop control and array index, and a floating point counter `x` for replacing `0.01*i`. The calculation of `x` by adding `0.01` to the previous value is much faster than converting `i` to floating point and multiplying by `0.01`. The assembly implementation looks like this:

```
; Example 12.5c. Assembly loop to make sine table
.data
align 8
M0_01 dq 0.01 ; Define constant 0.01
_Table dq 100 dup (?) ; Define Table

.code
xor eax, eax ; i = 0
fld M0_01 ; Load constant 0.01
fldz ; x = 0.
LoopTop:
fld st(0) ; Copy x
fsin ; sin(x)
fstp _Table[eax*8] ; Table[i] = sin(x)
fadd st(0), st(1) ; x += 0.01
add eax, 1 ; i++
cmp eax, 100 ; i < n
jb LoopTop ; Loop
fcompp ; Discard st(0) and st(1)
```

There is no need to optimize the loop overhead in this case because the speed is limited by the floating point calculations. Another possible optimization is to use a library function that

calculates two or four sine values at a time in an XMM register. Such functions can be found in libraries from Intel and AMD, see manual 1: "Optimizing software in C++".

The method of calculating x in example 12.5c by adding 0.01 to the previous value rather than multiplying i by 0.01 is commonly known as using an induction variable. Induction variables are useful whenever it is easier to calculate some value in a loop from the previous value than to calculate it from the loop counter. An induction variable can be integer or floating point. The most common use of induction variables is for calculating array addresses, as in example 12.4c, but induction variables can also be used for more complex expressions. Any function that is an n 'th degree polynomial of the loop counter can be calculated with just n additions and no multiplications by the use of n induction variables. See manual 1: "Optimizing software in C++" for an example.

The calculation of a function of the loop counter by the induction variable method makes a loop-carried dependency chain. If this chain is too long then it may be advantageous to calculate each value from a value that is two or more iterations back, as in the Taylor expansion example on page 109.

12.3 Move loop-invariant code

The calculation of any expression that doesn't change inside the loop should be moved out of the loop.

The same applies to if-else branches with a condition that doesn't change inside the loop. Such a branch can be avoided by making two loops, one for each branch, and making a branch that chooses between the two loops.

12.4 Find the bottlenecks

There are a number of possible bottlenecks that can limit the performance of a loop. The most likely bottlenecks are:

- Cache misses and cache contentions
- Loop-carried dependency chains
- Instruction fetching
- Instruction decoding
- Instruction retirement
- Register read stalls
- Execution port throughput
- Execution unit throughput
- Suboptimal reordering and scheduling of μ ops
- Branch mispredictions
- Floating point exceptions and denormal operands

If one particular bottleneck is limiting the performance then it doesn't help to optimize anything else. It is therefore very important to analyze the loop carefully in order to identify

which bottleneck is the limiting factor. Only when the narrowest bottleneck has successfully been removed does it make sense to look at the next bottleneck. The various bottlenecks are discussed in the following sections. All these details are processor-specific. See manual 3: "The microarchitecture of Intel, AMD and VIA CPUs" for explanation of the processor-specific details mentioned below.

Sometimes a lot of experimentation is needed in order to find and fix the limiting bottleneck. It is important to remember that a solution found by experimentation is CPU-specific and unlikely to be optimal on CPUs with a different microarchitecture.

12.5 Instruction fetch, decoding and retirement in a loop

The details about how to optimize instruction fetching, decoding, retirement, etc. is processor-specific, as mentioned on page 63.

If code fetching is a bottleneck then it is necessary to align the loop entry by 16 and reduce instruction sizes in order to minimize the number of 16-byte boundaries in the loop.

If instruction decoding is a bottleneck then it is necessary to observe the CPU-specific rules about decoding patterns. Avoid complex instructions such as `LOOP`, `JECXZ`, `LODS`, `STOS`, etc.

Register read stalls can occur in some Intel processors. If register read stalls are likely to occur then it can be necessary to reorder instructions or to refresh registers that are read multiple times but not written to inside the loop.

Jumps and calls inside the loop should be avoided because it delays code fetching. Subroutines that are called inside the loop should be inlined if possible.

Branches inside the loop should be avoided if possible because they interfere with the prediction of the loop exit branch. However, branches should not be replaced by conditional moves if this increases the length of a loop-carried dependency chain.

If instruction retirement is a bottleneck then it may be preferred to make the total number of μ ops inside the loop a multiple of the retirement rate (4 for Core2, 3 for all other processors). Some experimentation is needed in this case.

12.6 Distribute μ ops evenly between execution units

Manual 4: "Instruction tables" contains tables of how many μ ops each instruction generates and which execution port each μ op goes to. This information is CPU-specific, of course. It is necessary to calculate how many μ ops the loop generates in total and how many of these μ ops go to each execution port and each execution unit.

The time it takes to retire all instructions in the loop is the total number of μ ops divided by the retirement rate. The retirement rate is 4 μ ops per clock cycle for Core2 processors and 3 for all other processors. The calculated retirement time is the minimum execution time for the loop. This value is useful as a norm which other potential bottlenecks can be compared against.

The throughput for an execution port is 1 μ op per clock cycle on most Intel processors. The load on a particular execution port is calculated as the number of μ ops that goes to this port divided by the throughput of the port. If this value exceeds the retirement time as calculated above, then this particular execution port is likely to be a bottleneck. AMD processors do not have execution ports, but they have three pipelines with similar throughputs.

There may be more than one execution unit on each execution port on Intel processors. Most execution units have the same throughput as the execution port. If this is the case

then the execution unit cannot be a narrower bottleneck than the execution port. But an execution unit can be a bottleneck in the following situations: (1) if the throughput of the execution unit is lower than the throughput of the execution port, e.g. for multiplication and division; (2) if the execution unit is accessible through more than one execution port, e.g. floating point addition on PM; and (3) on AMD processors that have no execution ports.

The load on a particular execution unit is calculated as the total number of μ ops going to that execution unit multiplied by the reciprocal throughput for that unit. If this value exceeds the retirement time as calculated above, then this particular execution unit is likely to be a bottleneck.

12.7 An example of analysis for bottlenecks on PM

The way to do these calculations is illustrated in the following example, which is the so-called DAXPY algorithm used in linear algebra:

```
// Example 12.6a. C++ code for DAXPY algorithm
int i;  const int n = 100;
double X[n];  double Y[n];  double DA;
for (i = 0; i < n; i++)  Y[i] = Y[i] - DA * X[i];
```

The following implementation is for a processor with the SSE2 instruction set in 32-bit mode, assuming that x and y are aligned by 16:

```
; Example 12.6b. DAXPY algorithm, 32-bit mode
n    = 100                ; Define constant n (even and positive)
mov  ecx, n * 8          ; Load n * sizeof(double)
xor  eax, eax            ; i = 0
lea  esi, [X]            ; X must be aligned by 16
lea  edi, [Y]            ; Y must be aligned by 16
movsd xmm2, [DA]         ; Load DA
shufpd xmm2, xmm2, 0     ; Get DA into both qwords of xmm2
; This loop does 2 DAXPY calculations per iteration, using vectors:
L1: movapd xmm1, [esi+eax] ; X[i], X[i+1]
    mulpd  xmm1, xmm2      ; X[i] * DA, X[i+1] * DA
    movapd xmm0, [edi+eax] ; Y[i], Y[i+1]
    subpd  xmm0, xmm1      ; Y[i]-X[i]*DA, Y[i+1]-X[i+1]*DA
    movapd [edi+eax], xmm0 ; Store result
    add  eax, 16           ; Add size of two elements to index
    cmp  eax, ecx         ; Compare with n*8
    jlt  L1               ; Loop back
```

Now let's analyze this code for bottlenecks on a Pentium M processor, assuming that there are no cache misses. The CPU-specific details that I am referring to are explained in manual 3: "The microarchitecture of Intel, AMD and VIA CPUs".

We are only interested in the loop, i.e. the code after `L1`. We need to list the μ op breakdown for all instructions in the loop, using the table in manual 4: "Instruction tables". The list looks as follows:

Instruction	μ ops fused	μ ops for each execution port						execution units	
		port 0	port 1	port 0 or 1	port 2	port 3	port 4	FADD	FMUL
<code>movapd xmm1, [esi+eax]</code>	2				2				
<code>mulpd xmm1, xmm2</code>	2	2							2
<code>movapd xmm0, [edi+eax]</code>	2				2				
<code>subpd xmm0, xmm1</code>	2			2				2	
<code>movapd [edi+eax], xmm0</code>	2					2	2		

<code>add eax, 16</code>	1			1					
<code>cmp eax, ecx</code>	1			1					
<code>jl L1</code>	1		1						
Total	13	2	1	4	4	2	2	2	2

Table 12.1. Total μ ops for DAXPY loop on Pentium M

The total number of μ ops going to all the ports is 15. The 4 μ ops from `movapd [edi+eax],xmm0` are fused into 2 μ ops so the total number of μ ops in the fused domain is 13. The total retirement time is 13 μ ops / 3 μ ops per clock cycle = 4.33 clock cycles.

Now, we will calculate the number of μ ops going to each port. There are 2 μ ops for port 0, 1 for port 1, and 4 which can go to either port 0 or port 1. This totals 7 μ ops for port 0 and port 1 combined so that each of these ports will get 3.5 μ ops on average per iteration. Each port has a throughput of 1 μ op per clock cycle so the total load corresponds to 3.5 clock cycles. This is less than the 4.33 clock cycles for retirement, so port 0 and 1 will not be bottlenecks. Port 2 receives 4 μ ops per clock cycle so it is close to being saturated. Port 3 and 4 receive only 2 μ ops each.

The next analysis concerns the execution units. The FADD unit has a throughput of 1 μ op per clock and it can receive μ ops from both port 0 and 1. The total load is 2 μ ops / 1 μ op per clock = 2 clocks. Thus the FADD unit is far from saturated. The FMUL unit has a throughput of 0.5 μ op per clock and it can receive μ ops only from port 0. The total load is 2 μ ops / 0.5 μ op per clock = 4 clocks. Thus the FMUL unit is close to being saturated.

There is a dependency chain in the loop. The latencies are: 2 for memory read, 5 for multiplication, 3 for subtraction, and 3 for memory write, which totals 13 clock cycles. This is three times as much as the retirement time but it is not a loop-carried dependence because the results from each iteration are saved to memory and not reused in the next iteration. The out-of-order execution mechanism and pipelining makes it possible that each calculation can start before the preceding calculation is finished. The only loop-carried dependency chain is `add eax,16` which has a latency of only 1.

The time needed for instruction fetching can be calculated from the lengths of the instructions. The total length of the eight instructions in the loop is 30 bytes. The processor needs to fetch two 16-byte blocks if the loop entry is aligned by 16, or at most three 16-byte blocks in the worst case. Instruction fetching is therefore not a bottleneck.

Instruction decoding in the PM processor follows the 4-1-1 pattern. The pattern of (fused) μ ops for each instruction in the loop in example 12.6b is 2-2-2-2-2-1-1-1. This is not optimal, and it will take 6 clock cycles to decode. This is more than the retirement time, so we can conclude that instruction decoding is the bottleneck in example 12.6b. The total execution time is 6 clock cycles per iteration or 3 clock cycles per calculated `Y[i]` value. The decoding can be improved by moving one of the 1- μ op instructions and by changing the sign of `xmm2` so that `movapd xmm0,[edi+eax]` and `subpd xmm0,xmm1` can be combined into one instruction `addpd xmm1,[edi+eax]`. We will therefore change the code of the loop as follows:

```

; Example 12.6c. Loop of DAXPY algorithm with improved decoding
.data
align 16
SignBit DD 0, 80000000H ; qword with sign bit set
n = 100 ; Define constant n (even and positive)

.code
mov ecx, n * 8 ; Load n * sizeof(double)
xor eax, eax ; i = 0
lea esi, [X] ; X must be aligned by 16

```



```

        lea edi, [Y]                ; Y must be aligned by 16
        movsd xmm2, [DA]           ; Load DA
        xorpd xmm2, [SignBit]      ; Change sign
        shufpd xmm2, xmm2, 0       ; Get -DA into both qwords of xmm2

L1: movapd xmm1, [esi+eax]         ; X[i], X[i+1]
    mulpd  xmm1, xmm2             ; X[i] * (-DA), X[i+1] * (-DA)
    addpd  xmm1, [edi+eax]        ; Y[i]-X[i]*DA, Y[i+1]-X[i+1]*DA
    add    eax, 16                ; Add size of two elements to index
    movapd [edi+eax-16],xmm1      ; Address corrected for changed eax
    cmp    eax, ecx               ; Compare with n*8
    jl    L1                      ; Loop back

```

The number of μ ops in the loop is the same as before, but the decode pattern is now 2-2-4-1-2-1-1 and the decode time is reduced from 6 to 4 clock cycles so that decoding is no longer a bottleneck.

An experimental test shows that the expected improvement is not obtained. The execution time is only reduced from 6.0 to 5.6 clock cycles per iteration. There are three reasons why the execution time is higher than the expected 4.3 clocks per iteration.

The first reason is register read stalls. The reorder buffer can handle no more than three reads per clock cycle from registers that have not been modified recently. Register `esi`, `edi`, `ecx` and `xmm2` are not modified inside the loop. `xmm2` counts as two because it is implemented as two 64-bit registers. `eax` also contributes to the register read stalls because its value has enough time to retire before it is used again. This causes a register read stall in two out of three iterations. The execution time can be reduced to 5.4 by moving the `add eax, 16` instruction up before the `mulpd` so that the reads of register `esi`, `xmm2` and `edi` are separated further apart and therefore prevented from going into the reorder buffer in the same clock cycle.

The second reason is retirement. The number of fused μ ops in the loop is not divisible by 3. Therefore, the taken jump to L1 will not always go into the first slot of the retirement station which it has to. This can sometimes cost a clock cycle.

The third reason is that the two μ ops for `addpd` may be issued in the same clock cycle through port 0 and port 1, respectively, though there is only one execution unit for floating point addition. This is the consequence of a bad design, as explained in manual 3: "The microarchitecture of Intel, AMD and VIA CPUs".

A solution which happens to work better is to get rid of the `cmp` instruction by using a negative index from the end of the arrays:

```

; Example 12.6d. Loop of DAXPY algorithm with negative indexes
.data
align 16
SignBit DD 0, 80000000H ; qword with sign bit set
n = 100 ; Define constant n (even and positive)

.code
mov    eax, -n * 8 ; Index = -n * sizeof(double)
lea    esi, [X + 8 * n] ; Point to end of array X (aligned)
lea    edi, [Y + 8 * n] ; Point to end of array Y (aligned)
movsd  xmm2, [DA] ; Load DA
xorpd  xmm2, [SignBit] ; Change sign
shufpd xmm2, xmm2, 0 ; Get -DA into both qwords of xmm2

L1: movapd xmm1, [esi+eax] ; X[i], X[i+1]
    mulpd  xmm1, xmm2 ; X[i] * (-DA), X[i+1] * (-DA)
    addpd  xmm1, [edi+eax] ; Y[i]-X[i]*DA, Y[i+1]-X[i+1]*DA
    movapd [edi+eax],xmm1 ; Store result

```

```

    add eax, 16          ; Add size of two elements to index
    js L1              ; Loop back

```

This removes one μop from the loop. My measurements show an execution time for example 12.6d of 5.0 clock cycles per iteration on a PM processor. The theoretical minimum is 4. The register read stalls have disappeared because `eax` now has less time to retire before it is used again. The retirement is also improved because the number of fused μops in the loop is now 12, which is divisible by the retirement rate of 3. The problem with the floating point addition μops clashing remains and this is responsible for the extra clock cycle. This problem can only be targeted by experimentation. I found that the optimal order of the instructions has the `add` instruction immediately after the `mulpd`:

```

; Example 12.6e. Loop of DAXPY. Optimal solution for PM
.data
align 16
SignBit DD 0, 80000000H ; qword with sign bit set
n = 100 ; Define constant n (even and positive)

.code
    mov eax, -n * 8 ; Index = -n * sizeof(double)
    lea esi, [X + 8 * n] ; Point to end of array X (aligned)
    lea edi, [Y + 8 * n] ; Point to end of array Y (aligned)
    movsd xmm2, [DA] ; Load DA
    xorpd xmm2, [SignBit] ; Change sign
    shufpd xmm2, xmm2, 0 ; Get -DA into both qwords of xmm2

L1: movapd xmm1, [esi+eax] ;
    mulpd xmm1, xmm2 ;
    add eax, 16 ; Optimal position of add instruction
    addpd xmm1, [edi+eax-16] ; Address corrected for changed eax
    movapd [edi+eax-16], xmm1 ; Address corrected for changed eax
    js L1 ;

```

The execution time is now reduced to 4.0 clock cycles per iteration, which is the theoretical minimum. An analysis of the bottlenecks in the loop of example 12.6e gives the following results: The decoding time is 4 clock cycles. The retirement time is $12 / 3 = 4$ clock cycles. Port 0 and 1 are used at 75% of their capacity. Port 2 is used 100%. Port 3 and 4 are used 50%. The FMUL execution unit is used at 100% of its maximum throughput. The FADD unit is used 50%. The conclusion is that the speed is limited by four equally narrow bottlenecks and that no further improvement is possible.

The fact that we found an instruction order that removes the floating point μop clashing problem is sheer luck. In more complicated cases there may not exist a solution that eliminates this problem.

12.8 Same example on Core2

The same loop will run more efficiently on a Core2 thanks to better μop fusion and more powerful execution units. Example 12.6c and 12.6d are good candidates for running on a Core2. The `jl L1` instruction in example 12.6c should be changed to `jb L1` in order to enable macro-op fusion in 32-bit mode. This change is possible because the loop counter cannot be negative in example 12.6c.

We will now analyze the resource use of the loop in example 12.6d for a Core2 processor. The resource use of each instruction in the loop is listed in table 12.2 below.

Instruction	Instruction length	jops fused domain	jops for each execution port					
			port 0	port 1	port 5	port 2	port 3	port 4
<code>movapd xmm1, [esi+eax]</code>	5	1				1		
<code>mulpd xmm1, xmm2</code>	4	1	1					
<code>addpd xmm1, [edi+eax]</code>	5	1		1		1		
<code>movapd [edi+eax], xmm1</code>	5	1					1	1
<code>add eax, 16</code>	3	1	x	x	x			
<code>js L1</code>	2	1			1			
Total	24	6	1.33	1.33	1.33	2	1	1

Table 12.2. Total jops for DAXPY loop on Core2 (example 12.6d).

Predecoding is not a problem here because the total size of the loop is less than 64 bytes. There is no need to align the loop because the size is less than 50 bytes. If the loop had been bigger than 64 bytes then we would notice that the predecoder can handle only the first three instructions in one clock cycle because it cannot handle more than 16 bytes.

There are no restrictions on the decoders because all the instructions generate only a single jop each. The decoders can handle four instructions per clock cycle, so the decoding time will be $6/4 = 1.5$ clock cycles per iteration.

Port 0, 1 and 2 each have one jop that can go nowhere else. In addition, the `ADD EAX, 16` instruction can go to any one of these three ports. If these instructions are distributed evenly between port 0, 1 and 2, then these ports will be busy for 1.33 clock cycle per iteration on average.

Port 3 receives two jops per iteration for reading `x[i]` and `y[i]`. We can therefore conclude that memory reads on port 3 is the bottleneck for the DAXPY loop, and that the execution time is 2 clock cycles per iteration.

Example 12.6c has one instruction more than example 12.6d, which we have just analyzed. The extra instruction is `CMP EAX, ECX`, which can go to any of the ports 0, 1 and 2. This will increase the pressure on these ports to 1.67, which is still less than the 2 jops on port 3. The extra jop can be eliminated by macro-op fusion in 32-bit mode, but not in 64-bit mode.

The floating point addition and multiplication units all have a throughput of 1. These units are therefore not bottlenecks in the DAXPY loop.

We need to consider the possibility of register read stalls in the loop. Example 12.6c has four registers that are read, but not modified, inside the loop. This is register `ESI`, `EDI`, `XMM2` and `ECX`. This could cause a register read stall if all of these registers were read within four consecutive jops. But the jops that read these registers are spaced so much apart that no more than three of these can possibly be read in four consecutive jops. Example 12.6d has one register less to read because `ECX` is not used. Register read stalls are therefore unlikely to cause troubles in these loops.

The conclusion is that the Core2 processor runs the DAXPY loop in half as many clock cycles as the PM. The problem with jop clashing that made the optimization particularly difficult on the PM has been eliminated in the Core2 design.

12.9 Same example on Sandy Bridge

The number of elements in a vector register can be doubled on processors with the AVX instruction set, using YMM registers, as shown in the next example:

```

; Example 12.6f. Loop of DAXPY for processors with AVX
.data
SignBit DD 0, 80000000H ; qword with sign bit set
n = 100 ; Define constant n (divisible by 4)

.code
vbroadcastsd ymm0, [SignBit] ; preload sign bit x 4
mov eax, -n * 8 ; Index = -n * sizeof(double)
lea rsi, [X + 8 * n] ; Point to end of array X (aligned)
lea rdi, [Y + 8 * n] ; Point to end of array Y (aligned)
vbroadcastsd ymm2, [DA] ; Load DA x 4
vxorpd ymm2, ymm2, ymm0 ; Change sign

align 32
L1: vmulpd ymm1, ymm2, [rsi+rax] ; X[i]*(-DA)
vaddpd ymm1, ymm1, [rdi+rax] ; Y[i]-X[i]*DA
vmovapd [rdi+rax], ymm1 ; Store (vmovupd if not aligned by 32)
add rax, 32 ; Add size of four elements to index
jl L1 ; Loop back
vzeroupper ; If subsequent code is non-VEX

```

We will now analyze the resource use of the loop in example 12.6f for a Sandy Bridge processor. The resource use of each instruction in the loop is listed in table 12.2 below.

Instruction	Instruction length	µops fused domain	µops for each port execution					
			port 0	port 1	port 5	port 2	port 3	port 4
<code>vmulpd ymm1, ymm2, [rsi+rax]</code>	5	1	1			1+		
<code>vaddpd ymm1, ymm1, [rdi+rax]</code>	5	1		1			1+	
<code>vmovapd [rdi+rax], ymm1</code>	5	1				1		1+
<code>add rax, 32</code>	4	½			½			
<code>jl L1</code>	2	½			½			
Total	21	4	1	1	1	2	1+	1+

Table 12.3. Total µops for DAXPY loop on Sandy Bridge (example 12.6f).

The instruction length is not important if we assume that the loop resides in the µop cache. The `ADD` and `JL` instructions are most likely fused together, using only 1 µop together. There are two 256-bit read operations, each using a read port for two consecutive clock cycles, which is indicated as 1+ in the table. Using both read ports (port 2 and 3), we will have a throughput of two 256-bit reads in two clock cycles. One of the read ports will make an address calculation for the write in the second clock cycle. The write port (port 4) is occupied for two clock cycles by the 256-bit write. The limiting factor will be the read and write operations, using the two read ports and the write port at their maximum capacity. Port 0, 1 and 5 are used at half capacity. There is no loop-carried dependency chain. Thus, the expected throughput is one iteration of four calculations in two clock cycles.

Unfortunately, the probability of cache bank conflicts is high due to the high number of memory operations. It is difficult to predict which operands will be read or written simultaneously because many iterations are in flight at a time. My tests on a Sandy Bridge

showed that the theoretical time of 2 clock cycles per iteration is never obtained. The best result was 2.2 clocks per iteration when the distance between `RSI` and `RDI` is a multiple of 4 kbytes. In other cases, the time was 2.6 clock cycles or more per iteration.

12.10 Same example with FMA4

The AMD Bulldozer is the first x86 processor with fused multiply-and-add instructions. These instructions can improve the throughput significantly.

```
; Example 12.6g. Loop of DAXPY for processors with FMA4

.code
mov eax, -n * 8           ; Index = -n * sizeof(double)
lea rsi, [X + 8 * n]     ; Point to end of array X (aligned)
lea rdi, [Y + 8 * n]     ; Point to end of array Y (aligned)
vmovdqup xmm2, [DA]      ; Load DA x 2

align 32
L1: vmovapd xmm1, [rsi+rax] ; X[i]
vfnmaddpd xmm1, xmm1, xmm2, [rdi+rax] ; Y[i]-X[i]*DA
vmovapd [rdi+rax], xmm1 ; Store
add rax, 16              ; Add size of two elements to index
jl L1                   ; Loop back
```

This loop is not limited by the execution units but by memory access. Unfortunately, cache bank conflicts are very frequent on the Bulldozer. This increases the time consumption from the theoretical 2 clock cycles per iteration to almost 4. There is no advantage in using the bigger YMM registers on the Bulldozer. On the contrary, the decoding of the YMM double instructions is somewhat less efficient.

12.11 Same example with FMA3

The Intel Haswell processor supports the 3-operand form of fused multiply-and-add instructions called FMA3. AMD Piledriver supports both FMA3 and FMA4.

```
; Example 12.6h. Loop of DAXPY with FMA3, using xmm registers

.code
mov eax, -n * 8           ; Index = -n * sizeof(double)
lea rsi, [X + 8 * n]     ; Point to end of array X (aligned)
lea rdi, [Y + 8 * n]     ; Point to end of array Y (aligned)
vmovdqup xmm2, [DA]      ; Load DA x 2

align 32
L1: vmovapd xmm1, [rsi+rax] ; X[i]
vfnmadd231pd xmm1, xmm2, [rdi+rax] ; Y[i]-X[i]*DA
vmovapd [rdi+rax], xmm1 ; Store
add rax, 16              ; Add size of two elements to index
jl L1                   ; Loop back
```

This loop takes 1 - 2 clock cycles per iteration on Intel processors. The throughput can be almost doubled by using the YMM registers:

```
; Example 12.6i. Loop of DAXPY with FMA3, using ymm registers

.code
mov eax, -n * 8           ; Index = -n * sizeof(double)
lea rsi, [X + 8 * n]     ; Point to end of array X
lea rdi, [Y + 8 * n]     ; Point to end of array Y
vbroadcastsd xmm2, [DA] ; Load DA x 4
```

```

    align 32
L1: vmovupd ymm1, [rsi+rax] ; X[i]
    vfnmadd231pd ymm1, ymm2, [rdi+rax] ; Y[i]-X[i]*DA
    vmovupd [rdi+rax], ymm1 ; Store
    add rax, 32 ; Add size of two elements to index
    jl L1 ; Loop back

```

Example 12.6i does not assume that the arrays are aligned by 32. Therefore, `VMOVAPD` has been changed to `VMOVUPD`.

12.12 Loop unrolling

A loop that does n repetitions can be replaced by a loop that repeats n / r times and does r calculations for each repetition, where r is the unroll factor. n should preferably be divisible by r .

Loop unrolling can be used for the following purposes:

- Reducing loop overhead. The loop overhead per calculation is divided by the loop unroll factor r . This is only useful if the loop overhead contributes significantly to the calculation time. There is no reason to unroll a loop if some other bottleneck limits the execution speed. For example, the loop in example 12.6e above cannot benefit from further unrolling.
- Vectorization. A loop must be rolled out by r or a multiple of r in order to use vector registers with r elements. The loop in example 12.6e is rolled out by 2 in order to use vectors of two double-precision numbers. If we had used single-precision numbers then we would have rolled out the loop by 4 and used vectors of 4 elements.
- Improve branch prediction. The prediction of the loop exit branch can be improved by unrolling the loop so much that the repeat count n / r does not exceed the maximum repeat count that can be predicted on a specific CPU.
- Improve caching. If the loop suffers from many data cache misses or cache contentions then it may be advantageous to schedule memory reads and writes in the way that is optimal for a specific processor. This is rarely needed on modern processors. See the optimization manual from the microprocessor vendor for details.
- Eliminate integer divisions. If the loop contains an expression where the loop counter i is divided by an integer r or the modulo of i by r is calculated, then the integer division can be avoided by unrolling the loop by r .
- Eliminate branch inside loop. If there is a branch or a `switch` statement inside the loop with a repetitive pattern of period r then this can be eliminated by unrolling the loop by r . For example, if an if-else branch goes either way every second time then this branch can be eliminated by rolling out by 2.
- Break loop-carried dependency chain. A loop-carried dependency chain can in some cases be broken up by using multiple accumulators. The unroll factor r is equal to the number of accumulators. See example 9.3b page 65.
- Reduce dependence of induction variable. If the latency of calculating an induction variable from the value in the previous iteration is so long that it becomes a bottleneck then it may be possible to solve this problem by unrolling by r and calculate each value of the induction variable from the value that is r places behind in the sequence.

- Complete unrolling. A loop is completely unrolled when $r = n$. This eliminates the loop overhead completely. Every expression that is a function of the loop counter can be replaced by constants. Every branch that depends only on the loop counter can be eliminated. See page 112 for examples.

There is a problem with loop unrolling when the repeat count n is not divisible by the unroll factor r . There will be a remainder of n modulo r extra calculations that are not done inside the loop. These extra calculations have to be done either before or after the main loop.

It can be quite tricky to get the extra calculations right when the repeat count is not divisible by the unroll factor; and it gets particularly tricky if we are using a negative index as in example 12.6d and e. The following example shows the DAXPY algorithm again, this time with single precision and unrolled by 4. In this example n is a variable which may or may not be divisible by 4. The arrays x and y must be aligned by 16. (The optimization that was specific to the PM processor has been omitted for the sake of clarity).

```
; Example 12.7. Unrolled Loop of DAXPY, single precision.
.data
align      16
SignBitS   DD  80000000H          ; dword with sign bit set

.code
    mov     eax, n                ; Number of calculations, n
    sub     eax, 4                ; n - 4
    lea    esi, [X + eax*4]       ; Point to X[n-4]
    lea    edi, [Y + eax*4]       ; Point to Y[n-4]
    movss  xmm2, DA              ; Load DA
    xorps  xmm2, SignBitS        ; Change sign
    shufps xmm2, xmm2, 0         ; Get -DA into all four dwords of xmm2
    neg    eax                   ; -(n-4)
    jg     L2                    ; Skip main loop if n < 4

L1: ; Main loop rolled out by 4
    movaps xmm1, [esi+eax*4]      ; Load 4 values from X
    mulps  xmm1, xmm2            ; Multiply with -DA
    addps  xmm1, [edi+eax*4]      ; Add 4 values from Y
    movaps [edi+eax*4], xmm1     ; Store 4 results in Y
    add    eax, 4                ; i += 4
    jle    L1                    ; Loop as long as <= 0

L2: ; Check for remaining calculations
    sub    eax, 4                ; = -remainder
    jns    L4                    ; Skip extra loop if remainder = 0

L3: ; Extra loop for up to 3 remaining calculations
    movss  xmm1, [esi+eax*4+16]  ; Load 1 value from X
    mulss  xmm1, xmm2            ; Multiply with -DA
    addss  xmm1, [edi+eax*4+16]  ; Add 1 value from Y
    movss  [edi+eax*4+16], xmm1  ; Store 1 result in Y
    add    eax, 1                ; i += 1
    js     L3                    ; Loop as long as negative

L4:
```

An alternative solution for an unrolled loop that does calculations on arrays is to extend the arrays with up to $r-1$ unused spaces and rounding up the repeat count n to the nearest multiple of the unroll factor r . This eliminates the need for calculating the remainder ($n \bmod r$) and for the extra loop for the remaining calculations. The unused array elements must be initialized to zero or some other valid floating point value in order to avoid denormal numbers, NAN, overflow, underflow, or any other condition that can slow down the floating point calculations. If the arrays are of integer type then the only condition you have to avoid is division by zero.

Loop unrolling should only be used when there is a reason to do so and a significant gain in speed can be obtained. Excessive loop unrolling should be avoided. The disadvantages of loop unrolling are:

- The code becomes bigger and takes more space in the code cache. This can cause code cache misses that cost more than what is gained by the unrolling. Note that the code cache misses are not detected when the loop is tested in isolation.
- Many processors have a loop buffer to increase the speed of very small loops. The loop buffer is limited to 20 - 40 instructions or 64 bytes of code, depending on the processor. Loop unrolling is likely to decrease performance if it exceeds the size of the loop buffer. (Processor-specific details are provided in manual 3: "The microarchitecture of Intel, AMD and VIA CPUs".)
- Some processors have a μ op cache of limited size. This μ op cache is so valuable that its use should be economized. Unrolled loops take up more space in the μ op cache. Note that the μ op cache misses are not detected when the loop is tested in isolation.
- The need to do extra calculations outside the unrolled loop in case n is not divisible by r makes the code more complicated and clumsy and increases the number of branches.
- The unrolled loop may need more registers, e.g. for multiple accumulators.

12.13 Optimize caching

Memory access is likely to take more time than anything else in a loop that accesses uncached memory. Data should be held contiguous if possible and accessed sequentially, as explained in chapter 11 page 82.

The number of arrays accessed in a loop should not exceed the number of read/write buffers in the microprocessor. One way of reducing the number of data streams is to combine multiple arrays into an array of structures so that the multiple data streams are interleaved into a single stream.

Modern microprocessors have advanced data prefetching mechanisms. These mechanisms can detect regularities in the data access pattern such as accessing data with a particular stride. It is recommended to take advantage of such prefetching mechanisms by keeping the number of different data streams at a minimum and keeping the access stride constant if possible. Automatic data prefetching often works better than explicit data prefetching when the data access pattern is sufficiently regular.

Explicit prefetching of data with the `prefetch` instructions may be necessary in cases where the data access pattern is too irregular to be predicted by the automatic prefetch mechanisms. A good deal of experimentation is often needed to find the optimal prefetching strategy for a program that accesses data in an irregular manner.

It is possible to put the data prefetching into a separate thread if the system has multiple CPU cores. The Intel C++ compiler has a feature for doing this.

Data access with a stride that is a high power of 2 is likely to cause cache line contentions. This can be avoided by changing the stride or by loop blocking. See the chapter on optimizing memory access in manual 1: "Optimizing software in C++" for details.

The non-temporal write instructions are useful for writing to uncached memory that is unlikely to be accessed again soon. You may use vector instructions in order to minimize the number of non-temporal write instructions.

12.14 Parallelization

The most important way of improving the performance of CPU-intensive code is to do things in parallel. The main methods of doing things in parallel are:

- Improve the possibilities of the CPU to do out-of-order execution. This is done by breaking long dependency chains (see page 65) and distributing μ ops evenly between the different execution units or execution ports (see page 94).
- Use vector instructions. See chapter 13 page 114.
- Use multiple threads. See chapter 14 page 136.

Loop-carried dependency chains can be broken by using multiple accumulators, as explained on page 65. The optimal number of accumulators if the CPU has nothing else to do is the latency of the most critical instruction in the dependency chain divided by the reciprocal throughput for that instruction. For example, the latency of floating point addition on an AMD processor is 4 clock cycles and the reciprocal throughput is 1. This means that the optimal number of accumulators is 4. Example 12.8b below shows a loop that adds numbers with four floating point registers as accumulators.

```
// Example 12.8a, Loop-carried dependency chain
// (Same as example 9.3a page 65)
double list[100], sum = 0.;
for (int i = 0; i < 100; i++) sum += list[i];
```

An implementation with 4 floating point registers as accumulators looks like this:

```
; Example 12.8b, Four floating point accumulators
    lea  esi, list           ; Pointer to list
    fld  qword ptr [esi]     ; accum1 = list[0]
    fld  qword ptr [esi+8]   ; accum2 = list[1]
    fld  qword ptr [esi+16]  ; accum3 = list[2]
    fld  qword ptr [esi+24]  ; accum4 = list[3]
    fxch st(3)              ; Get accum1 to top
    add  esi, 800            ; Point to end of list
    mov  eax, 32-800        ; Index to list[4] from end of list
L1:
    fadd qword ptr [esi+eax] ; Add list[i]
    fxch st(1)              ; Swap accumulators
    fadd qword ptr [esi+eax+8] ; Add list[i+1]
    fxch st(2)              ; Swap accumulators
    fadd qword ptr [esi+eax+16] ; Add list[i+2]
    fxch st(3)              ; Swap accumulators
    add  eax, 24             ; i += 3
    js   L1                 ; Loop

    faddp st(1), st(0)      ; Add two accumulators together
    fxch st(1)              ; Swap accumulators
    faddp st(2), st(0)      ; Add the two other accumulators
    faddp st(1), st(0)      ; Add these sums
    fstp qword ptr [sum]    ; Store the result
```

In example 12.8b, I have loaded the four accumulators with the first four values from `list`. Then the number of additions to do in the loop happens to be divisible by the rollout factor, which is 3. The funny thing about using floating point registers as accumulators is that the

number of accumulators is equal to the rollout factor *plus one*. This is a consequence of the way the `fxch` instructions are used for swapping the accumulators. You have to play computer and follow the position of each accumulator on the floating point register stack to verify that the four accumulators are actually rotated one place after each iteration of the loop so that each accumulator is used for every fourth addition despite the fact that the loop is only rolled out by three.

The loop in example 12.8b takes 1 clock cycle per addition, which is the maximum throughput of the floating point adder. The latency of 4 clock cycles for floating point addition is taken care of by using four accumulators. The `fxch` instructions have zero latency because they are translated to register renaming on most Intel, AMD and VIA processors (except on Intel Atom).

The `fxch` instructions can be avoided on processors with the SSE2 instruction set by using XMM registers instead of floating point stack registers as shown in example 12.8c. The latency of floating point vector addition is 4 on an AMD and the reciprocal throughput is 2 so the optimal number of accumulators is 2 vector registers.

```

; Example 12.8c, Two XMM vector accumulators
    lea    esi, list           ; list must be aligned by 16
    movapd xmm0, [esi]        ; list[0], list[1]
    movapd xmm1, [esi+16]     ; list[2], list[3]
    add    esi, 800           ; Point to end of list
    mov    eax, 32-800        ; Index to list[4] from end of list
L1:
    addpd  xmm0, [esi+eax]     ; Add list[i], list[i+1]
    addpd  xmm1, [esi+eax+16] ; Add list[i+2], list[i+3]
    add    eax, 32            ; i += 4
    js    L1                  ; Loop

    addpd  xmm0, xmm1         ; Add the two accumulators together
    movhlpd xmm1, xmm0       ; There is no movhlpd instruction
    addsd  xmm0, xmm1        ; Add the two vector elements
    movsd  [sum], xmm0       ; Store the result

```

Example 12.8b and 12.8c are exactly equally fast on an AMD processor because both are limited by the throughput of the floating point adder.

Example 12.8c is faster than 12.8b on an Intel Core2 processor because this processor has a 128 bits wide floating point adder that can handle a whole vector in one operation.

12.15 Analyzing dependences

A loop may have several interlocked dependency chains. Such complex cases require a careful analysis.

The next example is a Taylor expansion. As you probably know, many functions can be approximated by a Taylor polynomial of the form

$$f(x) \approx \sum_{i=0}^n c_i x^i$$

Each power x^i is conveniently calculated by multiplying the preceding power x^{i-1} with x . The coefficients c_i are stored in a table.

```

; Example 12.9a. Taylor expansion
.data
align 16
    one    dq    1.0          ; 1.0
    x      dq    ?           ; x
    coeff  dq    c0, c1, c2, ... ; Taylor coefficients

```

```

    coeff_end    label qword                ; end of coeff. list

.code
    movsd xmm2, [x]                        ; xmm2 = x
    movsd xmm1, [one]                      ; xmm1 = x^i
    xorps xmm0, xmm0                       ; xmm0 = sum. init. to 0
    mov     eax, offset coeff              ; point to c[i]
L1:  movsd xmm3, [eax]                     ; c[i]
     mulsd xmm3, xmm1                      ; c[i] * x^i
     mulsd xmm1, xmm2                      ; x^(i+1)
     addsd xmm0, xmm3                      ; sum += c[i] * x^i
     add   eax, 8                          ; point to c[i+1]
     cmp   eax, offset coeff_end          ; stop at end of list
     jb   L1                               ; loop

```

(If your assembler confuses the `movsd` instruction with the string instruction of the same name, then code it as `DB 0F2H / movups`).

And now to the analysis. The list of coefficients is so short that we can expect it to stay cached.

In order to check whether latencies are important, we have to look at the dependences in this code. The dependences are shown in figure 12.1.

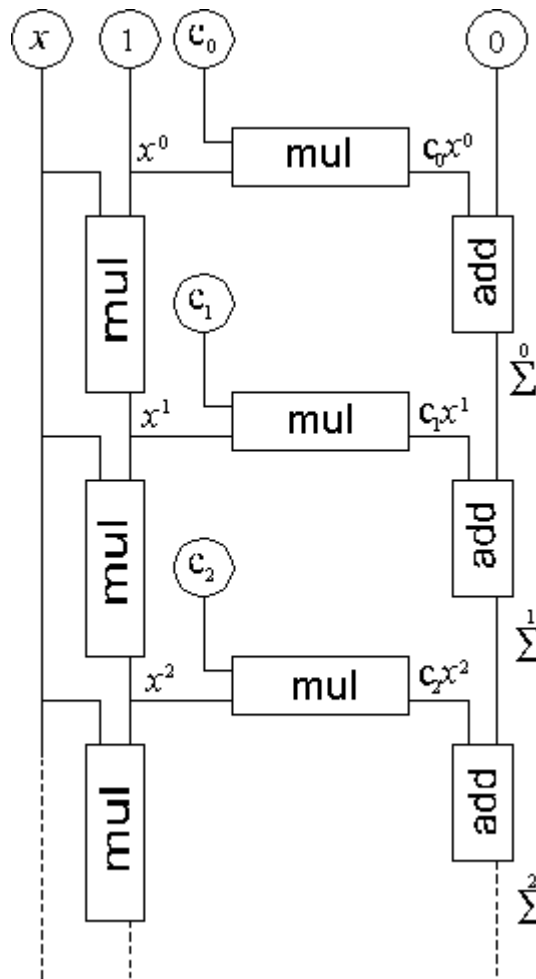


Figure 12.1: Dependences in Taylor expansion of example 12.9.

There are two continued dependency chains, one for calculating x^i and one for calculating the sum. The latency of the `mulsd` instruction is longer than the `addsd` on Intel processors.

The vertical multiplication chain is therefore more critical than the addition chain. The additions have to wait for $c_i x^i$, which come one multiplication latency after x^i , and later than the preceding additions. If nothing else limits the performance, then we can expect this code to take one multiplication latency per iteration, which is 4 - 7 clock cycles, depending on the processor.

Throughput is not a limiting factor because the throughput of the multiplication unit is one multiplication per clock cycle on processors with a 128 bit execution unit.

Measuring the time of example 12.9a, we find that the loop takes at least one clock cycle more than the multiplication latency. The explanation is as follows: Both multiplications have to wait for the value of x^{i-1} in `xmm1` from the preceding iteration. Thus, both multiplications are ready to start at the same time. We would like the vertical multiplication in the ladder of figure 12.1 to start first, because it is part of the most critical dependency chain. But the microprocessor sees no reason to swap the order of the two multiplications, so the horizontal multiplication on figure 12.1 starts first. The vertical multiplication is delayed for one clock cycles, which is the reciprocal throughput of the floating point multiplication unit. The problem can be solved by putting the horizontal multiplication in figure 12.1 after the vertical multiplication:

```

; Example 12.9b. Taylor expansion
movsd  xmm2, [x]           ; xmm2 = x
movsd  xmm1, [one]        ; xmm1 = x^i
xorps  xmm0, xmm0         ; xmm0 = sum. initialize to 0
mov    eax, offset coeff  ; point to c[i]
L1: movapd xmm3, xmm1      ; copy x^i
mulsd  xmm1, xmm2         ; x^(i+1) (vertical multipl.)
mulsd  xmm3, [eax]        ; c[i]*x^i (horizontal multipl.)
add    eax, 8             ; point to c[i+1]
cmp    eax, offset coeff_end ; stop at end of list
addsd  xmm0, xmm3         ; sum += c[i] * x^i
jb     L1                 ; loop

```

Here we need an extra instruction for copying x^i (`movapd xmm3,xmm1`) so that we can make the vertical multiplication before the horizontal multiplication. This makes the execution one clock cycle faster per iteration of the loop.

We are still using only the lower part of the `xmm` registers. There is more to gain by doing two multiplications simultaneously and taking two steps in the Taylor expansion at a time. The trick is to calculate each value of x^i from x^{i-2} by multiplying with x^2 :

```

; Example 12.9c. Taylor expansion, double steps
movsd  xmm4, [x]           ; x
mulsd  xmm4, xmm4         ; x^2
movlhps xmm4, xmm4       ; x^2, x^2
movapd  xmm1, xmmword ptr [one] ; xmm1(L)=1.0, xmm1(H)=x
xorps  xmm0, xmm0         ; xmm0 = sum. init. to 0
mov    eax, offset coeff  ; point to c[i]
L1: movapd  xmm3, xmm1      ; copy x^i, x^(i+1)
mulpd  xmm1, xmm4         ; x^(i+2), x^(i+3)
mulpd  xmm3, [eax]        ; c[i]*x^i, c[i+1]*x^(i+1)
addpd  xmm0, xmm3         ; sum += c[i] * x^i
add    eax, 16           ; point to c[i+2]
cmp    eax, offset coeff_end ; stop at end of list
jb     L1                 ; loop
haddpd  xmm0, xmm0        ; join the two parts of sum

```

The speed is now doubled. The loop still takes the multiplication latency per iteration, but the number of iterations is halved. The multiplication latency is 4-5 clock cycles depending on the processor. Doing two vector multiplies per iteration, we are using only 40 or 50% of

the maximum multiplier throughput. This means that there is more to gain by further parallelization. We can do this by taking four Taylor steps at a time and calculating each value of x^i from x^{i-4} by multiplying with x^4 :

```

; Example 12.9d. Taylor expansion, quadruple steps
movsd   xmm4, [x]                ; x
mulsd   xmm4, xmm4                ; x^2
movlhps xmm4, xmm4                ; x^2, x^2
movapd  xmm2, xmmword ptr [one]  ; xmm2(L)=1.0, xmm2(H)=x
movapd  xmm1, xmm2                ; xmm1 = 1, x
mulpd   xmm2, xmm4                ; xmm2 = x^2, x^3
mulpd   xmm4, xmm4                ; xmm4 = x^4, x^4
xorps   xmm5, xmm5                ; xmm5 = sum. init. to 0
xorps   xmm6, xmm6                ; xmm6 = sum. init. to 0
mov     eax, offset coeff         ; point to c[i]
L1: movapd xmm3, xmm1              ; copy x^i, x^(i+1)
     movapd xmm0, xmm2              ; copy x^(i+2), x^(i+3)
     mulpd  xmm1, xmm4              ; x^(i+4), x^(i+5)
     mulpd  xmm2, xmm4              ; x^(i+6), x^(i+7)
     mulpd  xmm3, xmmword ptr [eax] ; term(i), term(i+1)
     mulpd  xmm0, xmmword ptr [eax+16] ; term(i+2), term(i+3)
     addpd  xmm5, xmm3              ; add to sum
     addpd  xmm6, xmm0              ; add to sum
     add    eax, 32                 ; point to c[i+2]
     cmp    eax, offset coeff_end  ; stop at end of list
     jbe   L1                       ; loop
     addpd  xmm5, xmm6              ; join two accumulators
     haddpd xmm5, xmm5              ; final sum in xmm5

```

We are using two registers, `xmm1` and `xmm2`, for keeping four consecutive powers of x in example 12.9d in order to split the vertical dependency chain in figure 12.1 into four parallel chains. Each power x^i is calculated from x^{i-4} . Similarly, we are using two accumulators for the sum, `xmm5` and `xmm6` in order to split the addition chain into four parallel chains. The four sums are added together after the loop. A measurement on a Core 2 shows 5.04 clock cycles per iteration or 1.26 clock cycle per Taylor term for example 12.9d. This is close to the expectation of 5 clock cycles per iteration as determined by the multiplication latency. This solution uses 80% of the maximum throughput of the multiplier which is a very satisfactory result. There is hardly anything to gain by unrolling further. The vector addition and other instructions do not add to the execution time because they do not need to use the same execution units as the multiplications. Instruction fetch and decoding is not a bottleneck in this case.

The throughput can be improved further on processors supporting the AVX instruction set with 256-bit YMM registers:

```

; Example 12.9e. Taylor expansion using AVX
vmovddup xmm2, [x]                ; x, x
vmulpd  xmm5, xmm2, xmm2          ; x^2, x^2
vmulpd  xmm4, xmm5, xmm5          ; x^4, x^4
vmovsd  xmm2, [one]               ; 1
vmovhpd xmm2, xmm2, [x]           ; 1, x
vmulpd  xmm0, xmm2, xmm5          ; x^2, x^3
vinsertf128 ymm2, ymm2, xmm0, 1   ; 1, x, x^2, x^3
vinsertf128 ymm4, ymm4, xmm4, 1   ; x^4, x^4, x^4, x^4
vmulpd  ymm3, ymm2, ymm4          ; x^4, x^5, x^6, x^7
vmulpd  ymm4, ymm4, ymm4          ; x^8, x^8, x^8, x^8
vxorps  xmm0, xmm0                ; sum0 = 0
vxorps  xmm1, xmm1                ; sum1 = 0
lea     rax, [coeff_end]          ; point to end of coeff[i]
mov     rcx, -n                    ; counter
jmp     L2                          ; jump into loop

```

```

align 32                                     ; loop
L1: vmulpd ymm2, ymm2, ymm4                 ; multiply powers of x by x^8
    vmulpd ymm3, ymm3, ymm4                 ; multiply powers of x by x^8
L2: vmulpd ymm5, ymm2, [rax+rcx]            ; first four terms
    vaddpd ymm0, ymm0, ymm5                 ; sum0
    vmulpd ymm5, ymm3, [rax+rcx+32]        ; next four terms
    vaddpd ymm1, ymm1, ymm5                 ; sum1
    add rcx, 64
    jl L1

    ; make total sum
    vaddpd ymm0, ymm0, ymm1                 ; join two accumulators
    vextractf128 xmm5, ymm0, 1              ; get high part
    vaddpd xmm0, xmm0, xmm5                 ; add high and low part
    vhaddpd xmm0, xmm0, xmm0                ; final sum in xmm0
    vzeroupper                               ; if subsequent code is non-VEX

```

Example 12.9e calculates 8 terms for each iteration. The execution time was measured to 5.5 clock cycles per iteration on a Sandy Bridge, which is close to the theoretical minimum of 5 clock cycles as determined by the multiplication latency.

The time spent outside the loop is of course higher in example 12.9d and 12.9e than in the previous examples, but the performance gain is still very significant even for a small number of iterations. A little final twist is to put the first coefficient into the accumulator before the loop and start with x^1 rather than x^0 . A better precision is obtained by adding the first term last, but at the cost of an extra addition latency.

The code in example 12.9e can be further improved by using fused multiply-and-add instructions (FMA3 or FMA4) inside the loop if these instructions are supported.

To conclude, the vertical multiplication should be done before the horizontal multiplication. The optimal number of accumulator registers is the value that makes use of the maximum possible throughput of the execution units if the loop iteration count is high. If the loop iteration count is so low that the setup time before the loop and the additions after the loop also matter, then the optimal number of accumulator registers may be somewhat smaller.

It is common to stop a Taylor expansion when the terms become negligible. However, it may be better to always include the worst case maximum number of terms in order to avoid the floating point comparisons needed for checking the stop condition. A constant repetition count will also prevent misprediction of the loop exit. The cost of calculating more terms than needed is actually quite small in the optimized examples that use only 1.26 or 0.69 clock cycles, respectively, per term.

Remember to set the `mxcsr` register to "Flush to zero" mode in order to avoid the possible penalty of underflows when doing more iterations than necessary.

12.16 Loops on processors without out-of-order execution

The P1 and PMMX processors have no capabilities for out-of-order execution. These processors are of course obsolete today, but the principles described here may be applied to smaller embedded processors.

I have chosen the simple example of a procedure that reads integers from an array, changes the sign of each integer, and stores the results in another array. A C++ language code for this procedure would be:

```

// Example 12.10a. Loop to change sign
void ChangeSign (int * A, int * B, int N) {
    for (int i = 0; i < N; i++) B[i] = -A[i];
}

```

An assembly implementation optimized for P1 may look like this:

```

; Example 12.10b
    mov     esi, [A]
    mov     eax, [N]
    mov     edi, [B]
    xor     ecx, ecx
    lea    esi, [esi+4*eax]           ; point to end of array a
    sub    ecx, eax                  ; -n
    lea    edi, [edi+4*eax]         ; point to end of array b
    jz     short L3
    xor     ebx, ebx                ; start first calculation
    mov    eax, [esi+4*ecx]
    inc    ecx
    jz     short L2
L1:   sub    ebx, eax                ; u
    mov    eax, [esi+4*ecx]         ; v (pairs)
    mov    [edi+4*ecx-4], ebx       ; u
    inc    ecx                      ; v (pairs)
    mov    ebx, 0                  ; u
    jnz    L1                      ; v (pairs)
L2:   sub    ebx, eax                ; end last calculation
    mov    [edi+4*ecx-4], ebx
L3:

```

Here the iterations are overlapped in order to improve pairing opportunities. We begin reading the second value before we have stored the first one. The `mov ebx, 0` instruction has been put in between `inc ecx` and `jnz L1`, not to improve pairing, but to avoid the AGI stall that would result from using `ecx` as address index in the first instruction pair after it has been incremented.

Loops with floating point operations are somewhat different because the floating point instructions are pipelined and overlapping rather than pairing. Consider the DAXPY loop of example 12.6 page 95. An optimal solution for P1 is as follows:

```

; Example 12.11. DAXPY optimized for P1 and PMMX
    mov    eax, [n]                 ; number of elements
    mov    esi, [X]                 ; pointer to X
    mov    edi, [Y]                 ; pointer to Y
    xor    ecx, ecx
    lea    esi, [esi+8*eax]         ; point to end of X
    sub    ecx, eax                 ; -n
    lea    edi, [edi+8*eax]        ; point to end of Y
    jz     short L3                 ; test for n = 0
    fld    qword ptr [DA]           ; start first calc.
    fmul  qword ptr [esi+8*ecx]     ; DA * X[0]
    jmp    short L2                 ; jump into loop
L1:   fld    qword ptr [DA]
    fmul  qword ptr [esi+8*ecx]     ; DA * X[i]
    fxch                                     ; get old result
    fstp  qword ptr [edi+8*ecx-8]   ; store Y[i]
L2:   fsubr qword ptr [edi+8*ecx]   ; subtract from Y[i]
    inc    ecx                      ; increment index
    jnz    L1                      ; loop
    fstp  qword ptr [edi+8*ecx-8]   ; store last result
L3:

```

Here we are using the loop counter as array index and counting through negative values up to zero.

Each operation begins before the previous one is finished, in order to improve calculation overlaps. Processors with out-of-order execution will do this automatically, but for processors with no out-of-order capabilities we have to do this overlapping explicitly.

The interleaving of floating point operations works perfectly here: The 2 clock stall between `FMUL` and `FSUBR` is filled with the `FSTP` of the previous result. The 3 clock stall between `FSUBR` and `FSTP` is filled with the loop overhead and the first two instructions of the next operation. An address generation interlock (AGI) stall has been avoided by reading the only parameter that doesn't depend on the index counter in the first clock cycle after the index has been incremented.

This solution takes 6 clock cycles per iteration, which is better than unrolled solutions published elsewhere.

12.17 Macro loops

If the repetition count for a loop is small and constant, then it is possible to unroll the loop completely. The advantage of this is that calculations that depend only on the loop counter can be done at assembly time rather than at execution time. The disadvantage is, of course, that it takes up more space in the code cache if the repeat count is high.

The MASM syntax includes a powerful macro language with full support of meta-programming, which can be quite useful. Other assemblers have similar capabilities, but the syntax is different.

If, for example, we need a list of square numbers, then the C++ code may look like this:

```
// Example 12.12a. Loop to make list of squares
int squares[10];
for (int i = 0; i < 10; i++) squares[i] = i*i;
```

The same list can be generated by a macro loop in MASM language:

```
; Example 12.12b. Macro loop to produce data
.DATA
squares LABEL DWORD      ; label at start of array
I = 0                    ; temporary counter
REPT 10                  ; repeat 10 times
    DD I * I             ; define one array element
    I = I + 1            ; increment counter
ENDM                     ; end of REPT loop
```

Here, `I` is a preprocessing variable. The `I` loop is run at assembly time, not at execution time. The variable `I` and the statement `I = I + 1` never make it into the final code, and hence take no time to execute. In fact, example 12.12b generates no executable code, only data. The macro preprocessor will translate the above code to:

```
; Example 12.12c. Results of macro loop expansion
squares LABEL DWORD      ; label at start of array
DD 0
DD 1
DD 4
DD 9
DD 16
DD 25
DD 36
DD 49
DD 64
DD 81
```


Macro loops are also useful for generating code. The next example calculates x^n , where x is a floating point number and n is a positive integer. This is done most efficiently by repeatedly squaring x and multiplying together the factors that correspond to the binary digits in n . The algorithm can be expressed by the C++ code:

```
// Example 12.13a. Calculate pow(x,n) where n is a positive integer
double x, xp, power;
unsigned int n, i;
xp = x; power = 1.0;
for (i = n; i != 0; i >>= 1) {
    if (i & 1) power *= xp;
    xp *= xp;
}
```

If n is known at assembly time, then the power function can be implemented using the following macro loop:

```
; Example 12.13b.
; This macro will raise a double-precision float in X
; to the power of N, where N is a positive integer constant.
; The result is returned in Y. X and Y must be two different
; XMM registers. X is not preserved.
; (Only for processors with SSE2)
INTPOWER MACRO X, Y, N
    LOCAL I, YUSED                ; define local identifiers
    I = N                          ; I used for shifting N
    YUSED = 0                       ; remember if Y contains valid data
    REPT 32                          ; maximum repeat count is 32
        IF I AND 1                  ; test bit 0
            IF YUSED                ; If Y already contains data
                mulsd Y, X           ; multiply Y with a power of X
            ELSE                     ; If this is first time Y is used:
                movsd Y, X           ; copy data to Y
                YUSED = 1           ; remember that Y now contains data
            ENDIF                   ; end of IF YUSED
        ENDIF                       ; end of IF I AND 1
        I = I SHR 1                 ; shift right I one place
        IF I EQ 0                   ; stop when I = 0
            EXITM                   ; exit REPT 32 loop prematurely
        ENDIF                       ; end of IF I EQ 0
        mulsd X, X                  ; square X
    ENDM                             ; end of REPT 32 loop
ENDM                                ; end of INTPOWER macro definition
```

This macro generates the minimum number of instructions needed to do the job. There is no loop overhead, prolog or epilog in the final code. And, most importantly, no branches. All branches have been resolved by the macro preprocessor. To calculate `xmm0` to the power of 12, you write:

```
; Example 12.13c. Macro invocation
INTPOWER xmm0, xmm1, 12
```

This will be expanded to:

```
; Example 12.13d. Result of macro expansion
mulsd xmm0, xmm0                ; x^2
mulsd xmm0, xmm0                ; x^4
movsd xmm1, xmm0                ; save x^4
mulsd xmm0, xmm0                ; x^8
mulsd xmm1, xmm0                ; x^4 * x^8 = x^12
```

This even has fewer instructions than an optimized assembly loop without unrolling. The macro can also work on vectors when `mulsd` is replaced by `mulpd` and `movsd` is replaced by `movapd`.

13 Vector programming

Since there are technological limits to the maximum clock frequency of microprocessors, the trend goes towards increasing processor throughput by handling multiple data in parallel.

When optimizing code, it is important to consider if there are data that can be handled in parallel. The principle of Single-Instruction-Multiple-Data (SIMD) programming is that a vector or set of data are packed together in one large register and handled together in one operation. There are many hundred different SIMD instructions available. These instructions are listed in "IA-32 Intel Architecture Software Developer's Manual" vol. 2A and 2B, and in "AMD64 Architecture Programmer's Manual", vol. 4.

Multiple data can be packed into 64-bit MMX registers, 128-bit XMM registers or 256-bit YMM registers in the following ways:

data type	data per pack	register size	instruction set
8-bit integer	8	64 bit (MMX)	MMX
16-bit integer	4	64 bit (MMX)	MMX
32-bit integer	2	64 bit (MMX)	MMX
64-bit integer	1	64 bit (MMX)	SSE2
32-bit float	2	64 bit (MMX)	3DNow (obsolete)
8-bit integer	16	128 bit (XMM)	SSE2
16-bit integer	8	128 bit (XMM)	SSE2
32-bit integer	4	128 bit (XMM)	SSE2
64-bit integer	2	128 bit (XMM)	SSE2
32-bit float	4	128 bit (XMM)	SSE
64-bit float	2	128 bit (XMM)	SSE2
8-bit integer	32	256 bit (YMM)	AVX2
16-bit integer	16	256 bit (YMM)	AVX2
32-bit integer	8	256 bit (YMM)	AVX2
64-bit integer	4	256 bit (YMM)	AVX2
32-bit float	8	256 bit (YMM)	AVX
64-bit float	4	256 bit (YMM)	AVX
32-bit integer	16	512 bit (YMM)	AVX512
64-bit integer	8	512 bit (YMM)	AVX512
32-bit float	16	512 bit (YMM)	AVX512
64-bit float	8	512 bit (YMM)	AVX512

Table 13.1. Vector types

The 64- and 128-bit packing modes are available on all newer microprocessors from Intel, AMD and VIA, except for the obsolete 3DNow mode, which is available only on older AMD processors. The 256-bit vectors are available in Intel Sandy Bridge and AMD Bulldozer. The 512-bit vectors are expected in 2015 or 2016. Whether the different instruction sets are supported on a particular microprocessor can be determined with the `CPUID` instruction, as explained on page 137. The 64-bit MMX registers cannot be used together with the x87 style floating point registers. The vector registers can only be used if supported by the operating system. See page 138 for how to check if the use of XMM and YMM registers is enabled by the operating system.

It is advantageous to choose the smallest data size that fits the purpose in order to pack as many data as possible into one vector register. Mathematical computations may require

double precision (64-bit) floats in order to avoid loss of precision in the intermediate calculations, even if single precision is sufficient for the final result.

Before you choose to use vector instructions, you have to consider whether the resulting code will be faster than the simple instructions without vectors. With vector code, you may spend more instructions on trivial things such as moving data into the right positions in the registers and emulating conditional moves, than on the actual calculations. Example 13.5 below is an example of this. Vector instructions are relatively slow on older processors, but the newest processors can do a vector calculation just as fast as a scalar (single) calculation in many cases.

For floating point calculations, it is often advantageous to use XMM registers rather than x87 registers, even if there are no opportunities for handling data in parallel. The XMM registers are handled in a more straightforward way than the old x87 register stack.

Memory operands for XMM instructions without VEX prefix have to be aligned by 16. Memory operands for YMM instructions are preferably aligned by 32 and ZMM by 64, but not necessarily. See page 86 for how to align data in memory.

Most common arithmetic and logical operations can be performed in vector registers. The following example illustrates the addition of two arrays:

```
; Example 13.1a. Adding two arrays using vectors
; float a[100], b[100], c[100];
; for (int i = 0; i < 100; i++) a[i] = b[i] + c[i];
; Assume that a, b and c are aligned by 16
L:   xor     ecx, ecx           ; Loop counter i
     movaps xmm0, b[ecx]      ; Load 4 elements from b
     addps  xmm0, c[ecx]      ; Add 4 elements from c
     movaps a[ecx], xmm0      ; Store result in a
     add   ecx, 16            ; 4 elements * 4 bytes = 16
     cmp   ecx, 400           ; 100 elements * 4 bytes = 400
     jb    L                  ; Loop
```

There are no instructions for integer division. Integer division by a constant divisor can be implemented as multiplication and shift, using the method described on page 142 or the functions in the library at www.agner.org/optimize/asmlib.zip.

13.1 Conditional moves in SIMD registers

Consider this C++ code which finds the biggest values in four pairs of values:

```
// Example 13.2a. Loop to find maximums
float a[4], b[4], c[4];
for (int i = 0; i < 4; i++) {
    c[i] = a[i] > b[i] ? a[i] : b[i];
}
```

If we want to implement this code with XMM registers then we cannot use a conditional jump for the branch inside the loop because the branch condition is not the same for all four elements. Fortunately, there is a maximum instruction that does the same:

```
; Example 13.2b. Maximum in XMM
movaps  xmm0, [a]           ; Load a vector
maxps   xmm0, [b]           ; max(a,b)
movaps  [c], xmm0           ; c = a > b ? a : b
```

Minimum and maximum vector instructions exist for single and double precision floats and for 8-bit and 16-bit integers. The absolute value of floating point vector elements is calculated by AND'ing out the sign bit, as shown in example 13.8 page 125. Instructions for

the absolute value of integer vector elements exist in the "Supplementary SSE3" instruction set. The integer saturated addition vector instructions (e.g. `PADDSSW`) can also be used for finding maximum or minimum or for limiting values to a specific range.

These methods are not very general, however. The most general way of doing conditional moves in vector registers is to use Boolean vector instructions. The following example is a modification of the above example where we cannot use the `MAXPS` instruction:

```
// Example 13.3a. Branch in loop
float a[4], b[4], c[4], x[4], y[4];
for (int i = 0; i < 4; i++) {
    c[i] = x[i] > y[i] ? a[i] : b[i];
}
```

The necessary conditional move is done by making a mask that consists of all 1's when the condition is true and all 0's when the condition is false. `a[i]` is AND'ed with this mask and `b[i]` is AND'ed with the inverted mask:

```
; Example 13.3b. Conditional move in XMM registers
movaps    xmm1, [y]        ; Load y vector
cmltps    xmm1, [x]        ; Compare with x. xmm1 = mask for y < x
movaps    xmm0, [a]        ; Load a vector
andps     xmm0, xmm1       ; a AND mask
andnps    xmm1, [b]        ; b AND NOT mask
orps      xmm0, xmm1       ; (a AND mask) OR (b AND NOT mask)
movaps    [c], xmm0        ; c = x > y ? a : b
```

The vectors that make the condition (`x` and `y` in example 13.3b) and the vectors that are selected (`a` and `b` in example 13.3b) need not be the same type. For example, `x` and `y` could be integers. But they should have the same number of elements per vector. If `a` and `b` are `double`'s with two elements per vector, and `x` and `y` are 32-bit integers with four elements per vector, then we have to duplicate each element in `x` and `y` in order to get the right size of the mask (See example 13.5b below).

Note that the AND-NOT instruction (`andnps`, `andnpd`, `pandn`) inverts the destination operand, not the source operand. This means that it destroys the mask. Therefore we must have `andps` before `andnps` in example 13.3b. If SSE4.1 is supported then we can use the `BLENDVPS` instruction instead:

```
; Example 13.3c. Conditional move in XMM registers, using SSE4.1
movaps    xmm0, [y]        ; Load y vector
cmltps    xmm0, [x]        ; Compare with x. xmm0 = mask for y < x
movaps    xmm1, [a]        ; Load a vector
blendvps  xmm1, [b], xmm0 ; Blend a and b
movaps    [c], xmm0        ; c = x > y ? a : b
```

If the mask is needed more than once then it may be more efficient to AND the mask with an XOR combination of `a` and `b`. This is illustrated in the next example which makes a conditional swapping of `a` and `b`:

```
// Example 13.4a. Conditional swapping in loop
float a[4], b[4], x[4], y[4], temp;
for (int i = 0; i < 4; i++) {
    if (x[i] > y[i]) {
        temp = a[i];          // Swap a[i] and b[i] if x[i] > y[i]
        a[i] = b[i];
        b[i] = temp;
    }
}
```

And now the assembly code using XMM vectors:

```
; Example 13.4b. Conditional swapping in XMM registers, SSE
movaps   xmm2, [y]           ; Load y vector
cmpltps  xmm2, [x]           ; Compare with x. xmm2 = mask for y < x
movaps   xmm0, [a]           ; Load a vector
movaps   xmm1, [b]           ; Load b vector
xorps    xmm0, xmm1          ; a XOR b
andps    xmm2, xmm0          ; (a XOR b) AND mask
xorps    xmm1, xmm2          ; b XOR ((a XOR b) AND mask)
xorps    xmm2, xmm1          ; a XOR ((a XOR b) AND mask)
xorps    xmm1, xmm2          ; a XOR ((a XOR b) AND mask)
movaps   [b], xmm1           ; (x[i] > y[i]) ? a[i] : b[i]
movaps   [a], xmm2           ; (x[i] > y[i]) ? b[i] : a[i]
```

The `xorps xmm0,xmm1` instruction generates a pattern of the bits that differ between `a` and `b`. This bit pattern is AND'ed with the mask so that `xmm2` contains the bits that need to be changed if `a` and `b` should be swapped, and zeroes if they should not be swapped. The last two `xorps` instructions flip the bits that have to be changed if `a` and `b` should be swapped and leave the values unchanged if not.

The mask used for conditional moves can also be generated by copying the sign bit into all bit positions using the arithmetic shift right instruction `psrad`. This is illustrated in the next example where vector elements are raised to different integer powers. We are using the method in example 12.13a page 113 for calculating powers.

```
// Example 13.5a. Raise vector elements to different integer powers
double x[2], y[2]; unsigned int n[2];
for (int i = 0; i < 2; i++) {
    y[i] = pow(x[i],n[i]);
}
```

If the elements of `n` are equal then the simplest solution is to use a branch. But if the powers are different then we have to use conditional moves:

```
; Example 13.5b. Raise vector to power, using integer mask, SSE2
.data
align 16
ONE DQ 1.0, 1.0
X DQ ?, ?
Y DQ ?, ?
N DD ?, ?

.code
; register use:
; xmm0 = xp
; xmm1 = power
; xmm2 = i (i0 and i1 each stored twice as DWORD integers)
; xmm3 = 1.0 if not(i & 1)
; xmm4 = xp if (i & 1)

movq    xmm2, [N]           ; Load n0, n1
punpckldq xmm2, xmm2       ; Copy to get n0, n0, n1, n1
movapd  xmm0, [X]           ; Load x0, x1
movapd  xmm1, [one]         ; power initialized to 1.0
mov     eax, [N]             ; n0
or      eax, [N+4]          ; n0 OR n1 to get highest significant bit
xor     ecx, ecx             ; 0 if n0 and n1 are both zero
bsr    ecx, eax             ; Compute repeat count for max(n0,n1)

L1: movdqa xmm3, xmm2       ; Copy i
pslld  xmm3, 31             ; Get least significant bit of i
psrad  xmm3, 31             ; Copy to all bit positions to make mask
```

```

psrld    xmm2, 1        ; i >>= 1
movapd   xmm4, xmm0    ; Copy of xp
andpd    xmm4, xmm3    ; xp if bit = 1
andnpd   xmm3, [one]   ; 1.0 if bit = 0
orpd     xmm3, xmm4    ; (i & 1) ? xp : 1.0
mulpd    xmm1, xmm3    ; power *= (i & 1) ? xp : 1.0
mulpd    xmm0, xmm0    ; xp *= xp
sub      ecx, 1        ; Loop counter
jns      L1            ; Repeat ecx+1 times
movapd   [Y], xmm1     ; Store result

```

The repeat count of the loop is calculated separately outside the loop in order to reduce the number of instructions inside the loop.

Timing analysis for example 13.5b in P4E: There are four continued dependency chains: `xmm0`: 7 clocks, `xmm1`: 7 clocks, `xmm2`: 4 clocks, `ecx`: 1 clock. Throughput for the different execution units: MMX-SHIFT: 3 μ ops, 6 clocks. MMX-ALU: 3 μ ops, 6 clocks. FP-MUL: 2 μ ops, 4 clocks. Throughput for port 1: 8 μ ops, 8 clocks. Thus, the loop appears to be limited by port 1 throughput. The best timing we can hope for is 8 clocks per iteration which is the number of μ ops that must go to port 1. However, three of the continued dependency chains are interconnected by two broken, but quite long, dependency chains involving `xmm3` and `xmm4`, which take 23 and 19 clocks, respectively. This tends to hinder the optimal reordering of μ ops. The measured time is approximately 10 μ ops per iteration. This timing actually requires a quite impressive reordering capability, considering that several iterations must be overlapped and several dependency chains interwoven in order to satisfy the restrictions on all ports and execution units.

Conditional moves in general purpose registers using `CMOVCc` and floating point registers using `FCMOVCc` are no faster than in XMM registers.

On processors with the SSE4.1 instruction set we can use the `PBLENDVB`, `BLENDVPS` or `BLENDVPD` instructions instead of the AND/OR operations as in example 13.3c above. On AMD processors with the XOP instruction set we may alternatively use the `VPCMOV` instruction in the same way.

13.2 Using vector instructions with other types of data than they are intended for

Most XMM, YMM and ZMM instructions are 'typed' in the sense that they are intended for a particular type of data. For example, it doesn't make sense to use an instruction for adding integers on floating point data. But instructions that only move data around will work with any type of data even though they are intended for one particular type of data. This can be useful if an equivalent instruction doesn't exist for the type of data you have or if an instruction for another type of data is more efficient.

All vector instructions that move, shuffle, blend or shift data as well as the Boolean instructions can be used for other types of data than they are intended for. But instructions that do any kind of arithmetic operation, type conversion or precision conversion can only be used for the type of data it is intended for. For example, the `FLD` instruction does more than move floating point data, it also converts to a different precision. If you try to use `FLD` and `FSTP` for moving integer data then you may get exceptions for denormal operands in case the integer data do not happen to represent a normal floating point number. The instruction may even change the value of the data in some cases. But the instruction `MOVAPS`, which is also intended for moving floating point data, does not convert precision or anything else. It just moves the data. Therefore, it is OK to use `MOVAPS` for moving integer data.

If you are in doubt whether a particular instruction will work with any type of data then check the software manual from Intel or AMD. If the instruction can generate any kind of "floating point exception" then it should not be used for any other kind of data than it is intended for.

There is a penalty for using the wrong type of instructions on some processors. This is because the processor may have different data buses or different execution units for integer and floating point data. Moving data between the integer and floating point units can take one or more clock cycles depending on the processor, as listed in table 13.2.

Processor	Bypass delay, clock cycles
Intel Core 2 and earlier	1
Intel Nehalem	2
Intel Sandy Bridge and later	0-1
Intel Atom	0
AMD	2
VIA Nano	2-3

Table 13.2. Data bypass delays between integer and floating point execution units

On Intel Core 2 and earlier Intel processors, some floating point instructions are executed in the integer units. This includes XMM move instructions, Boolean, and some shuffle and pack instructions. These instructions have a bypass delay when mixed with instructions that use the floating point unit. On most other processors, the execution unit used is in accordance with the instruction name, e.g. `MOVAPS XMM1, XMM2` uses the floating point unit, `MOVDQA XMM1, XMM2` uses the integer unit.

Instructions that read or write memory use a separate unit. The bypass delay from the memory unit to the floating point unit may be longer than to the integer unit on some processors, but it doesn't depend on the type of the instruction. Thus, there is no difference in latency between `MOVAPS XMM0, [MEM]` and `MOVDQA XMM0, [MEM]` on current processors, but it cannot be ruled out that there will be a difference on future processors.

More details about the execution units of the different processors can be found in manual 3 "The microarchitecture of Intel, AMD and VIA CPUs". Manual 4: "Instruction tables" has lists of all instructions, indicating which execution units they use.

Using an instruction of a wrong type can be advantageous in cases where there is no bypass delay and in cases where throughput is more important than latency. Some cases are described below.

Using the shortest instruction

The instructions for packed single precision floating point numbers, with names ending in `PS`, are one byte shorter than equivalent instructions for double precision or integers. For example, you may use `MOVAPS` instead of `MOVAPD` or `MOVDQA` for moving data to or from memory or between registers. A bypass delay occurs in some processors when using `MOVAPS` for moving the result of an integer instruction to another register, but not when moving data to or from memory.

Using the most efficient instruction

An efficient way of setting a vector register to zero is `PXOR XMM0, XMM0`. Many processors recognize this instruction as being independent of the previous value of `XMM0`, while not all processors recognize the same for `XORPS` and `XORPD`. The `PXOR` instruction is therefore preferred for setting a register to zero.

The integer versions of the Boolean vector instructions (`PAND`, `PANDN`, `POR`, `PXOR`) can use more different execution units than the floating point equivalents (`ANDPS`, etc.) on some AMD and Intel processors.

Using an instruction that is not available for other types of data

There are many situations where it is advantageous to use an instruction intended for a different type of data simply because an equivalent instruction doesn't exist for the type of data you have.

The instructions for single precision float vectors are available in the SSE instruction set, while the equivalent instructions for double precision and integers require the SSE2 instruction set. Using [MOVAPS](#) instead of [MOVAPD](#) or [MOVDQA](#) for moving data makes the code compatible with processors that have SSE but not SSE2.

There are many useful instructions for data shuffling and blending that are available for only one type of data. These instructions can easily be used for other types of data than they are intended for. The bypass delay, if any, may be less than the cost of alternative solutions. The data shuffling instructions are listed in the next paragraph.

13.3 Shuffling data

Vectorized code sometimes needs a lot of instructions for swapping and copying vector elements and putting data into the right positions in the vectors. The need for these extra instructions reduces the advantage of using vector operations. It may be an advantage to use a shuffling instruction that is intended for a different type of data than you have, as explained in the previous paragraph. Some instructions that are useful for data shuffling are listed below.

Moving data between different elements of a register (Use same register for source and destination)

Instruction	Block size, bits	Description	Instruction set
PSHUFD	32	Universal shuffle	SSE2
PSHUFLW	16	Shuffles low half of register only	SSE2
PSHUFHW	16	Shuffles high half of register only	SSE2
SHUFPS	32	Shuffle	SSE
SHUFPD	64	Shuffle	SSE2
PSLLDQ	8	Shifts to a different position and sets the original position to zero	SSE2
PSHUFB	8	Universal shuffle	Suppl. SSE3
PALIGNR	8	Rotate vector of 8 or 16 bytes	Suppl. SSE3

Table 13.3. Shuffle instructions

Moving data from one register to different elements of another register

Instruction	Block size, bits	Description	Instruction set
PSHUFD	32	Universal shuffle	SSE2
PSHUFLW	16	Shuffles low half of register only	SSE2
PSHUFHW	16	Shuffles high half of register only	SSE2
PINSRB	8	Insert byte into vector	SSE4.1
PINSRW	16	Insert word into vector	SSE
PINSRD	32	Insert dword into vector	SSE4.1
PINSRQ	64	Insert qword into vector	SSE4.1
INSERTPS	32	Insert dword into vector	SSE4.1
VPERMILPS	32	Shuffle with variable selector	AVX
VPERMILPD	64	Shuffle with variable selector	AVX
VPPERM	8	Shuffle with variable selector	AMD XOP

Table 13.4. Move-and-shuffle instructions**Combining data from two different sources**

Instruction	Block size, bits	Description	Instruction set
SHUFPS	32	Lower 2 dwords from any position of destination higher 2 dwords from any position of source	SSE
SHUFPD	64	Low qword from any position of destination high qword from any position of source	SSE2
MOVLPS/D	64	Low qword from memory, high qword unchanged	SSE/SSE2
MOVHPS/D	64	High qword from memory, low qword unchanged	SSE/SSE2
MOVLHPS	64	Low qword unchanged, high qword from low of source	SSE
MOVHLPS	64	Low qword from high of source, high qword unchanged	SSE
MOVSS	32	Lowest dword from source (register only), bits 32-127 unchanged	SSE
MOVSD	64	Low qword from source (register only), high qword unchanged	SSE2
PUNPCKLBW	8	Low 8 bytes from source and destination interleaved	SSE2
PUNPCKLWD	16	Low 4 words from source and destination interleaved	SSE2
PUNPCKLDQ	32	Low 2 dwords from source and destination interleaved	SSE2
PUNPCKLQDQ	64	Low qword unchanged, high qword from low of source	SSE2
PUNPCKHBW	8	High 8 bytes from source and destination interleaved	SSE2
PUNPCKHWD	16	High 4 words from source and destination interleaved	SSE2
PUNPCKHDQ	32	High 2 dwords from source and destination interleaved	SSE2
PUNPCKHQDQ	64	Low qword from high of destination, high qword from high of source	SSE2
PACKUSWB	8	Low 8 bytes from 8 words of destination, high 8 bytes from 8 words of source. Converted with unsigned saturation.	SSE2
PACKSSWB	8	Low 8 bytes from 8 words of destination, high 8 bytes from 8 words of source. Converted with signed saturation.	SSE2
PACKSSDW	16	Low 4 words from 4 dwords of destination, high 4 words from 4 dwords of source. Converted with signed saturation.	SSE2
MOVQ	64	Low qword from source, high qword set to zero	SSE2
PINSRB	8	Insert byte into vector	SSE4.1
PINSRW	16	Insert word into vector	SSE
PINSRD	32	Insert dword into vector	SSE4.1
INSERTPS	32	Insert dword into vector	SSE4.1
PINSRQ	64	Insert qword into vector	SSE4.1
VINSERTF128	128	Insert xmmword into vector	AVX
PBLENDW	16	Blend from two different sources	SSE4.1
BLENDPS	32	Blend from two different sources	SSE4.1

BLENDPD	64	Blend from two different sources	SSE4.1
PBLENDVB	8	Multiplexer	SSE4.1
BLENDVPS	32	Multiplexer	SSE4.1
BLENDVDP	64	Multiplexer	SSE4.1
VPCMOV	1	Multiplexer	AMD XOP
PALIGNR	8	Double shift (analogous to SHRD)	Suppl. SSE3

Table 13.5. Combine data

**Copying data to multiple elements of a register (broadcast)
(Use same register for source and destination)**

Instruction	Block size, bits	Description	Instruction set
PSHUFD	32	Broadcast any dword	SSE2
SHUFPS	32	Broadcast dword	SSE
SHUFPD	64	Broadcast qword	SSE2
MOVLHPS	64	Broadcast qword	SSE2
MOVHLPS	64	Broadcast high qword	SSE2
MOVDDUP	64	Broadcast qword	SSE3
MOVSLDUP	32	Copy dword 0 to 1, copy dword 2 to 3	SSE3
MOVSHDUP	32	Copy dword 1 to 0, copy dword 3 to 2	SSE3
PUNPCKLBW	8	Duplicate each of the lower 8 bytes	SSE2
PUNPCKLWD	16	Duplicate each of the lower 4 words	SSE2
PUNPCKLDQ	32	Duplicate each of the lower 2 dwords	SSE2
PUNPCKLQDQ	64	Broadcast qword	SSE2
PUNPCKHBW	8	Duplicate each of the higher 8 bytes	SSE2
PUNPCKHWD	16	Duplicate each of the higher 4 words	SSE2
PUNPCKHDQ	32	Duplicate each of the higher 2 dwords	SSE2
PUNPCKHQDQ	64	Broadcast high qword	SSE2
PSHUFB	8	Broadcast any byte or larger element	Suppl. SSE3

Table 13.6. Broadcast data

**Copy data from one register or memory to all elements of another register
(broadcast)**

Instruction	Block size, bits	Description	Instruction set
PSHUFD xmm2, xmm1, 0	32	broadcast dword	SSE2
PSHUFD xmm2, xmm1, 0EEH	64	broadcast qword	SSE2
MOVDDUP	64	broadcast qword	SSE3
MOVSLDUP	32	2 copies of each of dword 0 and 2	SSE3
MOVSHDUP	32	2 copies of each of dword 1 and 3	SSE3
VBROADCASTSS	32	broadcast dword from memory	AVX
VBROADCASTSD	64	broadcast qword from memory	AVX
VBROADCASTF128	128	broadcast 16 bytes from memory	AVX
VPBROADCASTB	8	broadcast byte from register or memory	AVX2
VPBROADCASTW	16	broadcast word from register or memory	AVX2
VPBROADCASTD	32	broadcast dword from register or memory	AVX2
VPBROADCASTQ	64	broadcast qword from register or memory	AVX2

Table 13.7. Move and broadcast data

Merge data from different memory locations into one vector (gather)

Instruction	Block size, bits	Description	Instruction set
VPGATHERDD	32	gather dwords with dword indices	AVX2
VPGATHERQD	32	gather dwords with qword indices	AVX2
VPGATHERDQ	64	gather qwords with dword indices	AVX2
VPGATHERQQ	64	gather qwords with qword indices	AVX2
VGATHERDPS	32	gather dwords with dword indices	AVX2
VGATHERQPS	32	gather dwords with qword indices	AVX2
VGATHERDPD	64	gather qwords with dword indices	AVX2
VGATHERQPD	64	gather qwords with qword indices	AVX2

Table 13.8. Gather instructions

Vectorized table lookup

Instruction	Block size, bits	Index size, bits	Description	Instruction set
PSHUFB	8	8	16 bytes table in register	SSSE3
VPPERM	8	8	32 bytes table in two registers	AMD XOP
VPGATHERDD	32	32	table in memory	AVX2
VPGATHERQD	32	64	table in memory	AVX2
VPGATHERDQ	64	32	table in memory	AVX2
VPGATHERQQ	64	64	table in memory	AVX2
VGATHERDPS	32	32	table in memory	AVX2
VGATHERQPS	32	64	table in memory	AVX2
VGATHERDPD	64	32	table in memory	AVX2
VGATHERQPD	64	64	table in memory	AVX2

Table 13.9. Vectorized table lookup

Example: Horizontal addition

The following examples show how to add all elements of a vector

```

; Example 13.6a. Add 16 elements in vector of 8-bit unsigned integers
; (SSE2)
movaps    xmm1, [source] ; Source vector, 16 8-bit unsigned integers
pxor     xmm0, xmm0      ; 0
psadbw   xmm1, xmm0      ; Sum of 8 differences
pshufd   xmm0, xmm1, 0EH ; Get bit 64-127 from xmm1
padd     xmm0, xmm1      ; Sum
movd     [sum], xmm0     ; Store sum

```

```

; Example 13.6b. Add eight elements in vector of 16-bit integers
; (SUPPL. SSE3)
movaps    xmm0, [source] ; Source vector, 8 16-bit integers
phaddw   xmm0, xmm0
phaddw   xmm0, xmm0
phaddw   xmm0, xmm0
movq     [sum], xmm0     ; Store sum

```

```

; Example 13.6c. Add eight elements in vector of 32-bit integers
; (AVX)
vmovaps   ymm0, [source] ; Source vector, 8 32-bit floats
vextractf128 xmm1, ymm0, 1 ; Get upper half
vaddps   xmm0, xmm0, xmm1 ; Add
vhaddps  xmm0, xmm0, xmm0
vhaddps  xmm0, xmm0, xmm0

```

```
vmovsd [sum],xmm0 ; Store sum
```

13.4 Generating constants

There is no instruction for moving a constant into an XMM register. The default way of putting a constant into an XMM register is to load it from a memory constant. This is also the most efficient way if cache misses are rare. But if cache misses are frequent then we may look for alternatives.

One alternative is to copy the constant from a static memory location to the stack outside the innermost loop and use the stack copy inside the innermost loop. A memory location on the stack is less likely to cause cache misses than a memory location in a constant data segment. However, this option may not be possible in library functions.

A second alternative is to store the constant to stack memory using integer instructions and then load the value from the stack memory to the XMM register.

A third alternative is to generate the constant by clever use of various instructions. This does not use the data cache but takes more space in the code cache. The code cache is less likely to cause cache misses because the code is contiguous.

The constants may be reused many times as long as the register is not needed for something else.

The table 13.10 below shows how to make various integer constants in XMM registers. The same value is generated in all cells in the vector:

Making constants for integer vectors in XMM registers

Value	8 bit	16 bit	32 bit	64 bit
0	<code>pxor xmm0,xmm0</code>	<code>pxor xmm0,xmm0</code>	<code>pxor xmm0,xmm0</code>	<code>pxor xmm0,xmm0</code>
1	<code>pcmpeqw xmm0,xmm0</code> <code>psrlw xmm0,15</code> <code>packuswb xmm0,xmm0</code>	<code>pcmpeqw xmm0,xmm0</code> <code>psrlw xmm0,15</code>	<code>pcmpeqd xmm0,xmm0</code> <code>psrld xmm0,31</code>	<code>pcmpeqw xmm0,xmm0</code> <code>psrlq xmm0,63</code>
2	<code>pcmpeqw xmm0,xmm0</code> <code>psrlw xmm0,15</code> <code>psllw xmm0,1</code> <code>packuswb xmm0,xmm0</code>	<code>pcmpeqw xmm0,xmm0</code> <code>psrlw xmm0,15</code> <code>psllw xmm0,1</code>	<code>pcmpeqd xmm0,xmm0</code> <code>psrld xmm0,31</code> <code>pslld xmm0,1</code>	<code>pcmpeqw xmm0,xmm0</code> <code>psrlq xmm0,63</code> <code>psllq xmm0,1</code>
3	<code>pcmpeqw xmm0,xmm0</code> <code>psrlw xmm0,14</code> <code>packuswb xmm0,xmm0</code>	<code>pcmpeqw xmm0,xmm0</code> <code>psrlw xmm0,14</code>	<code>pcmpeqd xmm0,xmm0</code> <code>psrld xmm0,30</code>	<code>pcmpeqw xmm0,xmm0</code> <code>psrlq xmm0,62</code>
4	<code>pcmpeqw xmm0,xmm0</code> <code>psrlw xmm0,15</code> <code>psllw xmm0,2</code> <code>packuswb xmm0,xmm0</code>	<code>pcmpeqw xmm0,xmm0</code> <code>psrlw xmm0,15</code> <code>psllw xmm0,2</code>	<code>pcmpeqd xmm0,xmm0</code> <code>psrld xmm0,31</code> <code>pslld xmm0,2</code>	<code>pcmpeqw xmm0,xmm0</code> <code>psrlq xmm0,63</code> <code>psllq xmm0,2</code>
-1	<code>pcmpeqw xmm0,xmm0</code>	<code>pcmpeqw xmm0,xmm0</code>	<code>pcmpeqd xmm0,xmm0</code>	<code>pcmpeqw xmm0,xmm0</code>
-2	<code>pcmpeqw xmm0,xmm0</code> <code>psllw xmm0,1</code> <code>packsswb xmm0,xmm0</code>	<code>pcmpeqw xmm0,xmm0</code> <code>psllw xmm0,1</code>	<code>pcmpeqd xmm0,xmm0</code> <code>pslld xmm0,1</code>	<code>pcmpeqw xmm0,xmm0</code> <code>psllq xmm0,1</code>
Other value	<code>mov eax,</code> <code>value*01010101H</code> <code>movd xmm0,eax</code> <code>pshufd xmm0,xmm0,0</code>	<code>mov eax,</code> <code>value*10001H</code> <code>movd xmm0,eax</code> <code>pshufd xmm0,xmm0,0</code>	<code>mov eax,value</code> <code>movd xmm0,eax</code> <code>pshufd xmm0,xmm0,0</code>	<code>mov rax,value</code> <code>movq xmm0,rax</code> <code>punpcklqdq xmm0,xmm0</code> (64 bit mode only)

Table 13.10. Generate integer vector constants

Table 13.11 below shows how to make various floating point constants in XMM registers. The same value is generated in one or all cells in the vector:

Making floating point constants in XMM registers

Value	scalar single	scalar double	vector single	vector double
-------	---------------	---------------	---------------	---------------

0.0	pxor xmm0,xmm0	pxor xmm0,xmm0	pxor xmm0,xmm0	pxor xmm0,xmm0
0.5	pcmpeqw xmm0,xmm0 pslld xmm0,26 psrld xmm0,2	pcmpeqw xmm0,xmm0 psllq xmm0,55 psrlq xmm0,2	pcmpeqw xmm0,xmm0 pslld xmm0,26 psrld xmm0,2	pcmpeqw xmm0,xmm0 psllq xmm0,55 psrlq xmm0,2
1.0	pcmpeqw xmm0,xmm0 pslld xmm0,25 psrld xmm0,2	pcmpeqw xmm0,xmm0 psllq xmm0,54 psrlq xmm0,2	pcmpeqw xmm0,xmm0 pslld xmm0,25 psrld xmm0,2	pcmpeqw xmm0,xmm0 psllq xmm0,54 psrlq xmm0,2
1.5	pcmpeqw xmm0,xmm0 pslld xmm0,24 psrld xmm0,2	pcmpeqw xmm0,xmm0 psllq xmm0,53 psrlq xmm0,2	pcmpeqw xmm0,xmm0 pslld xmm0,24 psrld xmm0,2	pcmpeqw xmm0,xmm0 psllq xmm0,53 psrlq xmm0,2
2.0	pcmpeqw xmm0,xmm0 pslld xmm0,31 psrld xmm0,1	pcmpeqw xmm0,xmm0 psllq xmm0,63 psrlq xmm0,1	pcmpeqw xmm0,xmm0 pslld xmm0,31 psrld xmm0,1	pcmpeqw xmm0,xmm0 psllq xmm0,63 psrlq xmm0,1
-2.0	pcmpeqw xmm0,xmm0 pslld xmm0,30	pcmpeqw xmm0,xmm0 psllq xmm0,62	pcmpeqw xmm0,xmm0 pslld xmm0,30	pcmpeqw xmm0,xmm0 psllq xmm0,62
sign bit	pcmpeqw xmm0,xmm0 pslld xmm0,31	pcmpeqw xmm0,xmm0 psllq xmm0,63	pcmpeqw xmm0,xmm0 pslld xmm0,31	pcmpeqw xmm0,xmm0 psllq xmm0,63
not sign bit	pcmpeqw xmm0,xmm0 psrld xmm0,1	pcmpeqw xmm0,xmm0 psrlq xmm0,1	pcmpeqw xmm0,xmm0 psrld xmm0,1	pcmpeqw xmm0,xmm0 psrlq xmm0,1
Other value (32 bit mode)	mov eax, value movd xmm0,eax	mov eax, value>>32 movd xmm0,eax psllq xmm0,32	mov eax, value movd xmm0,eax shufps xmm0,xmm0,0	mov eax, value>>32 movd xmm0,eax pshufd xmm0,xmm0,22H
Other value (64 bit mode)	mov eax, value movd xmm0,eax	mov rax, value movq xmm0,rax	mov eax, value movd xmm0,eax shufps xmm0,xmm0,0	mov rax, value movq xmm0,rax shufpd xmm0,xmm0,0

Table 13.11. Generate floating point vector constants

The "sign bit" is a value with the sign bit set and all other bits = 0. This is used for changing or setting the sign of a variable. For example to change the sign of a 2*double vector in `xmm0`:

```
; Example 13.7. Change sign of 2*double vector
pcmpeqw xmm7, xmm7      ; All 1's
psllq   xmm7, 63        ; Shift out the lower 63 1's
xorpd   xmm0, xmm7      ; Flip sign bit of xmm0
```

The "not sign bit" is the inverted value of "sign bit". It has the sign bit = 0 and all other bits = 1. This is used for getting the absolute value of a variable. For example to get the absolute value of a 2*double vector in `xmm0`:

```
; Example 13.8. Absolute value of 2*double vector
pcmpeqw xmm6, xmm6      ; All 1's
psrlq   xmm6, 1         ; Shift out the highest bit
andpd   xmm0, xmm6      ; Set sign bit to 0
```

Generating an arbitrary double precision value in 32-bit mode is more complicated. The method in table 13.11 uses only the upper 32 bits of the 64-bit representation of the number, assuming that the lower binary decimals of the number are zero or that an approximation is acceptable. For example, to generate the double value 9.25, we first use a compiler or assembler to find that the hexadecimal representation of 9.25 is 4022800000000000H. The lower 32 bits can be ignored, so we can do as follows:

```
; Example 13.9a. Set 2*double vector to arbitrary value (32 bit mode)
mov     eax, 40228000H   ; High 32 bits of 9.25
movd   xmm0, eax        ; Move to xmm0
pshufd xmm0, xmm0, 22H ; Get value into dword 1 and 3
```

In 64-bit mode, we can use 64-bit integer registers:

```

; Example 13.9b. Set 2*double vector to arbitrary value (64 bit mode)
mov     rax, 4022800000000000H ; Full representation of 9.25
movq   xmm0, rax             ; Move to xmm0
shufpd xmm0, xmm0, 0        ; Broadcast

```

Note that some assemblers use the very misleading name `movd` instead of `movq` for the instruction that moves 64 bits between a general purpose register and an XMM register.

13.5 Accessing unaligned data and partial vectors

All data that are read or written with vector registers should preferably be aligned by the vector size. See page 84 for how to align data.

Older processors have a penalty for accessing unaligned data, while modern processors handle unaligned data almost as fast as aligned data.

There are situations where alignment is not possible, for example if a library function receives a pointer to an array and it is unknown whether the array is aligned or not.

The following methods can be used for reading unaligned vectors:

Using unaligned read instructions

The instructions `MOVDQU`, `MOVUPS`, `MOVUPD` and `LDDQU` are all able to read unaligned vectors. `LDDQU` is faster than the alternatives on P4E and PM processors, but not on any later processors. The unaligned read instructions are relatively slow on older Intel processors and on Intel Atom, but fast on Nehalem and later Intel processors as well as on AMD and VIA processors.

```

; Example 13.10. Unaligned vector read
; esi contains pointer to unaligned array
movdqu xmm0, [esi]          ; Read vector unaligned

```

On contemporary processors, there is no penalty for using the unaligned instruction `MOVDQU` rather than the aligned `MOVDQA` if the data are in fact aligned. Therefore, it is convenient to use `MOVDQU` if you are not sure whether the data are aligned or not.

Using VEX-prefixed instructions

Instructions with VEX prefix allow unaligned memory operands while the same instructions without VEX prefix will generate an exception if the operand is not properly aligned:

```

; Example 13.11. VEX versus non-VEX access to unaligned data
movups xmm1, [esi]          ; unaligned operand must be read first
addps  xmm0, xmm1

; VEX prefix allows unaligned operand
vaddps xmm0, [esi]         ; unaligned operand allowed here

```

You should never mix VEX and non-VEX code if the 256-bit YMM registers are used. It is OK to mix AVX and AVX512 instructions, though. See chapter 13.6.

Splitting an unaligned read in two

Instructions that read 8 bytes or less have no alignment requirements and are often quite fast unless the read crosses a cache boundary. Example:

```

; Example 13.12. Unaligned 16 bytes read split in two
; esi contains pointer to unaligned array
movq   xmm0, qword ptr [esi] ; Read lower half of vector
movhps xmm0, qword ptr [esi+8] ; Read upper half of vector

```


This method is faster than using unaligned read instructions on older Intel processors, but not on Intel Nehalem and later Intel processors. There is no reason to use this method on newer processors from any vendor.

Partially overlapping reads

Make the first read from the unaligned address and the next read from the nearest following 16-bytes boundary. The first two reads will therefore possibly overlap:

```
; Example 13.13. First unaligned read overlaps next aligned read
; esi contains pointer to unaligned array
movdqu xmm1, [esi]           ; Read vector unaligned
add     esi, 10H
and     esi, -10H            ; = nearest following 16B boundary
movdqa xmm2, [esi]           ; Read next vector aligned
```

Here, the data in `xmm1` and `xmm2` will be partially overlapping if `esi` is not divisible by 16. This, of course, only works if the following algorithm allows the redundant data. The last vector read can also overlap with the last-but-one if the end of the array is not aligned.

Reading from the nearest preceding 16-bytes boundary

It is possible to start reading from the nearest preceding 16-bytes boundary of an unaligned array. This will put irrelevant data into part of the vector register, and these data must be ignored. Likewise, the last read may go past the end of the array until the next 16-bytes boundary:

```
; Example 13.14. Reading from nearest preceding 16-bytes boundary
; esi contains pointer to unaligned array
mov     eax, esi             ; Copy pointer
and     esi, -10H           ; Round down to value divisible by 16
and     eax, 0FH            ; Array is misaligned by this value
movdqa  xmm1, [esi]         ; Read from preceding 16B boundary
movdqa  xmm2, [esi+10H]     ; Read next block
```

In the above example, `xmm1` contains `eax` bytes of junk followed by $(16 - \text{eax})$ useful bytes. `xmm2` contains the remaining `eax` bytes of the vector followed by $(16 - \text{eax})$ bytes which are either junk or belonging to the next vector. The value in `eax` should then be used for masking out or ignoring the part of the register that contains junk data.

Here we are taking advantage of the fact that vector sizes, cache line sizes and memory page sizes are always powers of 2. The cache line boundaries and memory page boundaries will therefore coincide with vector boundaries. While we are reading some irrelevant data with this method, we will never load any unnecessary cache line, because cache lines are always aligned by some multiple of 16. There is therefore no cost to reading the irrelevant data. And, more importantly, we will never get a read fault for reading from non-existing memory addresses, because data memory is always allocated in pages of 4096 ($= 2^{12}$) bytes or more so the aligned vector read can never cross a memory page boundary.

An example using this method is shown in the `strlenSSE2.asm` example in the appendix www.agner.org/optimize/asmexamples.zip.

Combine two unaligned vector parts into one aligned vector

The above method can be extended by combining the valid parts of two registers into one full register. If `xmm1` in example 13.14 is shifted right by the unalignment value (`eax`) and `xmm2` is shifted left by $(16 - \text{eax})$ then the two registers can be combined into one vector containing only valid data.

Unfortunately, there is no instruction to shift a whole vector register right or left by a variable count (analogous to `shr eax,cl`) so we have to use a shuffle instruction. The next example uses a byte shuffle instruction, `PSHUFB`, with appropriate mask values for shifting a vector register right or left:

```

; Example 13.15. Combining two unaligned parts into one vector.
; (Supplementary-SSE3 instruction set required)

; This example takes the squareroot of n floats in an unaligned
; array src and stores the result in an aligned array dest.
; C++ code:
; const int n = 100;
; float * src;
; float dest[n];
; for (int i=0; i<n; i++) dest[i] = sqrt(src[i]);

; Define masks for using PSHUFB instruction as shift instruction:
; The 16 bytes from SMask[16+a] will shift right a bytes
; The 16 bytes from SMask[16-a] will shift left a bytes
.data
SMask label xmmword
    DB -1, -1, -1, -1, -1, -1, -1, -1, -1, -1, -1, -1, -1, -1, -1, -1
    DB 0, 1, 2, 3, 4, 5, 6, 7, 8, 9, 10, 11, 12, 13, 14, 15
    DB -1, -1, -1, -1, -1, -1, -1, -1, -1, -1, -1, -1, -1, -1, -1, -1
.code

    mov     esi, src           ; Unaligned pointer src
    lea    edi, dest         ; Aligned array dest
    mov    eax, esi
    and    eax, 0FH          ; Get misalignment, a
    movdqu xmm4, [SMask+10H+eax] ; Mask for shift right by a
    movdqu xmm5, [SMask+eax]   ; Mask for shift left by 16-a
    and    esi, -10H         ; Nearest preceding 16B boundary
    xor    ecx, ecx          ; Loop counter i = 0

L:   ; Loop
    movdqa xmm1, [esi+ecx]    ; Read from preceding boundary
    movdqa xmm2, [esi+ecx+10H] ; Read next block
    pshufb xmm1, xmm4         ; shift right by a
    pshufb xmm2, xmm5         ; shift left by 16-a
    por    xmm1, xmm2         ; combine blocks
    sqrtps xmm1, xmm1        ; compute four squareroots
    movaps [edi+ecx], xmm1    ; Save result aligned
    add    ecx, 10H          ; Loop to next four values
    cmp    ecx, 400          ; 4*n
    jb    L                  ; Loop

```

Align `SMask` by 64 if possible to avoid misaligned reads across a cache line boundary.

This method gets easier if the value of the misalignment (`eax`) is a known constant. We can use `PSRLDQ` and `PSSLLDQ` instead of `PSHUFB` for shifting the registers right and left. `PSRLDQ` and `PSSLLDQ` belong to the SSE2 instruction set, while `PSHUFB` requires supplementary-SSE3. The number of instructions can be reduced by using the `PALIGNR` instruction (Supplementary-SSE3) when the shift count is constant. Certain tricks with `MOVSS` or `MOVSD` are possible when the misalignment is 4, 8 or 12, as shown in example 13.16b below.

The fastest implementation has sixteen branches of code for each of the possible alignment values in `eax`. See the examples for `memcpy` and `memset` in the appendix www.agner.org/optimize/asmexamples.zip.

Combining unaligned vector parts from same array

Misalignment is inevitable when an operation is performed between two elements in the same array and the distance between the elements is not a multiple of the vector size. In the following C++ example, each array element is added to the preceding element:

```
// Example 13.16a. Add each array element to the preceding element
float x[100];
for (int i = 0; i < 99; i++) x[i] += x[i+1];
```

Here `x[i+1]` is inevitably misaligned relative to `x[i]`. We can still use the method of combining parts of two aligned vectors, and take advantage of the fact that the misalignment is a known constant, 4.

```
; Example 13.16b. Add each array element to the preceding element
xor    ecx, ecx                ; Loop counter i = 0
lea    esi, x                  ; Pointer to aligned array
movaps xmm0, [esi]            ; x3,x2,x1,x0
L:     ; Loop
movaps xmm2, xmm0              ; x3,x2,x1,x0
movaps xmm1, [esi+ecx+10H]     ; x7,x6,x5,x4
; Use trick with movss to combine parts of two vectors
movss  xmm2, xmm1              ; x3,x2,x1,x4
; Rotate right by 4 bytes
shufps xmm2, xmm2, 00111001B  ; x4,x3,x2,x1
addps  xmm0, xmm2              ; x3+x4,x2+x3,x1+x2,x0+x1
movaps [esi+ecx], xmm0        ; save aligned
movaps xmm0, xmm1              ; Save for next iteration
add    ecx, 16                 ; i += 4
cmp    ecx, 400-16            ; Repeat for 96 values
jb     L

; Do the last odd one:
L:     movaps xmm2, xmm0        ; x99,x98,x97,x96
xorps  xmm1, xmm1              ; 0,0,0,0
movss  xmm2, xmm1              ; x99,x98,x97,0
; Rotate right by 4 bytes
shufps xmm2, xmm2, 00111001B  ; 0,x99,x98,x97
addps  xmm0, xmm2              ; x99+0,x98+x99,x97+x98,x96+x97
movaps [esi+ecx], xmm0        ; save aligned
```

Now we have discussed several methods for reading unaligned vectors. Of course we also have to discuss how to write vectors to unaligned addresses. Some of the methods are virtually the same.

Using unaligned write instructions

The instructions `movdqu`, `movups`, and `movupd` are all able to write unaligned vectors. The unaligned write instructions are relatively slow on older Intel processors, but fast on Nehalem and later Intel processors as well as contemporary AMD and VIA processors.

```
; Example 13.17. Unaligned vector write
; edi contains pointer to unaligned array
movdqu [edi], xmm0            ; Write vector unaligned
```

Writing 8 bytes at a time

Instructions that write 8 bytes or less have no alignment requirements and are often quite fast unless the write crosses a cache line boundary. Example:

```
; Example 13.18. Unaligned vector read split in two
; edi contains pointer to unaligned array
movq   qword ptr [edi], xmm0   ; Write lower half of vector
movhps qword ptr [edi+8], xmm0 ; Write upper half of vector
```

This method is faster than using `MOVDQU` on older Intel processors, but not on Nehalem and later Intel processors or contemporary AMD and VIA Intel processors.

Partially overlapping writes

Make the first write to the unaligned address and the next write to the nearest following 16-bytes boundary. The first two writes will therefore possibly overlap:

```
; Example 13.19. First unaligned write overlaps next aligned write
; edi contains pointer to unaligned array
movdqu [edi], xmm1           ; Write vector unaligned
add    edi, 10H
and    edi, 0FH               ; = nearest following 16B boundary
movdqa [edi], xmm2           ; Write next vector aligned
```

Here, the data from `xmm1` and `xmm2` will be partially overlapping if `edi` is not divisible by 16. This, of course, only works if the algorithm can generate the overlapping data. The last vector write can also overlap with the last-but-one if the end of the array is not aligned. See the `memset` example in the appendix www.agner.org/optimize/asmexamples.zip.

Writing the beginning and the end separately

Use non-vector instructions for writing from the beginning of an unaligned array until the first 16-bytes boundary, and again from the last 16-bytes boundary to the end of the array. See the `memcpy` example in the appendix www.agner.org/optimize/asmexamples.zip.

Using masked write

The instruction `VPMASKMOVD` (AVX2) and `VMASKMOVPS` (AVX), etc. can be used for writing to the first part of an unaligned array up to the first 16-bytes boundary as well as the last part after the last 16-bytes boundary.

The non-VEX versions of the masked move instructions, such as `MASKMOVDQU` are extremely slow because they are bypassing the cache and writing to main memory (a so-called non-temporal write). The VEX versions are faster than the non-VEX versions on Intel processors, but not an AMD Bulldozer and Piledriver processors.

These instructions should definitely be avoided.

13.6 Using AVX instruction set and YMM registers

The AVX instruction set extends the 128-bit XMM registers to 256-bit YMM registers and supports floating point operations in 256-bit vectors. It is available in Intel Sandy Bridge and AMD Bulldozer and later processors. Further extensions to 512 or 1024 bits are likely in the future. The AVX2 instruction set also supports integer vector operations in the YMM registers.

Each XMM register forms the lower half of a YMM register. A YMM register can hold a vector of 8 single precision or 4 double precision floating point numbers. With AVX2 you can have four 64-bit integers, eight 32-bit integers, sixteen 16-bit integers or thirty two 8-bit integers in a YMM register.

Most AVX and AVX2 instructions allow three operands: one destination and two source operands. This has the advantage that no input register is overwritten by the result.

All the existing XMM instructions have two versions in the AVX instruction set. A legacy version which leaves the upper half (bit 128-255) of the target YMM register unchanged, and a VEX-prefix version which sets the upper half to zero in order to remove false

dependences. The VEX-prefix version has a V prefix to the name and in most cases three operands:

```
; Example 13.20. Legacy and VEX versions of the same instruction
addps  xmm1,xmm2      ; xmm1 = xmm1 + xmm2
vaddps xmm1,xmm2,xmm3 ; xmm1 = xmm2 + xmm3
```

If a code sequence contains both 128-bit and 256-bit instructions then it is important to use the VEX-prefix version of the 128-bit instructions. Mixing 256 bit instructions with legacy 128-bit instructions without VEX prefix will cause the processor to switch the register file between different states which will cost many clock cycles on Intel processors.

For the sake of compatibility with existing code, the register set has three different states:

- A. (Clean state). The upper half of all YMM registers is unused and known to be zero.
- B. (Modified state). The upper half of at least one YMM register is used and contains data.
- C. (Saved state). All YMM registers are split in two. The lower half is used by legacy XMM instructions which leave the upper part unchanged. All the upper-part halves are stored in a scratchpad. The two parts of each register will be joined together again if needed by a transition to state B.

Two instructions are available for the sake of fast transition between the states. `VZEROALL` which sets all YMM registers to zero, and `VZERoupper` which sets the upper half of all YMM registers to zero. Both instructions leave the processor in state A. The state transitions can be illustrated by the following state transition table:

Current state →	A	B	C
Instruction ↓			
VZEROALL / UPPER	A	A	A
XMM	A	C	C
VEX XMM	A	B	B
YMM	B	B	B

Table 13.12. YMM state transitions

State A is the neutral initial state. State B is needed when the full YMM registers are used. State C is needed for making legacy XMM code fast and free of false dependences when called from state B. A transition from state B to C is costly because all YMM registers must be split in two halves which are stored separately. A transition from state C to B is equally costly because all the registers have to be merged together again. A transition from state C to A is also costly because the scratchpad containing the upper part of the registers does not support out-of-order access and must be protected from speculative execution in possibly mispredicted branches. The transitions $B \rightarrow C$, $C \rightarrow B$ and $C \rightarrow A$ are very time consuming because they have to wait for all registers to retire. Each of these transitions take approximately 70 clock cycles on Intel processors, according to my measurements. Transitions $A \rightarrow B$ and $B \rightarrow A$ are fast, taking at most one clock cycle. C should be regarded as an undesired state, and the transition $A \rightarrow C$ is not possible.

The following examples illustrate the state transitions:

```
; Example 13.21a. Transition between YMM states
vaddps  ymm0, ymm1, ymm2      ; State B
addss   xmm3, xmm4           ; State C
vmulps  ymm0, ymm0, ymm5     ; State B
```

Example 13.21a has two expensive state transitions, from B to C, and back to state B. The state transition can be avoided by replacing the legacy `ADDSS` instruction by the VEX-coded version `VADDSS`:

```
; Example 13.21b. Transition between YMM states avoided
vaddps    ymm0, ymm1, ymm2    ; State B
vaddss    xmm3, xmm3, xmm4    ; State B
vmulps    ymm0, ymm0, ymm5    ; State B
```

This method cannot be used when calling a library function that uses XMM instructions. The solution here is to save any used YMM registers and go to state A:

```
; Example 13.21c. Transition to state A
vaddps    ymm0, ymm1, ymm2    ; State B
vmovaps   [mem], ymm0         ; Save ymm0
vzeroupper                               ; State A
call      XMM_Function        ; Legacy function
vmovaps   ymm0, [mem]         ; Restore ymm0
vmulps    ymm0, ymm0, ymm5    ; State B
vzeroupper                               ; Go to state A before returning
ret
...
XMM_Function proc near
addss     xmm3, xmm4          ; State A
ret
```

Any program that mixes XMM and YMM code should follow certain guidelines in order to avoid the costly transitions to and from state C:

- A function that uses YMM instructions should issue a `VZEROALL` or `VZERoupper` before returning if there is a possibility that it might return to XMM code.
- A function that uses YMM instructions should save any used YMM register and issue a `VZEROALL` or `VZERoupper` before calling any function that might contain XMM code.
- A function that has a CPU dispatcher for choosing YMM code if available and XMM code otherwise, should issue a `VZEROALL` or `VZERoupper` before leaving the YMM part.

In other words: The ABI allows any function to use XMM or YMM registers, but a function that uses YMM registers must leave the registers in state A before calling any ABI compliant function and before returning to any ABI compliant function.

Obviously, this does not apply to functions that use full YMM registers for parameter transfer or return. A function that uses YMM registers for parameter transfer can assume state B on entry. A function that uses a YMM register (`YMM0`) for the return value can only be in state B on return. State C should always be avoided.

The `VZERoupper` instruction is faster than `VZEROALL` on most processors. Therefore, it is recommended to use `VZERoupper` rather than `VZEROALL` unless you want a complete initialization. `VZEROALL` cannot be used in 64-bit Windows because the ABI specifies that registers `XMM6 - XMM15` have callee-save status. In other words, the calling function can assume that register `XMM6 - XMM15`, but not the upper halves of the YMM registers, are unchanged after return. No XMM or YMM registers have callee-save status in 32-bit Windows or in any Unix system (Linux, BSD, Mac). Therefore it is OK to use `VZEROALL` in e.g. 64-bit Linux. Obviously, `VZEROALL` cannot be used if any XMM register contains a function parameter or return value. `VZERoupper` must be used in these cases.

Current AMD processors have no state transitions and no penalties for mixing VEX and non-VEX code. It is recommended to use the `VZERoupper` instruction anyway on AMD processors for the sake of compatibility with Intel processors and with future AMD processors that may have state transitions.

Mixing YMM instructions and non-VEX XMM instructions is a common error that is very easy to make and very difficult to detect. The code will still work, but with reduced performance. It is strongly recommended that you double-check your code for any mixing of VEX and non-VEX instructions.

Operating system support

Code that uses YMM registers or VEX coded instructions can only run in an operating system that supports it because the operating system must save the YMM registers on task switches. The following operating system versions support AVX and YMM registers: Windows 7, Windows server 2008 SP2, Linux kernel version 2.6.30 and later.

YMM and system code

A situation where transitions between state B and C must take place is when YMM code is interrupted and the interrupt handler contains legacy XMM code that saves the XMM registers but not the full YMM registers. In fact, state C was invented exactly for the sake of preserving the upper part of the YMM registers in this situation.

It is very important to follow certain rules when writing device drivers and other system code that might be called from interrupt handlers. If any YMM register is modified by a YMM instruction or a VEX-XMM instruction in system code then it is necessary to save the entire register state with `XSAVE` first and restore it with `XRESTOR` before returning. It is not sufficient to save the individual YMM registers because future processors, which may extend the YMM registers further to 512-bit ZMM registers (or whatever they will be called), will zero-extend the YMM registers to ZMM when executing YMM instructions and thereby destroy the highest part of the ZMM registers. `XSAVE` / `XRESTOR` is the only way of saving these registers that is compatible with future extensions beyond 256 bits. Future extensions will not use the complicated method of having two versions of every YMM instruction.

If a device driver does not use `XSAVE` / `XRESTOR` then there is a risk that it might inadvertently use YMM registers even if the programmer did not intend this. A compiler that is not intended for system code may insert implicit calls to library functions such as `memset` and `memcpy`. These functions typically have their own CPU dispatcher which may select the largest register size available. It is therefore necessary to use a compiler and a function library that are intended for making system code.

These rules are described in more detail in manual 5: "Calling conventions".

Using non-destructive three-operand instructions

The AVX instruction set which defines the YMM instructions also defines an alternative encoding of all existing XMM instructions by replacing existing prefixes and escape codes with the new VEX prefix. The VEX prefix has the further advantage that it defines an extra register operand. Almost all XMM instructions that previously had two operands now have three operands when the VEX prefix is used.

The two-operand version of an instruction typically uses the same register for the destination and for one of the source operands:

```
; Example 13.22a. Two-operand instruction
addsd  xmm0, xmm2          ; xmm0 = xmm0 + xmm2
```

This has the disadvantage that the result overwrites the value of one of the source operands. The move instruction in example 13.22a can be avoided when the three-operand version of the addition is used:

```
; Example 13.22b. Three-operand instruction
vaddsd xmm0, xmm1, xmm2 ; xmm0 = xmm1 + xmm2
```

Here none of the source operands are destroyed because the result can be stored in a different destination register. This can be useful for avoiding register-to-register moves. The `addsd` and `vaddsd` instructions in example 13.22a and 13.22b have exactly the same length. Therefore there is no penalty for using the three-operand version. The instructions with names ending in `ps` (packed single precision) are one byte shorter in the two-operand version than the three-operand VEX version if the destination register is not `xmm8 - xmm15`. The three-operand version is shorter than the two-operand version in a few cases. In most cases the two- and three-operand versions have the same length.

It is possible to mix two-operand and three-operand instructions in the same code as long as the register set is in state A. But if the register set happens to be in state C for whatever reason then the mixing of XMM instructions with and without VEX will cause a costly state change every time the instruction type changes. It is therefore better to use VEX versions only or non-VEX only. If YMM registers are used (state B) then you should use only the VEX-prefix version for all XMM instructions until the VEX-section of code is ended with a `VZEROALL` or `VZERoupper`.

The 64-bit MMX instructions and most general purpose register instructions do not have three operand versions. There is no penalty for mixing MMX and VEX instructions. A few general purpose register instructions also have three operands.

Unaligned memory access

All VEX coded XMM and YMM instructions with a memory operand allow unaligned memory access, except for the explicitly aligned instructions `VMOVAPS`, `VMOVAPD`, `VMOVDQA`, `VMOVNTPS`, `VMOVNTPD`, `VMVNTPDQ`. Therefore, it is possible to store YMM operands on the stack without keeping the stack aligned by 32.

Compiler support

The VEX instruction set is supported in the Microsoft, Intel and Gnu compilers.

The compilers will use the VEX prefix version for all XMM instructions, including intrinsic functions, if compiling for the AVX instruction set. It is the responsibility of the programmer to issue a `VZERoupper` instruction before any transition from a module compiled with AVX to a module or library compiled without AVX.

Fused multiply-and-add instructions

A fused multiply-and-add (FMA) instruction can make a floating point multiplication followed by a floating point addition or subtraction in the same time that it otherwise takes to make only a multiplication. The FMA operation has the form:

$$d = a * b + c$$

There are two different variants of FMA instructions, called FMA3 and FMA4. FMA4 instructions can use four different registers for the operands a, b, c and d. FMA3 instructions have only three operands, where the destination d must use the same register as one of the input operands a, b or c. Intel originally designed the FMA4 instruction set, but currently supports only FMA3. The latest AMD processors support both FMA3 and FMA4 (See en.wikipedia.org/wiki/FMA_instruction_set#History).

Examples

Example 12.6f page 100 illustrates the use of the AVX instruction set for a DAXPY calculation. Example 12.9e page 109 illustrates the use of the AVX instruction set for a Taylor series expansion. Both examples show the use of three-operand instructions and a vector size of 256 bits. Example 12.6h and 12.6g show the use of FMA3 and FMA4 instructions, respectively.

13.7 Vector operations in general purpose registers

Sometimes it is possible to handle packed data in 32-bit or 64-bit general purpose registers. You may use this method on processors where integer operations are faster than vector operations or where appropriate vector operations are not available.

A 64-bit register can hold two 32-bit integers, four 16-bit integers, eight 8-bit integers, or 64 Booleans. When doing calculations on packed integers in 32-bit or 64-bit registers, you have to take special care to avoid carries from one operand going into the next operand if overflow is possible. Carry does not occur if all operands are positive and so small that overflow cannot occur. For example, you can pack four positive 16-bit integers into `RAX` and use `ADD RAX,RBX` instead of `PADDW MM0,MM1` if you are sure that overflow will not occur. If carry cannot be ruled out then you have to mask out the highest bit, as in the following example, which adds 2 to all four bytes in `EAX`:

```
; Example 13.23. Byte vector addition in 32-bit register
mov     eax, [esi]           ; read 4-bytes operand
mov     ebx, eax             ; copy into ebx
and     eax, 7f7f7f7fh      ; get lower 7 bits of each byte in eax
xor     ebx, eax             ; get the highest bit of each byte
add     eax, 02020202h      ; add desired value to all four bytes
xor     eax, ebx             ; combine bits again
mov     [edi],eax           ; store result
```

Here the highest bit of each byte is masked out to avoid a possible carry from each byte into the next one when adding. The code is using `XOR` rather than `ADD` to put back the high bit again, in order to avoid carry. If the second addend may have the high bit set as well, it must be masked too. No masking is needed if none of the two addends have the high bit set.

It is also possible to search for a specific byte. This C code illustrates the principle by checking if a 32-bit integer contains at least one byte of zero:

```
// Example 13.24. Return nonzero if dword contains null byte
inline int dword_has_nullbyte(int w) {
    return ((w - 0x01010101) & ~w & 0x80808080);}
```

The output is zero if all four bytes of `w` are nonzero. The output will have `0x80` in the position of the first byte of zero. If there are more than one bytes of zero then the subsequent bytes are not necessarily indicated. (This method was invented by Alan Mycroft and published in 1987. I published the same method in 1996 in the first version of this manual unaware that Mycroft had made the same invention before me).

This principle can be used for finding the length of a zero-terminated string by searching for the first byte of zero. It is faster than using `REPNE SCASB`:

```
; Example 13.25, optimized strlen procedure (32-bit):
_strlen PROC     NEAR
; extern "C" int strlen (const char * s);

    push     ebx                ; ebx must be saved
    mov     ecx, [esp+8]        ; get pointer to string
```

```

        mov     eax, ecx                ; copy pointer
        and     ecx, 3                 ; lower 2 bits, check alignment
        jz      L2                     ; s is aligned by 4. Go to loop
        and     eax, -4                ; align pointer by 4
        mov     ebx, [eax]             ; read from preceding boundary
        shl     ecx, 3                 ; *8 = displacement in bits
        mov     edx, -1
        shl     edx, cl                 ; make byte mask
        not     edx                    ; mask = 0FFH for false bytes
        or      ebx, edx               ; mask out false bytes

        ; check first four bytes for zero
        lea     ecx, [ebx-01010101H]   ; subtract 1 from each byte
        not     ebx                    ; invert all bytes
        and     ecx, ebx               ; and these two
        and     ecx, 80808080H         ; test all sign bits
        jnz     L3                     ; zero-byte found

        ; Main loop, read 4 bytes aligned
L1:     add     eax, 4                  ; increment pointer
L2:     mov     ebx, [eax]             ; read 4 bytes of string
        lea     ecx, [ebx-01010101H]   ; subtract 1 from each byte
        not     ebx                    ; invert all bytes
        and     ecx, ebx               ; and these two
        and     ecx, 80808080H         ; test all sign bits
        jz      L1                     ; no zero bytes, continue loop

L3:     bsf     ecx, ecx                ; find right-most 1-bit
        shr     ecx, 3                 ; divide by 8 = byte index
        sub     eax, [esp+8]           ; subtract start address
        add     eax, ecx                ; add index to byte
        pop     ebx                    ; restore ebx
        ret                                ; return value in eax
_strlen ENDP

```

The alignment check makes sure that we are only reading from addresses aligned by 4. The function may read both before the beginning of the string and after the end, but since all reads are aligned, we will not cross any cache line boundary or page boundary unnecessarily. Most importantly, we will not get any page fault for reading beyond allocated memory because page boundaries are always aligned by 2^{12} or more.

If the SSE2 instruction set is available then it may be faster to use XMM instructions with the same alignment trick. Example 13.25 as well as a similar function using XMM registers are provided in the appendix at www.agner.org/optimize/asmexamples.zip.

Other common functions that search for a specific byte, such as `strcpy`, `strchr`, `memchr` can use the same trick. To search for a byte different from zero, just XOR with the desired byte as illustrated in this C code:

```

// Example 13.26. Return nonzero if byte b contained in dword w
inline int dword_has_byte(int w, unsigned char b) {
    w ^= b * 0x01010101;
    return ((w - 0x01010101) & ~w & 0x80808080);}

```

Note if searching backwards (e.g. `strrchr`) that the above method will indicate the position of the *first* occurrence of `b` in `w` in case there is more than one occurrence.

14 Multithreading

There is a limit to how much processing power you can get out of a single CPU. Therefore, many modern computer systems have multiple CPU cores. The way to make use of multiple

CPU cores is to divide the computing job between multiple threads. The optimal number of threads is usually equal to the number of CPU cores. The workload should ideally be evenly divided between the threads.

Multithreading is useful where the code has an inherent parallelism that is coarse-grained. Multithreading cannot be used for fine-grained parallelism because there is a considerable overhead cost of starting and stopping threads and synchronizing the threads. Communication between threads can be quite costly, although these costs are reduced on newer processors. The computing job should preferably be divided into threads at the highest possible level. If the outermost loop can be parallelized, then it should be divided into one loop for each thread, each doing its share of the whole job.

Thread-local storage should preferably use the stack. Static thread-local memory is inefficient and should be avoided.

14.1 Hyperthreading

Some Intel processors can run two threads in the same core. The P4E has one core capable of running two threads, the Atom has two cores capable of running two threads each, and the Nehalem and Sandy Bridge have several cores capable of running two threads each. Other processors, including processors from AMD and VIA, are able to run multiple threads as well, but only one thread in each core.

Hyperthreading is Intel's term for running multiple threads in the same processor core. Two threads running in the same core will always compete for the same resources, such as cache, instruction decoder and execution units. If any of the shared resources are limiting factors for the performance then there is no advantage to using hyperthreading. On the contrary, each thread may run at less than half speed because of cache evictions and other resource conflicts. But if a large fraction of the time goes to cache misses, branch misprediction, or long dependency chains then each thread will run at more than half the single-thread speed. In this case there is an advantage to using hyperthreading, but the performance is not doubled. A thread that shares the resources of the core with another thread will always run slower than a thread that runs alone in the core.

It may be necessary to do experiments in order to determine whether it is advantageous to use hyperthreading or not in a particular application.

See manual 1: "Optimizing software in C++" for more details on multithreading and hyperthreading.

15 CPU dispatching

If you are using instructions that are not supported by all microprocessors, then you must first check if the program is running on a microprocessor that supports these instructions. If your program can benefit significantly from using a particular instruction set, then you may make one version of a critical part of the program that uses this instruction set, and another version which is compatible with old microprocessors.

Manual 1 "Optimizing software in C++" chapter 13 has important advices on CPU dispatching.

CPU dispatching can be implemented with branches or with a code pointer, as shown in the following example.

Example 15.1. Function with CPU dispatching
MyFunction proc near

```

; Jump through pointer. The code pointer initially points to
; MyFunctionDispatch. MyFunctionDispatch changes the pointer
; so that it points to the appropriate version of MyFunction.
; The next time MyFunction is called, it jumps directly to
; the right version of the function
jmp     [MyFunctionPoint]

; Code for each version. Put the most probable version first:

MyFunctionAVX:
; AVX version of MyFunction
ret

MyFunctionSSE2:
; SSE2 version of MyFunction
ret

MyFunction386:
; Generic/80386 version of MyFunction
ret

MyFunctionDispatch:
; Detect which instruction set is supported.
; Function InstructionSet is in asmlib
call   InstructionSet      ; eax indicates instruction set
mov    edx, offset MyFunction386
cmp    eax, 4              ; eax >= 4 if SSE2
jb     DispEnd
mov    edx, offset MyFunctionSSE2
cmp    eax, 11            ; eax >= 11 if AVX
jb     DispEnd
mov    edx, offset MyFunctionAVX
DispEnd:
; Save pointer to appropriate version of MyFunction
mov    [MyFunctionPoint], edx
jmp    edx                ; Jump to this version

.data
MyFunctionPoint DD MyFunctionDispatch ; Code pointer

.code
MyFunction endp

```

The function `InstructionSet`, which detects which instruction set is supported, is provided in the library that can be downloaded from www.agner.org/optimize/asmlib.zip. Most operating systems also have functions for this purpose. Obviously, it is recommended to store the output from `InstructionSet` rather than calling it again each time the information is needed. See also www.agner.org/optimize/asmexamples.zip for detailed examples of functions with CPU dispatching.

15.1 Checking for operating system support for XMM and YMM registers

Unfortunately, the information that can be obtained from the `CPUID` instruction is not sufficient for determining whether it is possible to use XMM registers. The operating system has to save these registers during a task switch and restore them when the task is resumed. The microprocessor can disable the use of the XMM registers in order to prevent their use under old operating systems that do not save these registers. Operating systems that support the use of XMM registers must set bit 9 of the control register `CR4` to enable the use of XMM registers and indicate its ability to save and restore these registers during task switches. (Saving and restoring registers is actually faster when XMM registers are enabled).

Unfortunately, the CR4 register can only be read in privileged mode. Application programs therefore have a problem determining whether they are allowed to use the XMM registers or not. According to official Intel documents, the only way for an application program to determine whether the operating system supports the use of XMM registers is to try to execute an XMM instruction and see if you get an invalid opcode exception. This is ridiculous, because not all operating systems, compilers and programming languages provide facilities for application programs to catch invalid opcode exceptions. The advantage of using XMM registers evaporates completely if you have no way of knowing whether you can use these registers without crashing your software.

These serious problems led me to search for an alternative way of checking if the operating system supports the use of XMM registers, and fortunately I have found a way that works reliably. If XMM registers are enabled, then the FXSAVE and FXRSTOR instructions can read and modify the XMM registers. If XMM registers are disabled, then FXSAVE and FXRSTOR cannot access these registers. It is therefore possible to check if XMM registers are enabled, by trying to read and write these registers with FXSAVE and FXRSTOR. The subroutines in www.agner.org/optimize/asmlib.zip use this method. These subroutines can be called from assembly as well as from high-level languages, and provide an easy way of detecting whether XMM registers can be used.

In order to verify that this detection method works correctly with all microprocessors, I first checked various manuals. The 1999 version of Intel's software developer's manual says about the FXRSTOR instruction: *"The Streaming SIMD Extension fields in the save image (XMM0-XMM7 and MXCSR) will not be loaded into the processor if the CR4.OSFXSR bit is not set."* AMD's Programmer's Manual says effectively the same. However, the 2003 version of Intel's manual says that this behavior is implementation dependent. In order to clarify this, I contacted Intel Technical Support and got the reply, *"If the OSFXSR bit in CR4 is not set, then XMMx registers are not restored when FXRSTOR is executed"*. They further confirmed that this is true for all versions of Intel microprocessors and all microcode updates. I regard this as a guarantee from Intel that my detection method will work on all Intel microprocessors. We can rely on the method working correctly on AMD processors as well since the AMD manual is unambiguous on this question. It appears to be safe to rely on this method working correctly on future microprocessors as well, because any microprocessor that deviates from the above specification would introduce a security problem as well as failing to run existing programs. Compatibility with existing programs is of great concern to microprocessor producers.

The detection method recommended in Intel manuals has the drawback that it relies on the ability of the compiler and the operating system to catch invalid opcode exceptions. A Windows application, for example, using Intel's detection method would therefore have to be tested in all compatible operating systems, including various Windows emulators running under a number of other operating systems. My detection method does not have this problem because it is independent of compiler and operating system. My method has the further advantage that it makes modular programming easier, because a module, subroutine library, or DLL using XMM instructions can include the detection procedure so that the problem of XMM support is of no concern to the calling program, which may even be written in a different programming language. Some operating systems provide system functions that tell which instruction set is supported, but the method mentioned above is independent of the operating system.

It is easier to check for operating support for YMM registers. The following method is described in "Intel Advanced Vector Extensions Programming Reference": Execute CPUID with `eax = 1`. Check that bit 27 and 28 in `ecx` are both 1 (OSXSAVE and AVX feature flags). If so, then execute XGETBV with `ecx = 0` to get the XFEATURE_ENABLED_MASK. Check that bit 1 and 2 in `eax` are both set (XMM and YMM state support). If so, then it is safe to use YMM registers.

The above discussion has relied on the following documents:

Intel application note AP-900: "Identifying support for Streaming SIMD Extensions in the Processor and Operating System". 1999.

Intel application note AP-485: "Intel Processor Identification and the CPUID Instruction". 2002.

"Intel Architecture Software Developer's Manual, Volume 2: Instruction Set Reference", 1999.

"IA-32 Intel Architecture Software Developer's Manual, Volume 2: Instruction Set Reference", 2003.

"AMD64 Architecture Programmer's Manual, Volume 4: 128-Bit Media Instructions", 2003.

"Intel Advanced Vector Extensions Programming Reference", 2008, 2010.

16 Problematic Instructions

16.1 LEA instruction (all processors)

The `LEA` instruction is useful for many purposes because it can do a shift operation, two additions, and a move in just one instruction. Example:

```
; Example 16.1a, LEA instruction
lea eax, [ebx+8*ecx-1000]
```

is much faster than

```
; Example 16.1b
mov  eax, ecx
shl  eax, 3
add  eax, ebx
sub  eax, 1000
```

A typical use of `LEA` is as a three-register addition: `lea eax, [ebx+ecx]`. The `LEA` instruction can also be used for doing an addition or shift without changing the flags.

The processors have no documented addressing mode with a scaled index register and nothing else. Therefore, an instruction like `lea eax, [ebx*2]` is actually coded as `lea eax, [ebx*2+00000000H]` with an immediate displacement of 4 bytes. The size of this instruction can be reduced by writing `lea eax, [ebx+ebx]`. If you happen to have a register that is zero (like a loop counter after a loop) then you may use it as a base register to reduce the code size:

```
; Example 16.2, LEA instruction without base pointer
lea  eax, [ebx*4]           ; 7 bytes
lea  eax, [ecx+ebx*4]      ; 3 bytes
```

The size of the base and index registers can be changed with an address size prefix. The size of the destination register can be changed with an operand size prefix (See prefixes, page 26). If the operand size is less than the address size then the result is truncated. If the operand size is more than the address size then the result is zero-extended.

The shortest version of `LEA` in 64-bit mode has 32-bit operand size and 64-bit address size, e.g. `LEA EAX, [RBX+RCX]`, see page 77. Use this version when the result is sure to be less

than 2^{32} . Use the version with a 64-bit destination register for address calculation in 64-bit mode when the address may be bigger than 2^{32} .

`LEA` is slower than addition on some processors. The more complex forms of `LEA` with scale factor and offset are slower than the simple form on some processors. See manual 4: "Instruction tables" for details on each processor.

The preferred version in 32-bit mode has 32-bit operand size and 32-bit address size. `LEA` with a 16-bit operand size is slow on AMD processors. `LEA` with a 16-bit address size in 32-bit mode should be avoided because the decoding of the address size prefix is slow on many processors.

`LEA` can also be used in 64-bit mode for loading a RIP-relative address. A RIP-relative address cannot be combined with base or index registers.

16.2 INC and DEC

The `INC` and `DEC` instructions do not modify the carry flag but they do modify the other arithmetic flags. Writing to only part of the flags register costs an extra μop on P4 and P4E. It can cause a partial flags stalls on some Intel processors if a subsequent instruction reads the carry flag or all the flag bits. On all processors, it can cause a false dependence on the carry flag from a previous instruction.

Use `ADD` and `SUB` when optimizing for speed. Use `INC` and `DEC` when optimizing for size or when no penalty is expected.

16.3 XCHG (all processors)

The `XCHG register, [memory]` instruction is dangerous. This instruction always has an implicit `LOCK` prefix which forces synchronization with other processors or cores. This instruction is therefore very time consuming, and should always be avoided unless the lock is intended.

The `XCHG` instruction with register operands may be useful when optimizing for size as explained on page 73.

16.4 Shifts and rotates (P4)

Shifts and rotates on general purpose registers are slow on the P4. You may consider using MMX or XMM registers instead or replacing left shifts by additions.

16.5 Rotates through carry (all processors)

`RCR` and `RCL` with `CL` or with a count different from one are slow on all processors and should be avoided.

16.6 Bit test (all processors)

`BT`, `BTC`, `BTR`, and `BTS` instructions should preferably be replaced by instructions like `TEST`, `AND`, `OR`, `XOR`, or shifts on older processors. Bit tests with a memory operand should be avoided on Intel processors. `BTC`, `BTR`, and `BTS` use 2 μops on AMD processors. Bit test instructions are useful when optimizing for size.

16.7 LAHF and SAHF (all processors)

`LAHF` is slow on P4 and P4E. Use `SETCC` instead for storing the value of a flag.

`SAHF` is slow on P4E and AMD processors. Use `TEST` instead for testing a bit in `AH`. Use `FCOMI` if available as a replacement for the sequence `FCOM / FNSTSW AX / SAHF`.

`LAHF` and `SAHF` are not available in 64 bit mode on some early 64-bit Intel processors.

16.8 Integer multiplication (all processors)

An integer multiplication takes from 3 to 14 clock cycles, depending on the processor. It is therefore often advantageous to replace a multiplication by a constant with a combination of other instructions such as `SHL`, `ADD`, `SUB`, and `LEA`. For example `IMUL EAX, 5` can be replaced by `LEA EAX, [EAX+4*EAX]`.

16.9 Division (all processors)

Both integer division and floating point division are quite time consuming on all processors. Various methods for reducing the number of divisions are explained in manual 1: "Optimizing software in C++". Several methods to improve code that contains division are discussed below.

Integer division by a power of 2 (all processors)

Integer division by a power of two can be done by shifting right. Dividing an unsigned integer by 2^N :

```
; Example 16.3. Divide unsigned integer by 2^N
shr  eax, N
```

Dividing a signed integer by 2^N :

```
; Example 16.4. Divide signed integer by 2^N
cdq
and  edx, (1 shl N) - 1    ; (Or:  shr edx, 32-N)
add  eax, edx
sar  eax, N
```

Obviously, you should prefer the unsigned version if the dividend is certain to be non-negative.

Integer division by a constant (all processors)

A floating point number can be divided by a constant by multiplying with the reciprocal. If we want to do the same with integers, we have to scale the reciprocal by 2^n and then shift the product to the right by n . There are various algorithms for finding a suitable value of n and compensating for rounding errors. The algorithm described below was invented by Terje Mathisen, Norway, and not published elsewhere. Other methods can be found in the book [Hacker's Delight](#), by Henry S. Warren, Addison-Wesley 2003, and the paper: T. Granlund and P. L. Montgomery: [Division by Invariant Integers Using Multiplication](#), Proceedings of the SIGPLAN 1994 Conference on Programming Language Design and Implementation.

The following algorithm will give you the correct result for unsigned integer division with truncation, i.e. the same result as the `DIV` instruction:

```
b = (the number of significant bits in d) - 1
r = w + b
f = 2r / d
If f is an integer then d is a power of 2: go to case A.
```

If f is not an integer, then check if the fractional part of f is < 0.5
 If the fractional part of $f < 0.5$: go to case B.
 If the fractional part of $f > 0.5$: go to case C.

case A ($d = 2b$):
 result = x SHR b

case B (fractional part of $f < 0.5$):
 round f down to nearest integer
 result = $((x+1) * f)$ SHR r

case C (fractional part of $f > 0.5$):
 round f up to nearest integer
 result = $(x * f)$ SHR r

Example:

Assume that you want to divide by 5.

$5 = 101B$.

$w = 32$.

$b = (\text{number of significant binary digits}) - 1 = 2$

$r = 32+2 = 34$

$f = 2^{34} / 5 = 3435973836.8 = 0CCCCCCCC.CCC\dots(\text{hexadecimal})$

The fractional part is greater than a half: use case C.

Round f up to 0CCCCCCCDH.

The following code divides `EAX` by 5 and returns the result in `EDX`:

```
; Example 16.5a. Divide unsigned integer eax by 5
mov  edx, 0CCCCCCDH
mul  edx
shr  edx, 2
```

After the multiplication, `EDX` contains the product shifted right 32 places. Since $r = 34$ you have to shift 2 more places to get the result. To divide by 10, just change the last line to `SHR EDX, 3`.

In case B we would have:

```
; Example 16.5b. Divide unsigned integer eax, case B
add  eax, 1
mov  edx, f
mul  edx
shr  edx, b
```

This code works for all values of x except 0FFFFFFFFH which gives zero because of overflow in the `ADD EAX, 1` instruction. If $x = 0FFFFFFFFH$ is possible, then change the code to:

```
; Example 16.5c. Divide unsigned integer, case B, check for overflow
mov  edx, f
add  eax, 1
jc   DOVERFL
mul  edx
DOVERFL: shr  edx, b
```

If the value of x is limited, then you may use a lower value of r , i.e. fewer digits. There can be several reasons for using a lower value of r :

- You may set $r = w = 32$ to avoid the `SHR EDX, b` in the end.
- You may set $r = 16 + b$ and use a multiplication instruction that gives a 32-bit result rather than 64 bits. This will free the `EDX` register:

```
; Example 16.5d. Divide unsigned integer by 5, limited range
imul eax, 0CCCDH
shr eax, 18
```

- You may choose a value of r that gives case C rather than case B in order to avoid the `ADD EAX, 1` instruction

The maximum value for x in these cases is at least $2^{r-b} - 1$, sometimes higher. You have to do a systematic test if you want to know the exact maximum value of x for which the code works correctly.

You may want to replace the multiplication instruction with shift and add instructions as explained on page 142 if multiplication is slow.

The following example divides `EAX` by 10 and returns the result in `EAX`. I have chosen $r=17$ rather than 19 because it happens to give code that is easier to optimize, and covers the same range for x . $f = 2^{17} / 10 = 3333\text{H}$, case B: $q = (x+1) * 3333\text{H}$:

```
; Example 16.5e. Divide unsigned integer by 10, limited range
lea ebx, [eax+2*eax+3]
lea ecx, [eax+2*eax+3]
shl ebx, 4
mov eax, ecx
shl ecx, 8
add eax, ebx
shl ebx, 8
add eax, ecx
add eax, ebx
shr eax, 17
```

A systematic test shows that this code works correctly for all $x < 10004\text{H}$.

The division method can also be used for vector operands. Example 16.5f divides eight unsigned 16-bit integers by 10:

```
; Example 16.5f. Divide vector of unsigned integers by 10
.data
align 16
RECIPDIV DW 8 dup (0CCCDH) ; Vector of reciprocal divisor

.code
pmulhuw xmm0, RECIPDIV
psrlw xmm0, 3
```

Repeated integer division by the same value (all processors)

If the divisor is not known at assembly time, but you are dividing repeatedly with the same divisor, then it is advantageous to use the same method as above. The division is done only once while the multiplication and shift operations are done for each dividend. A branch-free variant of the algorithm is provided in the paper by Granlund and Montgomery cited above.

This method is implemented in the [asmlib](#) function library for signed and unsigned integers as well as for vector registers.

Floating point division (all processors)

Two or more floating point divisions can be combined into one, using the method described in manual 1: "Optimizing software in C++".

The time it takes to make a floating point division depends on the precision. When x87 style floating point registers are used, you can make division faster by specifying a lower precision in the floating point control word. This also speeds up the `FSQRT` instruction, but not any other instructions. When XMM registers are used, you don't have to change any control word. Just use single-precision instructions if your application allows this.

It is not possible to do a floating point division and an integer division at the same time because they are using the same execution unit on most processors.

Using reciprocal instruction for fast division (processors with SSE)

On processors with the SSE instruction set, you can use the fast reciprocal instruction `RCPSS` or `RCPPS` on the divisor and then multiply with the dividend. However, the precision is only 12 bits. You can increase the precision to 23 bits by using the Newton-Raphson method described in Intel's application note AP-803:

```
x0 = rcpss(d);
x1 = x0 * (2 - d * x0) = 2 * x0 - d * x0 * x0;
```

where `x0` is the first approximation to the reciprocal of the divisor `d`, and `x1` is a better approximation. You must use this formula before multiplying with the dividend.

```
; Example 16.6, fast division, single precision (SSE)
movaps xmm1, [divisors]           ; load divisors
rcpps  xmm0, xmm1                 ; approximate reciprocal
mulps  xmm1, xmm0                 ; newton-raphson formula
mulps  xmm1, xmm0
addps  xmm0, xmm0
subps  xmm0, xmm1
mulps  xmm0, [dividends]         ; results in xmm0
```

This makes four divisions in approximately 18 clock cycles on a Core 2 with a precision of 23 bits. Increasing the precision further by repeating the Newton-Raphson formula with double precision is possible, but not very advantageous.

16.10 String instructions (all processors)

String instructions without a repeat prefix are too slow and should be replaced by simpler instructions. The same applies to `LOOP` on all processors and to `JECXZ` on some processors.

`REP MOVSD` and `REP STOSD` are quite fast if the repeat count is not too small. Always use the largest word size possible (`DWORD` in 32-bit mode, `QWORD` in 64-bit mode), and make sure that both source and destination are aligned by the word size. In many cases, however, it is faster to use XMM registers. Moving data in XMM registers is faster than `REP MOVSD` and `REP STOSD` in most cases, especially on older processors. See page 159 for details.

Note that while the `REP MOVSB` instruction writes a word to the destination, it reads the next word from the source in the same clock cycle. You can have a cache bank conflict if bit 2-4 are the same in these two addresses on P2 and P3. In other words, you will get a penalty of one clock extra per iteration if `ESI+WORDSIZE-EDI` is divisible by 32. The easiest way to avoid cache bank conflicts is to align both source and destination by 8. Never use `MOVSB` or `MOVSW` in optimized code, not even in 16-bit mode.

On many processors, `REP MOVS` and `REP STOS` can perform fast by moving 16 bytes or an entire cache line at a time. This happens only when certain conditions are met. Depending on the processor, the conditions for fast string instructions are, typically, that the count must be high, both source and destination must be aligned, the direction must be forward, the distance between source and destination must be at least the cache line size, and the memory type for both source and destination must be either write-back or write-combining (you can normally assume the latter condition is met).

Under these conditions, the speed is as high as you can obtain with vector register moves or even faster on some processors.

While the string instructions can be quite convenient, it must be emphasized that other solutions are faster in many cases. If the above conditions for fast move are not met then there is a lot to gain by using other methods. See page 159 for alternatives to `REP MOVS`.

`REP LOADS`, `REP SCAS`, and `REP CMPS` take more time per iteration than simple loops. See page 135 for alternatives to `REPNE SCASB`.

16.11 Vectorized string instructions (processors with SSE4.2)

The SSE4.2 instruction set contains four very efficient instructions for string search and compare operations: `PCMPESTRI`, `PCMPISTRI`, `PCMPESTRM`, `PCMPISTRM`. There are two vector operands each containing a string and an immediate operand determining what operation to do on these strings. These four instructions can all do each of the following kinds of operations, differing only in the input and output operands:

- Find characters from a set: Finds which of the bytes in the second vector operand belong to the set defined by the bytes in the first vector operand, comparing all 256 possible combinations in one operation.
- Find characters in a range: Finds which of the bytes in the second vector operand are within the range defined by the first vector operand.
- Compare strings: Determine if the two strings are identical.
- Substring search: Finds all occurrences of a substring defined by the first vector operand in the second vector operand.

The lengths of the two strings can be specified explicitly (`PCMPESTRx`) or implicitly with a terminating zero (`PCMPISTRx`). The latter is faster on current Intel processors because it has fewer input operands. Any terminating zeroes and bytes beyond the ends of the strings are ignored. The output can be a bit mask or byte mask (`PCMPxSTRM`) or an index (`PCMPxSTRI`). Further output is provided in the following flags. Carry flag: result is nonzero. Sign flag: first string ends. Zero flag: second string ends. Overflow flag: first bit of result.

These instructions are very efficient for various string parsing and processing tasks because they do large and complicated tasks in a single operation. However, the current implementations are slower than the best alternatives for simple tasks such as `strlen` and `strcpy`.

Examples can be found in my function library at www.agner.org/optimize/asmlib.zip.

16.12 WAIT instruction (all processors)

You can often increase speed by omitting the `WAIT` instruction (also known as `FWAIT`). The `WAIT` instruction has three functions:

A. The old 8087 processor requires a `WAIT` before every floating point instruction to make sure the coprocessor is ready to receive it.

B. `WAIT` is used for coordinating memory access between the floating point unit and the integer unit. Examples:

```
; Example 16.7. Uses of WAIT:
B1:  fistp [mem32]
      wait                ; wait for FPU to write before..
      mov eax,[mem32]    ; reading the result with the integer unit

B2:  fild [mem32]
      wait                ; wait for FPU to read value..
      mov [mem32],eax    ; before overwriting it with integer unit

B3:  fld qword ptr [ESP]
      wait                ; prevent an accidental interrupt from..
      add esp,8          ; overwriting value on stack
```

C. `WAIT` is sometimes used to check for exceptions. It will generate an interrupt if an unmasked exception bit in the floating point status word has been set by a preceding floating point instruction.

Regarding A:

The functionality in point A is never needed on any other processors than the old 8087. Unless you want your 16-bit code to be compatible with the 8087, you should tell your assembler not to put in these `WAIT`'s by specifying a higher processor. An 8087 floating point emulator also inserts `WAIT` instructions. You should therefore tell your assembler not to generate emulation code unless you need it.

Regarding B:

`WAIT` instructions to coordinate memory access are definitely needed on the 8087 and 80287 but not on the Pentiums. It is not quite clear whether it is needed on the 80387 and 80486. I have made several tests on these Intel processors and not been able to provoke any error by omitting the `WAIT` on any 32-bit Intel processor, although Intel manuals say that the `WAIT` is needed for this purpose except after `FNSTSW` and `FNSTCW`. Omitting `WAIT` instructions for coordinating memory access is not 100 % safe, even when writing 32-bit code, because the code may be able to run on the very rare combination of a 80386 main processor with a 287 coprocessor, which requires the `WAIT`. Also, I have no information on non-Intel processors, and I have not tested all possible hardware and software combinations, so there may be other situations where the `WAIT` is needed.

If you want to be certain that your code will work on even the oldest 32-bit processors then I would recommend that you include the `WAIT` here in order to be safe. If rare and obsolete hardware platforms such as the combination of 80386 and 80287 can be ruled out, then you may omit the `WAIT`.

Regarding C:

The assembler automatically inserts a `WAIT` for this purpose before the following instructions: `FCLEX`, `FINIT`, `FSAVE`, `FSTCW`, `FSTENV`, `FSTSW`. You can omit the `WAIT` by writing `FNCLEX`, etc. My tests show that the `WAIT` is unnecessary in most cases because these instructions without `WAIT` will still generate an interrupt on exceptions except for `FNCLEX` and `FNINIT` on the 80387. (There is some inconsistency about whether the `IRET` from the interrupt points to the `FN. .` instruction or to the next instruction).

Almost all other floating point instructions will also generate an interrupt if a previous floating point instruction has set an unmasked exception bit, so the exception is likely to be detected sooner or later anyway. You may insert a `WAIT` after the last floating point instruction in your program to be sure to catch all exceptions.

You may still need the `WAIT` if you want to know exactly where an exception occurred in order to be able to recover from the situation. Consider, for example, the code under `B3` above: If you want to be able to recover from an exception generated by the `FLD` here, then you need the `WAIT` because an interrupt after `ADD ESP, 8` might overwrite the value to load. `FNOP` may be faster than `WAIT` on some processors and serve the same purpose.

16.13 FCOM + FSTSW AX (all processors)

The `FNSTSW` instruction is very slow on all processors. Most processors have `FCOMI` instructions to avoid the slow `FNSTSW`. Using `FCOMI` instead of the common sequence `FCOM / FNSTSW AX / SAHF` will save 4 - 8 clock cycles. You should therefore use `FCOMI` to avoid `FNSTSW` wherever possible, even in cases where it costs some extra code.

On P1 and PMMX processors, which don't have `FCOMI` instructions, the usual way of doing floating point comparisons is:

```
; Example 16.8a.
fld    [a]
fcomp  [b]
fstsw  ax
sahf
jb     ASmallerThanB
```

You may improve this code by using `FNSTSW AX` rather than `FSTSW AX` and test `AH` directly rather than using the non-pairable `SAHF`:

```
; Example 16.8b.
fld    [a]
fcomp  [b]
fnstsw ax
shr    ah, 1
jc     ASmallerThanB
```

Testing for zero or equality:

```
; Example 16.8c.
ftst
fnstsw ax
and    ah, 40H    ; Don't use TEST instruction, it's not pairable
jnz    IsZero    ; (the zero flag is inverted!)
```

Test if greater:

```
; Example 16.8d.
fld    [a]
fcomp  [b]
fnstsw ax
and    ah, 41H
jz     AGreaterThenB
```

On the P1 and PMMX, the `FNSTSW` instruction takes 2 clocks, but it is delayed for an additional 4 clocks after any floating point instruction because it is waiting for the status word to retire from the pipeline. You may fill this gap with integer instructions.

It is sometimes faster to use integer instructions for comparing floating point values, as described on page 156 and 158.

16.14 FPREM (all processors)

The `FPREM` and `FPREM1` instructions are slow on all processors. You may replace it by the following algorithm: Multiply by the reciprocal divisor, get the fractional part by subtracting the truncated value, and then multiply by the divisor. (See page 155 on how to truncate on processors that don't have truncate instructions).

Some documents say that these instructions may give incomplete reductions and that it is therefore necessary to repeat the `FPREM` or `FPREM1` instruction until the reduction is complete. I have tested this on several processors beginning with the old 8087 and I have found no situation where a repetition of the `FPREM` or `FPREM1` was needed.

16.15 FRNDINT (all processors)

This instruction is slow on all processors. Replace it by:

```
; Example 16.9.
    fistp qword ptr [TEMP]
    fild  qword ptr [TEMP]
```

This code is faster despite a possible penalty for attempting to read from `[TEMP]` before the write is finished. It is recommended to put other instructions in between in order to avoid this penalty. See page 155 on how to truncate on processors that don't have truncate instructions. On processors with SSE instructions, use the conversion instructions such as `CVTSS2SI` and `CVTTSS2SI`.

16.16 FSCALE and exponential function (all processors)

`FSCALE` is slow on all processors. Computing integer powers of 2 can be done much faster by inserting the desired power in the exponent field of the floating point number. To calculate 2^N , where N is a signed integer, select from the examples below the one that fits your range of N :

For $|N| < 2^7-1$ you can use single precision:

```
; Example 16.10a.
    mov     eax, [N]
    shl    eax, 23
    add    eax, 3f800000h
    mov    dword ptr [TEMP], eax
    fld    dword ptr [TEMP]
```

For $|N| < 2^{10}-1$ you can use double precision:

```
; Example 16.10b.
    mov     eax, [N]
    shl    eax, 20
    add    eax, 3ff00000h
    mov    dword ptr [TEMP], 0
    mov    dword ptr [TEMP+4], eax
    fld    qword ptr [TEMP]
```

For $|N| < 2^{14}-1$ use long double precision:

```
; Example 16.10c.
    mov     eax, [N]
    add    eax, 00003fffh
    mov    dword ptr [TEMP], 0
    mov    dword ptr [TEMP+4], 80000000h
    mov    dword ptr [TEMP+8], eax
```

```
fld tbyte ptr [TEMP]
```

On processors with SSE2 instructions, you can make these operations in XMM registers without the need for a memory intermediate (see page 157).

`FSCALE` is often used in the calculation of exponential functions. The following code shows an exponential function without the slow `FRNDINT` and `FSCALE` instructions:

```
; Example 16.11. Exponential function
; extern "C" long double exp (double x);
_exp PROC NEAR
PUBLIC _exp
    fldl2e
    fld qword ptr [esp+4] ; x
    fmul ; z = x*log2(e)
    fist dword ptr [esp+4] ; round(z)
    sub esp, 12
    mov dword ptr [esp], 0
    mov dword ptr [esp+4], 80000000h
    fisub dword ptr [esp+16] ; z - round(z)
    mov eax, [esp+16]
    add eax, 3fffh
    mov [esp+8], eax
    jle short UNDERFLOW
    cmp eax, 8000h
    jge short OVERFLOW
    f2xm1
    fld1
    fadd ; 2^(z-round(z))
    fld tbyte ptr [esp] ; 2^(round(z))
    add esp, 12
    fmul ; 2^z = e^x
    ret
UNDERFLOW:
    fstp st
    fldz ; return 0
    add esp, 12
    ret
OVERFLOW:
    push 07f800000h ; +infinity
    fstp st
    fld dword ptr [esp] ; return infinity
    add esp, 16
    ret
_exp ENDP
```

16.17 FPTAN (all processors)

According to the manuals, `FPTAN` returns two values, X and Y , and leaves it to the programmer to divide Y with X to get the result; but in fact it always returns 1 in X so you can save the division. My tests show that on all 32-bit Intel processors with floating point unit or coprocessor, `FPTAN` always returns 1 in X regardless of the argument. If you want to be absolutely sure that your code will run correctly on all processors, then you may test if X is 1, which is faster than dividing with X . The Y value may be very high, but never infinity, so you don't have to test if Y contains a valid number if you know that the argument is valid.

16.18 FSQRT (SSE processors)

A fast way of calculating an approximate square root on processors with SSE is to multiply the reciprocal square root of x by x :


```
sqrt(x) = x * rsqrt(x)
```

The instruction `RSQRTSS` or `RSQRTPS` gives the reciprocal square root with a precision of 12 bits. You can improve the precision to 23 bits by using the Newton-Raphson formula described in Intel's application note AP-803:

```
x0 = rsqrtss(a)
x1 = 0.5 * x0 * (3 - (a * x0) * x0)
```

where `x0` is the first approximation to the reciprocal square root of `a`, and `x1` is a better approximation. The order of evaluation is important. You must use this formula before multiplying with `a` to get the square root.

16.19 FLDCW (Most Intel processors)

Many processors have a serious stall after the `FLDCW` instruction if followed by any floating point instruction which reads the control word (which almost all floating point instructions do).

When C or C++ code is compiled, it often generates a lot of `FLDCW` instructions because conversion of floating point numbers to integers is done with truncation while other floating point instructions use rounding. After translation to assembly, you can improve this code by using rounding instead of truncation where possible, or by moving the `FLDCW` out of a loop where truncation is needed inside the loop.

On the P4, this stall is even longer, approximately 143 clocks. But the P4 has made a special case out of the situation where the control word is alternating between two different values. This is the typical case in C++ programs where the control word is changed to specify truncation when a floating point number is converted to integer, and changed back to rounding after this conversion. The latency for `FLDCW` is 3 when the new value loaded is the same as the value of the control word before the preceding `FLDCW`. The latency is still 143, however, when loading the same value into the control word as it already has, if this is not the same as the value it had one time earlier.

See page 155 on how to convert floating point numbers to integers without changing the control word. On processors with SSE, use truncation instructions such as `CVTTSS2SI` instead.

16.20 MASKMOV instructions

The masked memory write instructions `MASKMOVQ` and `MASKMOVDQU` are extremely slow because they are bypassing the cache and writing to main memory (a so-called non-temporal write).

The VEX-coded alternatives `VPMASKMOVD`, `VPMASKMOVQ`, `VMASKMOVPS`, `VMASKMOVPD` are writing to the cache, and therefore much faster on Intel processors. The VEX versions are still extremely slow on AMD Bulldozer and Piledriver processors.

These instructions should be avoided at all costs. See chapter 13.5 for alternative methods.

17 Special topics

17.1 XMM versus floating point registers

Processors with the SSE instruction set can do single precision floating point calculations in XMM registers. Processors with the SSE2 instruction set can also do double precision

calculations in XMM registers. Floating point calculations are approximately equally fast in XMM registers and the old floating point stack registers. The decision of whether to use the floating point stack registers `ST(0) - ST(7)` or XMM registers depends on the following factors.

Advantages of using `ST()` registers:

- Compatible with old processors without SSE or SSE2.
- Compatible with old operating systems without XMM support.
- Supports long double precision.
- Intermediate results are calculated with long double precision.
- Precision conversions are free in the sense that they require no extra instructions and take no extra time. You may use `ST()` registers for expressions where operands have mixed precision.
- Mathematical functions such as logarithms and trigonometric functions are supported by hardware instructions. These functions are useful when optimizing for size, but not necessarily faster than library functions using XMM registers.
- Conversions to and from decimal numbers can use the `FBLD` and `FBSTP` instructions when optimizing for size.
- Floating point instructions using `ST()` registers are smaller than the corresponding instructions using XMM registers. For example, `FADD ST(0),ST(1)` is 2 bytes, while `ADDSD XMM0,XMM1` is 4 bytes.

Advantages of using XMM or YMM registers:

- Can do multiple operations with a single vector instruction.
- Avoids the need to use `FXCH` for getting the desired register to the top of the stack.
- No need to clean up the register stack after use.
- Can be used together with MMX instructions.
- No need for memory intermediates when converting between integers and floating point numbers.
- 64-bit systems have 16 XMM/YMM registers, but only 8 `ST()` registers.
- `ST()` registers cannot be used in device drivers in 64-bit Windows.
- The instruction set for `ST()` registers is no longer developed. The instructions will probably still be supported for many years for the sake of backwards compatibility, but the instructions may work less efficiently in future processors.

17.2 MMX versus XMM registers

Integer vector instructions can use either the 64-bit MMX registers or the 128-bit XMM registers in processors with SSE2.

Advantages of using MMX registers:

- Compatible with older microprocessors since the PMMX.
- Compatible with old operating systems without XMM support.
- No need for data alignment.

Advantages of using XMM registers:

- The number of elements per vector is doubled in XMM registers as compared to MMX registers.
- MMX registers cannot be used together with ST() registers.
- A series of MMX instructions must end with EMMS.
- 64-bit systems have 16 XMM registers, but only 8 MMX registers.
- MMX registers cannot be used in device drivers in 64-bit Windows.
- The instruction set for MMX registers is no longer developed and is going out of use. The MMX registers will probably still be supported in many years for reason of backwards compatibility.

17.3 XMM versus YMM registers

Floating point vector instructions can use the 128-bit XMM registers or their 256-bit extension named YMM registers when the AVX instruction set is available. See page 130 for details. Advantages of using the AVX instruction set and YMM registers:

- Double vector size for floating point operations
- Non-destructive 3-operand version of all XMM and YMM instructions

Advantages of using XMM registers:

- Compatible with older processors
- There is a penalty for switching between VEX instructions and XMM instructions without VEX prefix, see page 131. The programmer may inadvertently mix VEX and non-VEX instructions.
- YMM registers cannot be used in device drivers without saving everything with [XSAVE / XRESTOR.](#), see page 133.

17.4 Freeing floating point registers (all processors)

You have to free all used floating point stack registers before exiting a subroutine, except for any register used for the result.

The fastest way of freeing one register is [FSTP ST](#). To free two registers you may use either [FCOMPP](#) or twice [FSTP ST](#), whichever fits best into the decoding sequence or port load.

It is not recommended to use [FFREE](#).

17.5 Transitions between floating point and MMX instructions

It is not possible to use 64-bit MMX registers and 80-bit floating point ST() registers in the same part of the code. You must issue an `EMMS` instruction after the last instruction that uses MMX registers if there is a possibility that later code uses floating point registers. You may avoid this problem by using 128-bit XMM registers instead.

On PMMX there is a high penalty for switching between floating point and MMX instructions. The first floating point instruction after an `EMMS` takes approximately 58 clocks extra, and the first MMX instruction after a floating point instruction takes approximately 38 clocks extra.

On processors with out-of-order execution there is no such penalty.

17.6 Converting from floating point to integer (All processors)

All conversions between floating point registers and integer registers must go via a memory location:

```
; Example 17.1.
fistp dword ptr [TEMP]
mov eax, [TEMP]
```

On older processors, and especially the P4, this code is likely to have a penalty for attempting to read from `[TEMP]` before the write to `[TEMP]` is finished. It doesn't help to put in a `WAIT`. It is recommended that you put in other instructions between the write to `[TEMP]` and the read from `[TEMP]` if possible in order to avoid this penalty. This applies to all the examples that follow.

The specifications for the C and C++ language requires that conversion from floating point numbers to integers use truncation rather than rounding. The method used by most C libraries is to change the floating point control word to indicate truncation before using an `FISTP` instruction, and changing it back again afterwards. This method is very slow on all processors. On many processors, the floating point control word cannot be renamed, so all subsequent floating point instructions must wait for the `FLDCW` instruction to retire. See page 151.

On processors with SSE or SSE2 instructions you can avoid all these problems by using `XMM` registers instead of floating point registers and use the `CVT...` instructions to avoid the memory intermediate.

Whenever you have a conversion from a floating point register to an integer register, you should think of whether you can use rounding to nearest integer instead of truncation.

If you need truncation inside a loop then you should change the control word only outside the loop if the rest of the floating point instructions in the loop can work correctly in truncation mode.

You may use various tricks for truncating without changing the control word, as illustrated in the examples below. These examples presume that the control word is set to default, i.e. rounding to nearest or even.

```
; Example 17.2a. Rounding to nearest or even:
; extern "C" int round (double x);
_round PROC    NEAR    ; (32 bit mode)
PUBLIC _round
    fld        qword ptr [esp+4]
    fistp     dword ptr [esp+4]
    mov       eax, dword ptr [esp+4]
    ret
```

```

_round ENDP

; Example 17.2b. Truncation towards zero:
; extern "C" int truncate (double x);
_truncate PROC NEAR ; (32 bit mode)
PUBLIC _truncate
    fld     qword ptr [esp+4] ; x
    sub     esp, 12           ; space for local variables
    fist   dword ptr [esp]   ; rounded value
    fst     dword ptr [esp+4] ; float value
    fisub  dword ptr [esp]   ; subtract rounded value
    fstp   dword ptr [esp+8] ; difference
    pop    eax               ; rounded value
    pop    ecx               ; float value
    pop    edx               ; difference (float)
    test   ecx, ecx         ; test sign of x
    js     short NEGATIVE
    add    edx, 7FFFFFFFH    ; produce carry if difference < -0
    sbb   eax, 0             ; subtract 1 if x-round(x) < -0
    ret

NEGATIVE:
    xor    ecx, ecx
    test   edx, edx
    setg   cl                ; 1 if difference > 0
    add    eax, ecx          ; add 1 if x-round(x) > 0
    ret
_truncate ENDP

; Example 17.2c. Truncation towards minus infinity:
; extern "C" int ifloor (double x);
_ifloor PROC NEAR ; (32 bit mode)
PUBLIC _ifloor
    fld     qword ptr [esp+4] ; x
    sub     esp, 8           ; space for local variables
    fist   dword ptr [esp]   ; rounded value
    fisub  dword ptr [esp]   ; subtract rounded value
    fstp   dword ptr [esp+4] ; difference
    pop    eax               ; rounded value
    pop    edx               ; difference (float)
    add    edx, 7FFFFFFFH    ; produce carry if difference < -0
    sbb   eax, 0             ; subtract 1 if x-round(x) < -0
    ret
_ifloor ENDP

```

These procedures work for $-2^{31} < x < 2^{31}-1$. They do not check for overflow or NAN's.

17.7 Using integer instructions for floating point operations

Integer instructions are generally faster than floating point instructions, so it is often advantageous to use integer instructions for doing simple floating point operations. The most obvious example is moving data. For example

```

; Example 17.3a. Moving floating point data
fld qword ptr [esi]
fstp qword ptr [edi]

```

can be replaced by:

```

; Example 17.3b
mov eax, [esi]
mov ebx, [esi+4]
mov [edi], eax
mov [edi+4], ebx

```

or:

```
; Example 17.3c
movq mm0, [esi]
movq [edi], mm0
```

In 64-bit mode, use:

```
; Example 17.3d
mov rax, [rsi]
mov [rdi], rax
```

Many other manipulations are possible if you know how floating point numbers are represented in binary format. See the chapter "Using integer operations for manipulating floating point variables" in manual 1: "Optimizing software in C++".

The bit positions are shown in this table:

precision	mantissa	always 1	exponent	sign
single (32 bits)	bit 0 - 22		bit 23 - 30	bit 31
double (64 bits)	bit 0 - 51		bit 52 - 62	bit 63
long double (80 bits)	bit 0 - 62	bit 63	bit 64 - 78	bit 79

Table 17.1. Floating point formats

From this table we can find that the value 1.0 is represented as 3F80,0000H in single precision format, 3FF0,0000,0000,0000H in double precision, and 3FFF,8000,0000,0000,0000H in long double precision.

It is possible to generate simple floating point constants without using data in memory as explained on page 124.

Testing if a floating point value is zero

To test if a floating point number is zero, we have to test all bits except the sign bit, which may be either 0 or 1. For example:

```
; Example 17.4a. Testing floating point value for zero
fld  dword ptr [ebx]
ftst
fnstsw ax
and  ah, 40h
jnz  IsZero
```

can be replaced by

```
; Example 17.4b. Testing floating point value for zero
mov  eax, [ebx]
add  eax, eax
jz   IsZero
```

where the `ADD EAX, EAX` shifts out the sign bit. Double precision floats have 63 bits to test, but if denormal numbers can be ruled out, then you can be certain that the value is zero if the exponent bits are all zero. Example:

```
; Example 17.4c. Testing double value for zero
fld  qword ptr [ebx]
ftst
fnstsw ax
and  ah, 40h
```

```
jnz IsZero
```

can be replaced by

```
; Example 17.4d. Testing double value for zero
mov  eax, [ebx+4]
add  eax, eax
jz   IsZero
```

Manipulating the sign bit

A floating point number is negative if the sign bit is set and at least one other bit is set. Example (single precision):

```
; Example 17.5. Testing floating point value for negative
mov  eax, [NumberToTest]
cmp  eax, 80000000H
ja   IsNegative
```

You can change the sign of a floating point number simply by flipping the sign bit. This is useful when XMM registers are used, because there is no XMM change sign instruction. Example:

```
; Example 17.6. Change sign of four single-precision floats in xmm0
cmpeqd xmm1, xmm1 ; generate all 1's
pslld  xmm1, 31   ; 1 in the leftmost bit of each dword only
xorps  xmm0, xmm1 ; change sign of xmm0
```

You can get the absolute value of a floating point number by AND'ing out the sign bit:

```
; Example 17.7. Absolute value of four single-precision floats in xmm0
cmpeqd xmm1, xmm1 ; generate all 1's
psrld  xmm1, 1    ; 1 in all but the leftmost bit of each dword
andps  xmm0, xmm1 ; set sign bits to 0
```

You can extract the sign bit of a floating point number:

```
; Example 17.8. Generate a bit-mask if single-precision floats in
; xmm0 are negative or -0.0
psrad  xmm0, 31   ; copy sign bit into all bit positions
```

Manipulating the exponent

You can multiply a non-zero number by a power of 2 by simply adding to the exponent:

```
; Example 17.9. Multiply vector by power of 2
movaps xmm0, [x] ; four single-precision floats
movdqa xmm1, [n] ; four 32-bit positive integers
pslld  xmm1, 23  ; shift integers into exponent field
padd  xmm0, xmm1 ; x * 2^n
```

Likewise, you can divide by a power of 2 by subtracting from the exponent. Note that this code does not work if x is zero or if overflow or underflow is possible.

Manipulating the mantissa

You can convert an integer to a floating point number in an interval of length 1.0 by putting bits into the mantissa field. The following code computes $x = n / 2^{32}$, where n is an unsigned integer in the interval $0 \leq n < 2^{32}$, and the resulting x is in the interval $0 \leq x < 1.0$.

```
; Example 17.10. Convert bits to value between 0 and 1
.data
one  dq  1.0
```



```

x      dq  ?
n      dd  ?
.code
movsd  xmm0, [one]    ; 1.0, double precision
movd   xmm1, [n]      ; n, 32-bit unsigned integer
psllq  xmm1, 20       ; align n left in mantissa field
orpd   xmm1, xmm0     ; combine mantissa and exponent
subsd  xmm1, xmm0     ; subtract 1.0
movsd  [x],  xmm1     ; store result

```

In the above code, the exponent from 1.0 is combined with a mantissa containing the bits of n . This gives a double-precision value in the interval $1.0 \leq x < 2.0$. The `SUBSD` instruction subtracts 1.0 to get x into the desired interval. This is useful for random number generators.

Comparing numbers

Thanks to the fact that the exponent is stored in the biased format and to the left of the mantissa, it is possible to use integer instructions for comparing positive floating point numbers. Example (single precision):

```

; Example 17.11a. Compare single precision float numbers
fld    [a]
fcomp  [b]
fnstsw ax
and    ah, 1
jnz    ASmallerThanB

```

can be replaced by:

```

; Example 17.11b. Compare single precision float numbers
mov  eax, [a]
mov  ebx, [b]
cmp  eax, ebx
jb   ASmallerThanB

```

This method works only if you are certain that none of the numbers have the sign bit set. You may compare absolute values by shifting out the sign bit of both numbers. For double-precision numbers, you can make an approximate comparison by comparing the upper 32 bits using integer instructions.

17.8 Using floating point instructions for integer operations

While there are no problems using integer instructions for moving floating point data, it is not always safe to use floating point instructions for moving integer data. For example, you may be tempted to use `FLD QWORD PTR [ESI] / FSTP QWORD PTR [EDI]` to move 8 bytes at a time. However, this method may fail if the data do not represent valid floating point numbers. The `FLD` instruction may generate an exception and it may even change the value of the data. If you want your code to be compatible with processors that don't have MMX and XMM registers then you can only use the slower `FILD` and `FISTP` for moving 8 bytes at a time.

However, some floating point instructions can handle integer data without generating exceptions or modifying data. See page 118 for details.

Converting binary to decimal numbers

The `FBLD` and `FBSTP` instructions provide a simple and convenient way of converting numbers between binary and decimal, but this is not the fastest method.

17.9 Moving blocks of data (All processors)

There are several ways of moving large blocks of data. The most common methods are:

1. `REP MOVSB` instruction.
2. If data are aligned: Read and write in a loop with the largest available register size.
3. If size is constant: inline move instructions.
4. If data are misaligned: First move as many bytes as required to make the destination aligned. Then read unaligned and write aligned in a loop with the largest available register size.
5. If data are misaligned: Read aligned, shift to compensate for misalignment and write aligned.
6. If the data size is too big for caching, use non-temporal writes to bypass the cache. Shift to compensate for misalignment, if necessary.

Which of these methods is fastest depends on the microprocessor, the data size and the alignment. If a large fraction of the CPU time is used for moving data then it is important to select the fastest method. I will therefore discuss the advantages and disadvantages of each method here.

The `REP MOVSB` instruction (1) is a simple solution which is useful when optimizing for code size rather than for speed. This instruction is implemented as microcode in the CPU. The microcode implementation may actually use one of the other methods internally. In some cases it is well optimized, in other cases not. Usually, the `REP MOVSB` instruction has a large overhead for choosing and setting up the right method. Therefore, it is not optimal for small blocks of data. For large blocks of data, it may be quite efficient when certain conditions for alignment etc. are met. These conditions depend on the specific CPU (see page 146). On Intel Nehalem and later processors, this is sometimes as fast as the other methods when the memory block is large, and in a few cases it is even faster than the other methods.

Aligned moves with the largest available registers (2) is an efficient method on all processors. Therefore, it is worthwhile to align big blocks of data by 32 and, if necessary, pad the data in the end to make the size of each data block a multiple of the register size.

Inlined move instructions (3) is often the fastest method if the size of the data block is known at compile time, and the alignment is known. Part of the block may be moved in smaller registers to fit the specific alignment and data size. The loop of move instructions may be fully rolled out if the size is very small.

Unaligned read and aligned write (4) is fast on most newer processors. Typically, older processors have slow unaligned reads while newer processors have a better cache interface that optimizes unaligned read. The unaligned read method is reasonably fast on all newer processors, and on many processors it is the fastest method.

The aligned read - shift - aligned write method (5) is the fastest method for moving unaligned data on older processors. On processors with SSE2, use `PSRLDQ/PSLLDQ/POR`. On processors with Supplementary SSE3, use `PALIGNR` (except on Bobcat, where `PALIGNR` is particularly slow). It is necessary to have 16 different branches for the 16 possible shift counts. This can be avoided on AMD processors with XOP instructions, by using the `VPPERM` instruction, but the unaligned read method (4) may be at least as fast on these processors.

Using non-temporal writes (6) to bypass the cache can be advantageous when moving vary large blocks of data. This is not always faster than the other methods, but it saves the cache

for other purposes. As a rule of thumb, it can be good to use non-temporal writes when moving data blocks bigger than half the size of the last-level cache.

As you can see, it can be very difficult to choose the optimal method in a given situation. The best advice I can give for a universal `memcpy` function, based on my testing, is as follows:

- On Intel Wolfdale and earlier, Intel Atom, AMD K8 and earlier, and VIA Nano, use the aligned read - shift - aligned write method (5).
- On Intel Nehalem and later, method (4) is up to 33% faster than method (5).
- On AMD K10 and later and Bobcat, use the unaligned read - aligned write method (4).
- The non-temporal write method (6) can be used for data blocks bigger than half the size of the largest-level cache.

Another consideration is what size of registers to use for moving data. The size of vector registers has been doubled from 64 bits to 128 bits with the SSE instruction set, and again from 128 bits to 256 bits with the AVX instruction set. Further extensions are expected in the future. Historically, the first processors to support a new register size have often had limited bandwidth for operations on the larger registers. Some or all of the execution units, physical registers, data buses, read ports and write ports have had the size of the previous version, so that an operation on the largest register size must be split into two operations of half the size. The first processors with SSE would split a 128-bit read into two 64-bit reads; and the first processors with AVX would split a 256-bit read into two 128-bit reads. Therefore, there is no increase in bandwidth by using the largest registers on these processors. In some cases, e.g. AMD Bulldozer, there is significant decrease in performance by using the 256-bit registers. Typically, it is not advantageous to use a new register size for moving data until the second generation of processors that support it.

There is a further complication when copying blocks of memory, namely *false memory dependence*. Whenever the CPU reads a piece of data from memory, it checks if it overlaps with any preceding write. If this is the case, then the read must wait for the preceding write to finish or it must do a store forwarding. Unfortunately, the CPU may not have the time to check the full physical address, but only the offset within the memory page, i.e. the lower 12 bits of the address. If the lower 12 bits of the read address overlaps with the lower 12 bits of any unfinished preceding write then the read is delayed. This happens when the source address relative to the destination address is a little less than a multiple of 4 kbytes. This false memory dependence can slow down memory copying by a factor of 3 - 4 in the worst case. The problem can be avoided by copying backwards, from the end to the beginning of the memory block, in the case where there is a false memory dependence. This is of course only allowed when no part of the source and the destination memory blocks truly overlaps.

Prefetching

It is sometimes advantageous to prefetch data items before they are needed, and some manuals recommend this. However, modern processors have automatic prefetching. The processor hardware is constructed so that it can predict which data addresses will be needed next when data items are accessed in a linear manner, both forwards and backwards, and prefetch it automatically. Explicit prefetching is rarely needed. The optimal prefetch strategy is processor specific. Therefore, it is easier to rely on automatic prefetching. Explicit prefetching is particularly bad on Intel Ivy Bridge and AMD Jaguar processors.

Moving data on future processors

We must bear in mind that the code that is written today will run on the processors of tomorrow. Therefore, it is important to optimize for future processors as explained in the section "CPU dispatch strategies" in Manual 1: "Optimizing software in C++". Therefore, I will discuss here which method is likely to be fastest on future processors. First, we can predict that the AVX (and later) instruction set is likely to be supported on all future x86

processors because this instruction set has significant advantages and it can be implemented at low costs. Smaller low power processors with 128-bit execution units can implement a 256-bit instruction as two 128-bit `µops`. All processors with AVX will have reasonably fast unaligned read operations because the AVX instructions have few restrictions on alignment. As the trend goes towards having two read ports, the memory read operations are unlikely to be a bottleneck, even if unaligned. Therefore, we can expect that the unaligned read method (method 4) will be fast on future processors.

Many modern processors have optimized the `REP MOVSB` instruction (method 1) to use the largest available register size and the fastest method, at least in simple cases. But there are still cases where the `REP MOVSB` method is slow, for example for certain misalignment cases and false memory dependence. However, the `REP MOVSB` instruction has the advantage that it will probably use the largest available register size on processors in a more distant future with registers bigger than 256 bits. As instructions with the expected future register sizes cannot yet be coded and tested, the `REP MOVSB` instruction is the only way we can write code today that will take advantage of future extensions to the register size. Therefore, it may be useful to use the `REP MOVSB` instruction for favorable cases of large aligned memory blocks.

It would be useful if CPU vendors provided information in the `CPUID` instruction to help select the optimal code or, alternatively, implemented the best method as microcode in the `REP MOVSB` instruction.

Examples of the abovementioned methods can be found in the function library at www.agner.org/optimize/asmlib.zip. See manual 1: "Optimizing software in C++" for a discussion of automatic CPU dispatching, and for a comparison of available function libraries.

Processor-specific advice on improving memory access can be found in Intel's "IA-32 Intel Architecture Optimization Reference Manual" and AMD's "Software Optimization Guide for AMD64 Processors".

17.10 Self-modifying code (All processors)

The penalty for executing a piece of code immediately after modifying it is approximately 19 clocks for P1, 31 for PMMX, and 150-300 for PPro, P2, P3, PM. The P4 will purge the entire trace cache after self-modifying code. The 80486 and earlier processors require a jump between the modifying and the modified code in order to flush the code cache.

To get permission to modify code in a protected operating system you need to call special system functions: In 16-bit Windows call `ChangeSelector`, in 32-bit and 64-bit Windows call `VirtualProtect` and `FlushInstructionCache`. The trick of putting the code in a data segment doesn't work in newer systems.

Self-modifying code is not considered good programming practice. It should be used only if the gain in speed is substantial and the modified code is executed so many times that the advantage outweighs the penalties for using self-modifying code.

Self-modifying code can be useful for example in a math program where a user-defined function has to be evaluated many times. The program may contain a small compiler that converts the function to binary code.

18 Measuring performance

18.1 Testing speed

Many compilers have a profiler which makes it possible to measure how many times each function in a program is called and how long time it takes. This is very useful for finding any hot spot in the program. If a particular hot spot is taking a high proportion of the total execution time then this hot spot should be the target for your optimization efforts.

Many profilers are not very accurate, and certainly not accurate enough for fine-tuning a small part of the code. The most accurate way of testing the speed of a piece of code is to use the so-called time stamp counter. This is an internal 64-bit clock counter which can be read into `EDX:EAX` using the instruction `RDTSC` (read time stamp counter). The time stamp counter counts at the CPU clock frequency so that one count equals one clock cycle, which is the smallest relevant time unit. Some overclocked processors count at a slightly different frequency.

The time stamp counter is very useful because it can measure how many clock cycles a piece of code takes. Some processors are able to change the clock frequency in response to changing workloads. However, when searching for bottlenecks in small pieces of code, it is more informative to measure clock cycles than to measure microseconds.

The resolution of the time measurement is equal to the value of the clock multiplier (e.g. 11) on Intel processors with SpeedStep technology. The resolution is one clock cycle on other processors. The processors with SpeedStep technology have a performance counter for unhalted core cycles which gives more accurate measurements than the time stamp counter. Privileged access is necessary to enable this counter.

On all processors with out-of-order execution, you have to insert `XOR EAX, EAX / CPUID` before and after each read of the counter in order to prevent it from executing in parallel with anything else. `CPUID` is a serializing instruction, which means that it flushes the pipeline and waits for all pending operations to finish before proceeding. This is very useful for testing purposes.

The biggest problem when counting clock ticks is to avoid interrupts. Protected operating systems do not allow you to clear the interrupt flag, so you cannot avoid interrupts and task switches during the test. This makes test results inaccurate and irreproducible. There are several alternative ways to overcome this problem:

1. Run the test code with a high priority to minimize the risk of interrupts and task switches.
2. If the piece of code you are testing is not too long then you may repeat the test several times and assume that the lowest of the clock counts measured represents a situation where no interrupt has occurred.
3. If the piece of code you are testing takes so long time that interrupts are unavoidable then you may repeat the test many times and take the average of the clock count measurements.
4. Make a virtual device driver to clear the interrupt flag.
5. Use an operating system that allows clearing the interrupt flag (e.g. Windows 98 without network, in console mode).
6. Start the test program in real mode using the old DOS operating system.

I have made a series of test programs that use method 1, 2 and possibly 6. These programs are available at www.agner.org/optimize/testp.zip.

A further complication occurs on processors with multiple cores if a thread can jump from one core to another. The time stamp counters on different cores are not necessarily synchronized. This is not a problem when testing small pieces of code if the above precautions are taken to minimize interrupts. But it can be a problem when measuring longer time intervals. You may need to lock the process to a single CPU core, for example with the function `SetProcessAffinityMask` in Windows. This is discussed in the document "Game Timing and Multicore Processors", Microsoft 2005 <http://msdn.microsoft.com/en-us/library/ee417693.aspx>.

You will soon observe when measuring clock cycles that a piece of code always takes longer time the first time it is executed where it is not in the cache. Furthermore, it may take two or three iterations before the branch predictor has adapted to the code. The first measurement gives the execution time when code and data are not in the cache. The subsequent measurements give the execution time with the best possible caching.

The alignment effects on the PPro, P2 and P3 processors make time measurements very difficult on these processors. Assume that you have a piece code and you want to make a change which you expect to make the code a few clocks faster. The modified code does not have exactly the same size as the original. This means that the code below the modification will be aligned differently and the instruction fetch blocks will be different. If instruction fetch and decoding is a bottleneck, which is often the case on these processors, then the change in the alignment may make the code several clock cycles faster or slower. The change in the alignment may actually have a larger effect on the clock count than the modification you have made. So you may be unable to verify whether the modification in itself makes the code faster or slower. It can be quite difficult to predict where each instruction fetch block begins, as explained in manual 3: "The microarchitecture of Intel, AMD and VIA CPUs".

Other processors do not have serious alignment problems. The P4 does, however, have a somewhat similar, though less severe, effect. This effect is caused by changes in the alignment of μ ops in the trace cache. The time it takes to jump to the least common (but predicted) branch after a conditional jump instruction may differ by up to two clock cycles on different alignments if trace cache delivery is the bottleneck. The alignment of μ ops in the trace cache lines is difficult to predict.

Most x86 processors also have a set of so-called performance monitor counters which can count events such as cache misses, misalignments, branch mispredictions, etc. These are very useful for diagnosing performance problems. The performance monitor counters are processor-specific. You need a different test setup for each type of CPU.

Details about the performance monitor counters can be found in Intel's "IA-32 Intel Architecture Software Developer's Manual", vol. 3 and in AMD's "BIOS and Kernel Developer's Guide".

You need privileged access to set up the performance monitor counters. This is done most conveniently with a device driver. The test programs at www.agner.org/optimize/testp.zip give access to the performance monitor counters under 32-bit and 64-bit Windows and 16-bit real mode DOS. These test program support the different kinds of performance monitor counters in most Intel, AMD and VIA processors.

Intel and AMD are providing profilers that use the performance monitor counters of their respective processors. Intel's profiler is called Vtune and AMD's profiler is called CodeAnalyst.

18.2 The pitfalls of unit-testing

If you want to find out which version of a function performs best then it is not sufficient to measure clock cycles in a small test program that calls the function many times. Such a test is unlikely to give a realistic measure of cache misses because the test program may use less memory than the cache size. For example, an isolated test may show that it is advantageous to roll out a loop while a test where the function is inserted in the final program shows a large amount of cache misses when the loop is rolled out.

Therefore, it is important not only to count clock cycles when evaluating the performance of a function, but also to consider how much space it uses in the code cache, data cache and branch target buffer.

See the section named "The pitfalls of unit-testing" in manual 1: "Optimizing software in C++" for further discussion of this problem.

19 Literature

The present manual is part of a series available from www.agner.org/optimize as mentioned in the introduction on page 4. See manual 3: "The microarchitecture of Intel, AMD and VIA CPUs" of a list of relevant literature on specific processors.

A lot of other sources also have useful information. These sources are listed in the FAQ for the newsgroup comp.lang.asm.x86. For other internet resources follow the links from www.agner.org/optimize.

Some useful books:

R. C. Detmer: Introduction to 80x86 Assembly Language and Computer Architecture, 2'nd ed. Jones & Bartlett, 2006. Jones & Bartlett, 2006.
Good introduction to assembly programming

J. L. Hennessy and D. A. Patterson: Computer Architecture: A Quantitative Approach, 3'rd ed. 2002.
Good textbook on computer architecture and microarchitecture

John R. Levine: Linkers and Loaders. Morgan Kaufmann, 2000.
Explains how linkers and loaders work

Henry S. Warren, Jr.: "Hacker's Delight". Addison-Wesley, 2003.
Contains many bit manipulation tricks

20 Copyright notice

This series of five manuals is copyrighted by Agner Fog. Public distribution and mirroring is not allowed. Non-public distribution to a limited audience for educational purposes is allowed. The code examples in these manuals can be used without restrictions. A GNU Free Documentation License shall automatically come into force when I die. See www.gnu.org/copyleft/fdl.html.