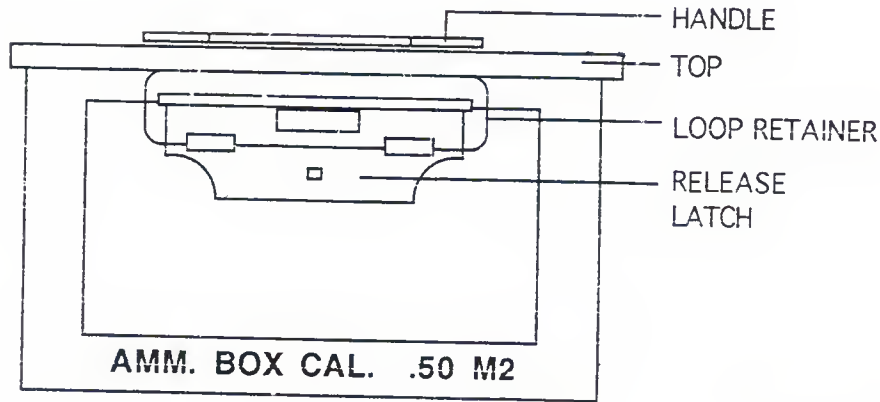
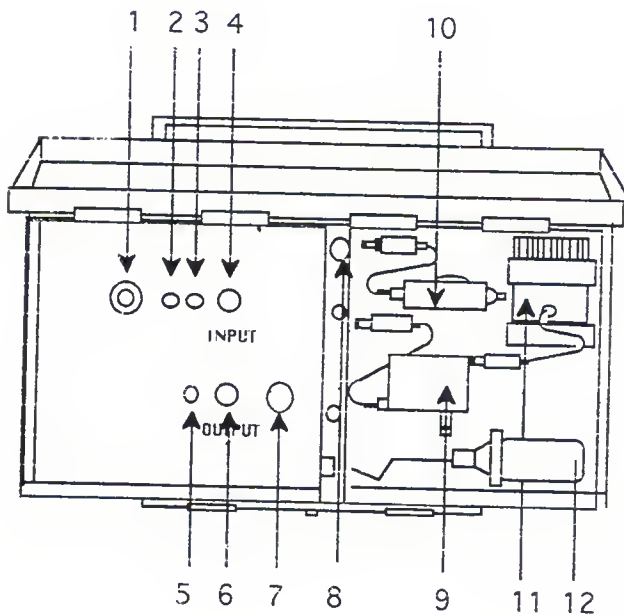


Consci 6/12 Portable PowerPack



DESCRIPTION OF FEATURES AND CONTROLS



1. ROTARY SWITCH (4 positions)
 - OFF : Charge/monitor circuit off
 - CHARGE: Activates charger circuit. Use with input adapters (#9 or 10)
 - 12 V : 12 V @ OUTPUT jack
 - Battery monitor on
 - 6 V : 6 V @ OUTPUT jack
2. RED LED - Indicates rapid charging mode
3. GREEN LED - Indicates full charge/ready
- Trickle charge mode
4. INPUT JACK - Plug in adapter (#9 or 10) to recharge
5. YELLOW LED - Battery monitor (12V only)
 - On indicates battery charged
 - Blinking indicates needs recharge
6. OUTPUT JACK - 2.5x5.5mm DC power plug
 - Positive tip
7. FUSE - 10 amp 1 1/4 x 1/4 glass fuse
8. SPARE FUSE HOLDER - Spare fuse
9. 120VAC CHARGING ADAPTER
10. CIGARETTE LIGHTER 12VDC CHARGING ADAPTER
11. PLUG IN 12 VOLT LIGHT with magnetic base
12. CIGARETTE SOCKET OUTPUT

First things first

Using the 6/12 PortablePowerPack

1. Please read instruction manual before operating unit.
2. Save instructions for future reference.
3. Pay attention and adhere to warnings and cautions.
4. Follow instructions.

Inspection and accessories

1. Open the unit by flipping out the hinged release latch tab on the front of the box and sliding the wire loop retainer forward. Lift lid. (See drawing on flip side)
2. List of materials:
 - a. 6/12 PPP unit mounted in ammo box
 - b. 120VAC/ 12VDC 1A wall transformer in box
 - c. 12VDC Cigarette plug charging adapter
 - d. Instruction manual
 - e. Spare fuse mounted in fuse holder
 - f. 12Volt adjustable spotlight with magnetic base
3. Check to see you have everything and that there is no damage.
4. Read instruction manual before using.
5. The unit must be fully recharged before using.

Recharging the unit

From 120VAC source

1. Make sure PPP switch (1) is in OFF position
2. Plug DC power plug of wall transformer (9) into INPUT jack (4) on PPP unit.
3. Plug wall transformer (9) into active 120VAC outlet.
4. Turn PPP switch (1) to CHARGE.
5. Red (2) or green (3) LED should come on, indicating charging is proceeding.
6. Go read instruction manual before using.

From 12VDC source

0. The vehicle/ boat/ 12VDC source must be negative ground. You must have a cigarette lighter jack to plug into.
1. Make sure PPP switch (1) is on OFF position.
2. Plug DC plug of cigarette adapter (10) into INPUT jack (4) on PPP unit.
3. Plug cigarette lighter adapter (10) into lighter jack. Make sure adapter is fully inserted into jack and that cigarette jack is on (on some vehicles engine must be running).
4. Turn PPP switch (1) to CHARGE.
5. Red (2) or green (3) LED should come on, indicating charging is proceeding.
6. Go read instruction manual before using.